



COVER PAGE

Bid Proposal #2429

MACARTHUR DRIVE RODWAY LIGHTING IMPROVEMENTS PHASE 5-(MATERIAL PACKAGE)

Sealed bids and electronic submitted bids for the above will be received until **10:00 AM CDT, Tuesday, June 13, 2023**, and publicly opened in the City of Alexandria Council Chambers or Council Committee Room.

Please file bid by one of the following means:

Hand-Delivered or Express Delivery:

**Attention: Donna Jones, City Clerk
City of Alexandria - City Hall
915 Third Street, First Floor
Alexandria, LA 71301
Phone: 318-449-5090**

Mailed via USPS:

**Attention: Donna Jones, City Clerk
City of Alexandria - City Hall
PO Box 71
Alexandria, LA 71309-0071**

Electronic Bid Submission: Central Bidding

Pursuant to Louisiana R.S. 38:2212 B.(6)(a) through E. (1-7) and R.S. 38:2212.1 B.(4)(a), vendors/contractors have the option to submit their bids and bid bonds electronically. Bids and bonds to be filed electronically shall be posted with **Central Bidding** at www.centrauctionhouse.com (phone 1-225-810-4814). Registration will need to be completed prior to posting of bid.

Complete bid specifications are available for viewing and downloading at the City of Alexandria's website www.cityofalexandrialala.com ; on the left hand side of the opening page, go to the heading "Business" then drop down to "RFP/RFQ/Bids"; the current bids will be listed for your convenience.

City of Alexandria Buyer Name:	<u>Joann Swain, Senior Buyer</u>
Phone Number:	<u>(318) 441-6182</u>
Fax Number:	<u>(318) 619-3412</u>
E-Mail Address:	<u>joann.swain@cityofalex.com</u>



Wilma Kelly
Purchasing Manager

City of Alexandria
Purchasing Department
P.O. Box 71
Alexandria, Louisiana
71309-0071



Office: (318) 441-6180
Fax: (318) 441-6185

Sealed bids will be received until **10:00 AM, Tuesday, June 13, 2023**, and publicly opened in the Council Chambers or Council Committee Room.

City of Alexandria Bid #**2429**
Page: 1 of 10
Date Specifications Prepared: April 10, 2023

Bid Bond Requirements: A bid bond or check for N/A% of the total amount of bid.

Performance Bond Requirements: In the event bid is accepted, a performance bond shall be required in the amount of N/A%.

Please file bid with the following:

Donna Jones, City Clerk
City of Alexandria - City Hall
915 Third Street
P.O. Box 71
Alexandria, LA 71309-0071
Phone: 318-449-5090

INTRODUCTION

MACARTHUR DRIVE ROADWAY LIGHTING IMPROVEMENTS PHASE 5
(MATERIAL PACKAGE)

It is the intent of the City of Alexandria to secure pricing on MACARTHUR DRIVE ROADWAY LIGHTING IMPROVEMENTS PHASE 5 (MATERIAL PACKAGE ONLY), for use by the City of Alexandria Electric Distribution Department for the purpose of future installation along MacArthur Drive.

All products shall be new and of current model year manufacture. Quoted prices shall be for a complete unit ready for use. Each unit shall be equipped with the manufacturer's equipment and accessories which are included as "standard" in the advertised and published literature for the unit. No such item of equipment shall be removed or omitted for the reason that it was not specified in the bid documents.

Bid prices shall remain in effect for a period of ninety (90) days from bid award date. No quantities are guaranteed.

All bid prices shall include any and all freight charges. All products are to be shipped F.O.B., freight pre-paid, to the City of Alexandria Electric Production Department, to the attention of Michael Marcotte, 1015 N. Third Street, Alexandria, LA 71301, phone 318-449-5010.

Completed bid packet should be returned as issued by the City of Alexandria with ALL PAGES intact and all specification response columns filled in. Incomplete columns or missing pages, to include addendum pages, may result in the bidder's (proposer's) entire bid being rejected.

Questions and/or clarifications of bid specifications are to be in written form only, either mailed, faxed, or e-mailed to the attention of Michael Marcotte, City of Alexandria – Director of Utilities, P.O. Box 71, Alexandria, LA 71309-0071; Fax #318-449-5010; e-mail Michael.marcotte@cityofalex.com ; and must be received by close of business on **Thursday, June 1, 2023.**

**CITY OF ALEXANDRIA BID SPECIFICATIONS FOR:
MACARTHUR DRIVE ROADWAY LIGHTING IMPROVEMENT PHASE 5**

GENERAL CONDITIONS FOR BIDDERS - PLEASE READ CAREFULLY

1. Pursuant to LA R.S 38:2212.1. C.(1)(2), any manufacturer's preference in this proposal is descriptive, but non-restrictive, and is used only to indicate minimum requirement for type, grade and quality unless otherwise specified.
2. Pursuant to LA R.S. 38:2212 B.(1), the provisions and requirement of this bid shall not be considered as informalities and shall not be waived by the City of Alexandria. Therefore, conditions and specifications on this bid form shall be strictly enforced and any and all alterations, deviations, and non-compliance to said conditions and specifications, either on the bid form or by separate attachment, shall be grounds for immediate disqualification.
3. Preference shall be given to bidders quoting F.O.B. Destination (the City of Alexandria using department), FREIGHT PREPAID, unless otherwise requested.
4. Each bidder shall submit his proposal on the proposal form furnished by the City of Alexandria Purchasing Department. The complete bid package must be returned as issued by the City with all pages intact and all specification response columns filled in. Incomplete columns or missing pages, to include addendum pages, shall result in the vendor's entire bid package being rejected.
5. Literature, brochures, and other related paperwork attached to the bid should be identified with the name of the bidder and bid item number.
6. In case of a mathematical discrepancy between unit price and extensions, the unit price shall prevail.
7. Pursuant to LA R.S. 38:2212 F., the bid specifications may contemplate a fixed escalation or de-escalation in accordance with the United States Bureau of Labor Statistic's Consumer Price Index or the Producer Price Index. Bids based on specifications which are subject to a recognized escalation index shall be legal and valid for any item of a public work, at the discretion of the City.
8. Pursuant to LA R.S. 38:2212.1. F., any public procurement unit may participate in a cooperative purchasing agreement with the City of Alexandria to acquire quantities of the above listed items under a contract with the City of Alexandria for items awarded by public bid, pursuant to the cooperative purchasing provisions of Part VII of Chapter 17 of Subtitle III of Title 39 of the Louisiana Revised Statutes of 1950, R.S. 39:1701 et seq.
9. The City of Alexandria reserves the right to award by item or by total bid, unless otherwise specified in the bid specifications. (Price(s) should be itemized.)
10. All erasures or corrections on the bid form must be initialed and the City of Alexandria may rely on the apparent authority represented by the initials.
11. The City of Alexandria reserves the right to reject for cause any and all bids or parts of bids, or accept bids most beneficial to the City.

**CITY OF ALEXANDRIA BID SPECIFICATIONS FOR:
MACARTHUR DRIVE ROADWAY LIGHTING IMPROVEMENT PHASE 5**

General Conditions for Bidders - Please Read Carefully (Continued)

12. Any bid submitted which contains additions, conditional or alternate bids, or irregularities which may make the proposal incomplete, indefinite, or ambiguous as to its meaning, thus requiring clarification after the specified date and time of bid opening shall be rejected.
13. Bids shall be opened publicly in the City Council Chambers or Council Committee Room.
14. Cash discounts may be accepted, but SHALL NOT be considered in making award.
15. Regarding a bid for purchase of materials, supplies or services, not to include construction of any public works, a written notice of acceptance mailed or otherwise furnished to the successful bidder shall result in a binding contract without further action by either party.
16. When any bid is accepted for the construction or doing of any public works, a written contract shall be executed by and between the City of Alexandria and the Contractor. No contract shall be binding upon the City until it has been executed by the City and delivered to the successful bidder. Should the bidder to whom the contract is awarded fail to execute the contract, the award shall then be made to the next lowest responsible bidder, or re-advertised for public bid, said decision to be in the sole judgment of the City of Alexandria. This action may result in the loss of bidding privileges for a period of one (1) year.
17. The City of Alexandria shall schedule for payment the invoices for articles or services purchased under this bid within thirty (30) days after due and proper delivery accompanied by invoice.
18. The City of Alexandria is exempt from all sales taxes. A sales tax exempt form shall be furnished by the City of Alexandria Purchasing Department, if requested.
19. Bidder(s) awarded item(s) by the City of Alexandria shall be responsible for supplying all products at the awarded price(s). Failure may result in the City's cancellation of the remaining items awarded.
20. Regarding Service Contracts and Procurement Contracts, the terms of the contract shall be binding upon any and all parties involved until goods and supplies are delivered, services have been rendered, and/or work has been completed and accepted by the Mayor on behalf of the City of Alexandria and all payments required to be made to the Contractor have been made. However, a contract may be terminated under any and all of the following conditions:
 - (a) By mutual agreement and consent of either party upon thirty (30) days written notice to the other party;
 - (b) By the Mayor, on behalf of the City of Alexandria, as a consequence of the failure of the Contractor to comply with the terms and conditions of the contract or the progress or quality of work to be performed in a satisfactory manner, proper allowance being made for circumstances beyond the control of the Contractor; or
 - (c) By satisfactory completion of all services and obligations described in the contract.

**CITY OF ALEXANDRIA BID SPECIFICATIONS FOR:
MACARTHUR DRIVE ROADWAY LIGHTING IMPROVEMENT PHASE 5**

General Conditions for Bidders - Please Read Carefully (Continued)

If the contract is terminated for any of the terms and conditions authorized in sub-paragraph (b) above, Contractor shall be formally notified in writing by the City of Alexandria Purchasing Department by means of certified mail informing him of cancellation of the contract, giving specific reasons for said cancellation. Contractor shall have the right to appeal to the City Council within ten (10) days from the date that said notification is placed in the U.S. Mail. Contractor's appeal shall be accomplished by means of a letter addressed to the City Council and delivered to the City Clerk, stating that an appeal to the decision of cancellation is desired. The City Council shall thereafter hold a hearing on the appeal, giving all parties the opportunity to present any and all evidence concerning the decision of cancellation. After hearing the appeal, the city Council may, by a majority vote, sustain, modify, or reverse the findings for said decision and shall provide, if requested by Contractor, a written determination of its findings.

21. Contractors submitting bids for Public Works construction projects in excess of \$1.00 must show his Contractor's License Number on the front of the bid envelope, except for certain projects for which a Contractor's License Number is not required by the State Contractor's Licensing Board. Failure to comply with this directive shall result in automatic bid rejection, furthermore, any Contractor who submits a bid for a type of construction for which he is not properly licensed shall be acting in violation of LA R.S. 37:2163, and shall be subject to all provisions for violation and penalties thereof. Contractors who are owned by, and are submitting a bid as a subsidiary of a parent company, whose name is listed in the State of Louisiana's Roster of Licensed Contractors, may do so by including a letter of proof of ownership from the parent company with the submitted bid package. The letter must be signed as per LA R.S. 38:2212 B.(5)(a)(b)(c) (see Item #22 below).

22. All bids submitted via USPS (registered or certified), overnight courier or hand delivered, shall be signed by hand and in ink by an authorized company representative per LA R.S. 38:2212 B.(5)(a)(b)(c), which states:

(c)(i) Evidence of agency, corporate, or partnership authority shall be required for submission of a bid to the division of administration or the State of Louisiana. The authority of the signature of the person submitting the bid shall be deemed sufficient and acceptable if any of the following conditions are met:

(aa) The signature on the bid is that of any corporate officer listed on the most current annual report on file with the Secretary of State, or the signature on the bid is that of any member of a partnership or partnership in commendam listed in the most current partnership records on file with the Secretary of State.

(bb) The signature on the bid is that of an authorized representative of the corporation, partnership, or other legal entity and the bid is accompanied by a corporate resolution, certification as to the corporate principle, or other documents indicating authority which are acceptable to the public entity.

(cc) The corporation, partnership, or other legal entity has filed in the appropriate records of the Secretary of State in which the public entity is located, an affidavit, resolution, or other acknowledged or authentic document indicating the names of all parties authorized to submit bids for public contracts. Such document on file with the Secretary of State shall remain in effect and shall be binding upon the principal until specifically rescinded and canceled from the records of the office.

**CITY OF ALEXANDRIA BID SPECIFICATIONS FOR:
MACARTHUR DRIVE ROADWAY LIGHTING IMPROVEMENT PHASE 5**

General Conditions for Bidders - Please Read Carefully (Continued)

23. In-State preferences shall not apply to procurements involving federal funds.
24. Pursuant to LA R.S. 38:2212 O.(2)(a)(b), any modifications of plans and specifications will be made through an addendum. No addendum shall be issued within seventy-two (72) hours of the bid opening, excluding weekends and legal holidays, without the extension of the bid opening date. An extension of at least seven (7) but no more than thirty (30) working days is required but, re-advertising is not required. The addendum shall be transmitted by any one of the following methods: (1) facsimile transmission; (2) e-mail; (3) by hand; or (4) posted on the City of Alexandria's website (www.cityofalexandria.com) and posted on Central Bidding's website (www.centralauctionhouse.com) if applicable.
25. All Federal Transit Administration (FTA) funded procurements, including operating assistance funding contracts, are to follow the Master Agreement, to include all applicable federal clauses.
- a. Any bidder that is found listed on the Federal Government's *System for Award Management* (SAM) website, at www.sam.gov/portal/sam, under the advanced search feature for *Excluded Parties List System* (EPLS), shall automatically be rejected for the award of this bid, by Category and/or in its entirety. This applies to any portion of the bid that is a procurement funded by FTA.
26. Under the City's *AFEAT (Alexandria Fairness, Equality, Accessibility, and Teamwork Program)*, participation by minority and/or disadvantaged business enterprise firms is encouraged. Inquiries about the *AFEAT* Program should be directed to the Division of Finance. As a part of its RFP response, each Bidder **shall** submit documentation of its bona fide effort to secure subcontractors that meet the City's *AFEAT* goals. Each bidder **shall** also submit proof of engagement of any subcontractor selected because of its solicitations. The Bidder's bona fide efforts and engagement(s) are a consideration in bid review and rating.

**CITY OF ALEXANDRIA BID SPECIFICATIONS FOR:
MACARTHUR DRIVE ROADWAY LIGHTING IMPROVEMENT PHASE 5**

Alexandria Fairness, Equality, Accessibility and Teamwork Program (AFEAT)

Dear Vendor:

Under the City's *AFEAT (Alexandria Fairness, Equality, Accessibility, and Teamwork Program)*, participation by minority and/or disadvantaged business enterprise firms is encouraged. The AFEAT Program should be inquired about through the Division of Finance. The goals for qualifying disadvantaged, minority and female owned business in the use of professional service agreements with prime contractors will help effectuate the goals of increasing: the competitive viability of small business, minority, and women business enterprise by providing contract, technical, educational, and management assistance; business ownership by small business persons, minority persons, and women (including professional service opportunities); and the procurement by the City of professional services, articles, equipment, supplies, and materials from business concerns owned by small business concerns, minority persons, and women.

Prime contractors offering subcontracting should take specific action to ensure that a bona fide effort is made to achieve maximum results towards meeting the established goals. Primes shall document efforts and shall implement steps at least as extensive as the following in a good faith effort to reach or exceed the established goals:

- A. *Establish and maintain a current list of minority and female owned businesses in Alexandria, in Rapides Parish, and in the State of Louisiana.*
- B. *Document and maintain a record of all solicitations of offers for subcontracts from minority or female construction contractor and suppliers in Alexandria, in Rapides Parish, and in the State of Louisiana.*
- C. *Secure listing of minority and women owned businesses from the City of Alexandria Purchasing Department, the Central Louisiana Business Incubator, and the State of Louisiana Department of Minority Affairs.*
- D. *Participate in associations which assist in promoting minority and women owned businesses such as the Central Louisiana Business League, the Central Louisiana Business Incubator, and the Entrepreneurial League System.*
- E. *Designate a responsible official to monitor all activity made in the effort to achieve or exceed the established goals; record contacts made, subcontracts entered into with dollar amounts, and other relevant information.*

For more information on AFEAT and the City of Alexandria's Diversity in Action Initiative, and to explore a local and statewide directory of minority businesses, please visit www.diversityinaction.org . Should you have any questions or comments, please do not hesitate to contact our Finance Department at 318-449-5091 or our Purchasing Department at 318-441-6180.

As a part of its RFP response, each Bidder ***shall*** submit documentation of its bona fide effort to secure subcontractors that meet the City's AFEAT goals. Each bidder ***shall*** also submit proof of engagement of any subcontractor selected because of its solicitations. The Bidder's bona fide efforts and engagement(s) are a consideration in bid review and rating.

Sincerely,

City of Alexandria

**CITY OF ALEXANDRIA BID SPECIFICATIONS FOR:
MACARTHUR DRIVE ROADWAY LIGHTING IMPROVEMENT PHASE 5**

BID SPECIFICATIONS

SCOPE: The following bid specifications are to be used as minimum and maximum standards for MACARTHUR DRIVE ROADWAY LIGHTING PROJECT PHASE 5- MATERIALS ONLY, for use by The City of Alexandria Electric Distribution Department for the purpose of lighting a roadway. All quoted products shall either meet or exceed the following specifications.

Unless otherwise stated, the use of manufacturer's name and product numbers are for descriptive purposes and to establish general quality levels only, they are not intended to be restrictive.

Prospective bidders are required to state exactly what they intend to furnish, otherwise, it is fully understood that they shall furnish all items as stated. Bidder should indicate in the space provided below, under "*Bidder's Response*:", the necessary information to indicate he/she is conforming with the bid specifications for each item as written. If Bidder is in complete compliance with each bid specification item as written, please write "Comply" in the space provided; if not, please indicate in this space, the necessary information on the product you are proposing. Each specification response is necessary to ensure the proper evaluation and tabulation of this bid. If each "*Bidder's Response*" section is not filled in or completed, your bid may be rejected.

=====

Bidder's Response:

1.0 General:

1.1 No bid may be withdrawn for at least thirty (30) days after the scheduled closing time for the receipt of bids. Quoted prices shall remain firm until product(s) have been accepted by the City of Alexandria as delivered.

1.2 Products shall be new, un-used, and of current model year manufacture.

1.3 Where applicable, quotes for "optional" equipment shall be listed in the appropriate spaces provided on the bid specifications "Price Page". Option quotes shall not be a basis for bid award and shall not be included in the total bid price.

1.4 **All products shall be delivered F.O.B., freight pre-paid,**
City of Alexandria Electric Distribution, 1015 N. Third Street,
Alexandria, LA 71303.

1.5 Each respective bidder shall be responsible for insuring that his/her product meets or exceeds specifications as described herein.

**CITY OF ALEXANDRIA BID SPECIFICATIONS FOR:
MACARTHUR DRIVE ROADWAY LIGHTING IMPROVEMENT PHASE 5**

Bid Specifications (Continued)

Bidder's Response:

2.0 Product Warranty:

- 2.1 Successful bidder should furnish complete warranty information for product(s) being quoted, to include all sub-contracted components installed by vendor as well as vendor warranted components.
-

3.0 Product Specifications:

3.1 DOUBLE ARM ROADWAY LIGHTING POLE ASSEMBLY - QUANTITY (49)

Valmont #380860106T4, KW #RTAT39-10.0-7-BA-215CL-ATB-17-VDP-W/ (2) ATA32-15-2-BA-CL, P&K Tubular Products, Inc. #RTB0M42.53W25, Hapco #TA40F1CFT2E-01, General Structures, Inc. #HPA-2-40215-SATIN-TB3-17, or equal, round tapered 6063-T6 aluminum pole for nominal 40' mounting height, with brushed satin finish, 0.250" wall thickness, 6" top diameter and 10" butt diameter, double aluminum truss type arms (15' span x 39" rise), FHWA approved 356-T6 cast aluminum breakaway transformer base, four 1" x 8" x 36" galvanized steel anchor bolts, hex nuts, washers, and leveling nuts (leveling shims not accepted), required transformer base and truss arm mounting hardware, and 100 mph rating.

3.2 ROADWAY LUMINAIRE - QUANTITY (98)

American Electric Lighting #ATBL-A-480-R2-NR, GE #ERL2-H-19-B3-40-D-GRAY-I-L, Philips Lumec #RFL-160W96LED4K-G2-R2M-HVU-GY3, Eaton Streetworks #NVN-AF-03-E-8-T2-10K, Leotek #GCL2-60G-HV-NW-2R-GY-800-LPCR, or equal, pole mounted roadway lighting fixture with gray finished cast aluminum housing, glass lens, tool-less entry, IP66 rating, type 2 distribution, 170 watt led array, 19,000 lumen output at 4000k, and 480 volt driver. Luminaires shall perform at minimum L70 standard for 100,000 hours. Five-year warranty shall be standard.

**CITY OF ALEXANDRIA BID SPECIFICATIONS FOR:
MACARTHUR DRIVE ROADWAY LIGHTING IMPROVEMENT PHASE 5**

PRICE PAGE

Bid price for **MacArthur Drive Roadway Lighting Improvements Phase 5**, new and unused, complete unit ready for use, delivered F.O.B., freight pre-paid, as per the bid specifications:

Bid Price, Item 3.1 \$ _____ **/per each x 49 =** _____

Manufacturer's Brand Name: _____ **Model No.:** _____

Bid Price, Item 3.2 \$ _____ **/per each x 98 =** _____

Manufacturer's Brand Name: _____ **Model No.:** _____

=====

Bidder Information:

Company Name: _____

Address: _____

City/State/Zip: _____

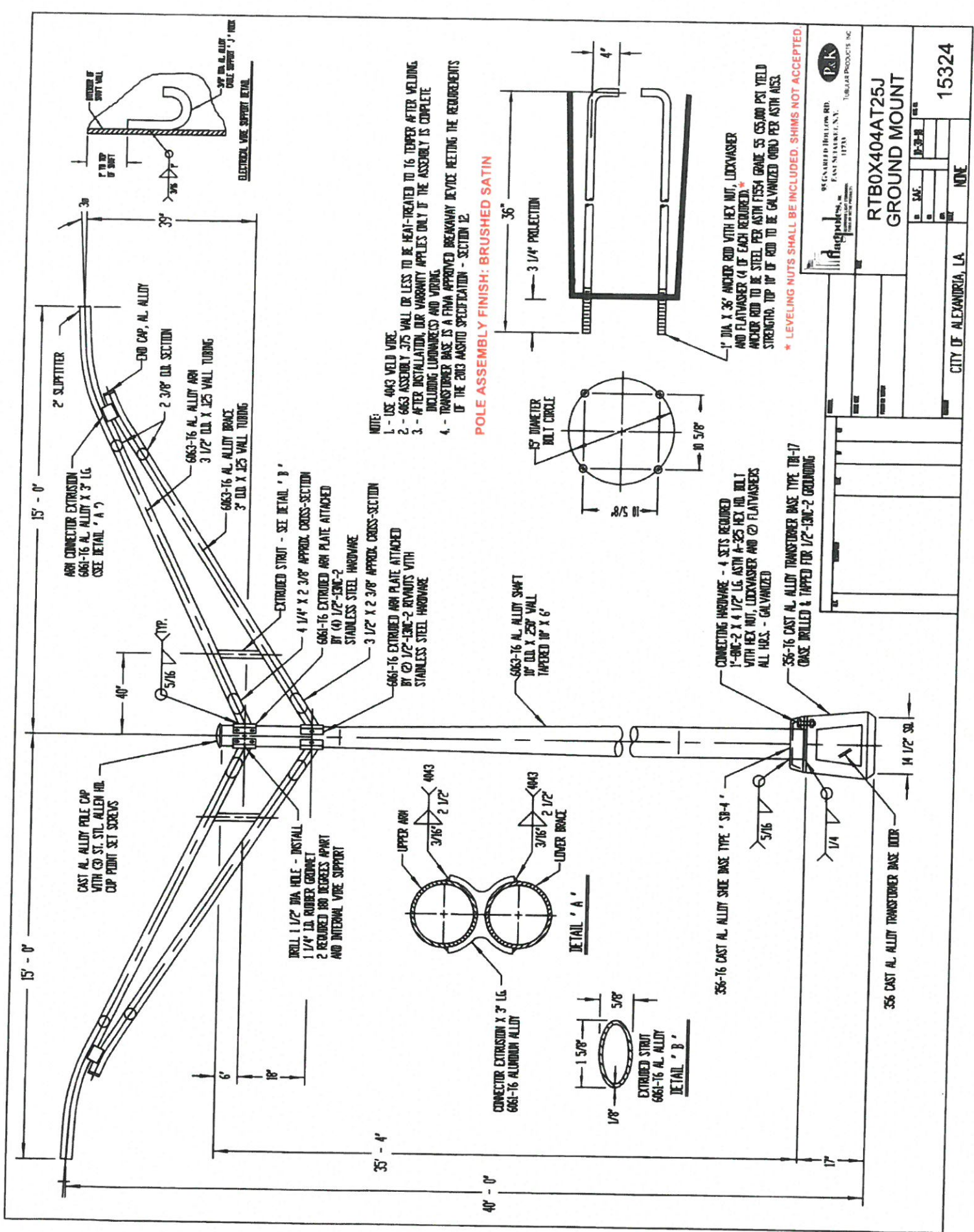
Telephone #: (_____) _____ Fax #: (_____) _____

Email _____

Authorized Printed Name and Title: _____

Authorized Signature: _____

(Per LA R.S. 38:2212(A)(c)(i) - See General Conditions Item #22, Page 4 of these bid specifications.)



- NOTE:**
- 1 - USE 4043 WELD WIRE.
 - 2 - 6663 ASSEMBLY .375 WALL TO BE HEAT-TREATED TO T6 TEMPER AFTER WELDING.
 - 3 - AFTER INSTALLATION, OUR WARRANTY APPLIES ONLY IF THE ASSEMBLY IS COMPLETE INCLUDING LUBRICANTS AND WIRING.
 - 4 - TRANSFORMER BASE IS A FINA APPROVED BREAKAWAY DEVICE MEETING THE REQUIREMENTS OF THE 2003 MANSITO SPECIFICATION - SECTION 12.

POLE ASSEMBLY FINISH: BRUSHED SATIN

1" DIA. X 36" ANCHOR ROD WITH HEX NUT, LOCKWASHER AND FLATWASHER (4 OF EACH REQUIRED). ANCHOR ROD TO BE STEEL PER ASTM F1554 GRADE 55 (55,000 PSI YIELD STRENGTH). TOP 10" OF ROD TO BE GALVANIZED OR PER ASTM A653.

* LEVELING NUTS SHALL BE INCLUDED. SHIMS NOT ACCEPTED.

REGARDED HOLLOW RD. EAST NEWARK, N.J. 07105
P&K
 TUBULAR PRODUCTS, INC.

RTB0X404AT25J
 GROUND MOUNT

CITY OF ALEXANDRIA, LA

15324

NOTE

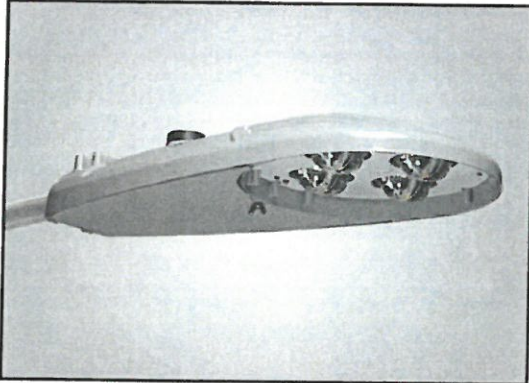


Consistent with LEED® goals & Green Globes™ criteria for light pollution reduction



Autobahn Series ATBL Roadway

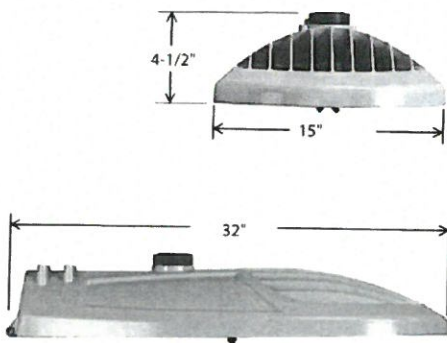
PRODUCT OVERVIEW



Applications:

Residential streets
Parking lots
High speed roadways

DIMENSIONS



Effective Projected Area (EPA)
The EPA for the ATBL is 0.75 sq. ft.,
Approx. Wt = 30 lbs. (13.6 kg)

STANDARDS

DesignLights Consortium® (DLC) qualified product. Not all versions of this product may be DLC qualified. Please check the DLC Qualified Products List at www.designlights.org/QPL to confirm which versions are qualified.

Color temperatures of $\leq 3000\text{K}$ must be specified for International Dark-Sky Association certification.

Rated for -40°C to 40°C ambient

CSA Certified to U.S. and Canadian standards

Complies with ANSI: C136.2, C136.10, C136.14, C136.31, C136.15, C136.37

BUY AMERICAN ACT — Product with the BAA option is assembled in the USA and meets the Buy America(n) government procurement requirements under FAR, DFARS and DOT regulations. Please refer to www.acuitybrands.com/buy-american for additional information.

Note: Specifications subject to change without notice. Actual performance may differ as a result of end-user environment and application.

Features:

OPTICAL

Same Light: Performance is comparable to 250W – 400W HPS.

White Light: Correlated color temperature - 4000K, 70 CRI minimum, 3000K, 70 CRI minimum or optional 5000K, 70 CRI minimum.

IP66 rated borosilicate glass optics ensure longevity and minimize dirt depreciation. Unique IP66 rated LED light engines provide 0% uplight and restrict backlight to within sidewalk depth, providing optimal application coverage and optimal pole spacing.

Available distributions are Type II, IIN, III, IV, V roadway distributions.

ELECTRICAL

Expected Life: LED light engines are rated $>100,000$ hours at 25°C , L70.

Electronic driver has an expected life of 100,000 hours at a 25°C ambient.

Lower Energy: Saves an expected 40-60% over comparable HID luminaires.

Robust Surge Protection: Three different surge protection options provide a minimum of ANSI C136.2 10kV/5kA protection. 20kV/10kA protection is also available.

Luminaire ships with a 0-10v dimmable driver. Luminaire is continuous and step dimming capable via AO option or controls installed on P7 photocontrol receptacle option.

MECHANICAL

Includes standard AEL lineman-friendly features such as tool-less entry, 3 station terminal block and quick disconnects. Bubble level located inside the electrical compartment for easy leveling at installation.

Rugged die-cast aluminum housing and door are polyester powder-coated for durability and corrosion resistance. Rigorous five-stage pre-treating and painting process yields a finish that achieves a scribe creepage rating of 8 (per ASTM D1654) after over 5000 hours exposure to salt fog chamber (operated per ASTM B117).

Most arm mount is adjustable for arms from 1-1/4" to 2" (1-5/8" to 2-3/8" O.D.) diameter. The 2-bolt and optional 4 bolt clamping mechanism provide 3G vibration rating per ANSI C136.31.

The Wildlife shield is cast into the housing (not a separate piece).

CONTROLS

NEMA 3 pin photocontrol receptacle is standard, with the Acuity designed ANSI standard 5 pin and 7 pin receptacles optionally available.

Premium solid state locking-style photocontrol – PCSS (10 year rated life) Extreme long life solid state locking-style photocontrol – PCLL (20 year rated life).

Extreme long life solid state locking-style photocontrol with on demand remote on/off control - PCCC (15 year rated life).

Optional onboard Adjustable Output module allows the light output and input wattage to be modified to meet site specific requirements, and also can allow a single fixture to be flexibly applied in many different applications.

Autobahn Series ATBL

Roadway

ORDERING INFORMATION

Example: ATBL A MVOLT R2

ATBL	A	480	R2	
Series	Performance Packages	Voltage	Optics	Mounting
ATBL Autobahn LED Roadway	A 19,000 lumens B 21,000 lumens C 22,000 lumens D 25,000 lumens E 27,000 lumens F 29,000 lumens G 30,000 lumens	MVOLT Multi-volt, 120-277V 347 347V 480 480V	N2 Roadway Type II, Narrow R2 Roadway Type II R3 Roadway Type III R4 Roadway Type IV R5 Roadway Type V	(Blank) 2 Bolt Mounting 4B 4 Bolt Mounting

NR

Options

Color Temperature (CCT)

(Blank) 4000K CCT, 70 CRI Min.
3K 3000K CCT, 70 CRI Min.
5K 5000K CCT, 70 CRI Min.

Paint

(Blank) Gray
BK Black
BZ Bronze
DDB Dark Bronze
GI Graphite
WH White

Surge Protection

(Blank) Standard 10kA/5kV SPD
20 20kV/10kA SPD
MP MOV Pack - 10kA/5kV SPD
IL SPD with Indicator Light 10kA/5kV SPD¹

Miscellaneous Options

HSS House Side Shield
NL NEMA Label Indicating Wattage
PT Power Tray
XL Not CSA Certified – No Terminal Block Cover
BAA Buy America(n) Act Compliant

Control Options

(Blank) 3 Pin NEMA Photocontrol Receptacle
P5 5 Pin Photocontrol Receptacle (dimmable driver included)¹
P7 7 Pin Photocontrol Receptacle (dimmable driver included)¹
NR No Photocontrol Receptacle²
AO Field Adjustable Output¹
DM 0-10V Dimmable Driver³
PCSS Solid-State Lighting Photocontrol⁴
PCLL Solid-State Long Life Photocontrol
PCCC Solid-State Long Life Photocontrol with remote control on/off
SH Shorting Cap⁵

Packages

(Blank) Standard Pack
JP Job Pack (24 per pallet)

Notes:

1. Dimmable Driver included. Not available with DM.
2. Not available with P5 or P7.
3. Controls by Others. Not available with AO.
4. MVOLT only.
5. Not available with PCSS or PCLL.

For Accessories see next page.



AEL Headquarters, One Lithonia Way, Conyers Georgia 30012
 www.americanelectriclighting.com Phone: 1-866-HOLOPHANE
 Email: TechSupportINF@AcuityBrands.com

© 2015-2023 Acuity Brands Lighting, Inc. All Rights Reserved. ATBL 01/09/23

Warranty Five-year limited warranty. This is the only warranty provided and no other statements in this specification sheet create any warranty of any kind. All other express and implied warranties are disclaimed. Complete warranty terms located at: www.acuitybrands.com/support/warranty/terms-and-conditions

Note: Actual performance may differ as a result of end-user environment and application. All values are design or typical values, measured under laboratory conditions at 25 °C. Specifications subject to change without notice.

Please contact your sales representative for the latest product information.

Autobahn Series ATBL Roadway

ORDERING INFORMATION

Accessories (order separately)

ATBLHSS	House Side Shield
ATBL LTS	Light Trespass Shield
RKATBLMVOLTS PD	ATBL Acuity SPD Replacement Kit MVOLT
RKATBLHVSPD	ATBL Acuity SPD Replacement Kit 347/480V
RKATBLMVOLT20	ATBL 20kV SPD Replacement Kit MVOLT
RKATBLHV20	ATBL 20kV SPD Replacement Kit 347/480V
RKATBLMVOLTMP	ATBL MOV Pack Replacement Kit MVOLT
RKATBLHVMP	ATBL MOV Pack Replacement Kit 347/480V
RKATBLMVOLTIL	ATBL IL SPD Replacement Kit
RKATBLUV-AC-20KV	ATBL (A,C) STD SPD / 20kV Replacement Power Tray MVOLT
RKATBLUV-B-20KV	ATBL (B) STD SPD / 20kV Replacement Power Tray MVOLT
RKATBLUV-D	ATBL (D) STD SPD Replacement Power Tray MVOLT
RKATBLUV-E	ATBL (E) STD SPD Replacement Power Tray MVOLT
RKATBLUV-F	ATBL (F) STD SPD Replacement Power Tray MVOLT
RKATBLUV-G	ATBL (G) STD SPD Replacement Power Tray MVOLT
RKATBLUV-D-20KV	ATBL (D) 20kV SPD Replacement Power Tray MVOLT
RKATBLUV-E-20KV	ATBL (E) 20kV SPD Replacement Power Tray MVOLT
RKATBLUV-F-20KV	ATBL (F) 20kV SPD Replacement Power Tray MVOLT
RKATBLUV-G-20KV	ATBL (G) 20kV SPD Replacement Power Tray MVOLT
RKATBLHV-AC-20KV	ATBL (A,C) STD SPD / 20kV Replacement Power Tray 347/480V
RKATBLHV-B-20KV	ATBL (B) STD SPD / 20kV Replacement Power Tray 347/480V
RKATBLHV-D-20KV	ATBL (D) STD SPD / 20kV Replacement Power Tray 347/480V
RKATBLHV-E-20KV	ATBL (E) STD SPD / 20kV Replacement Power Tray 347/480V
RKATBLHV-F-20KV	ATBL (F) STD SPD / 20kV Replacement Power Tray 347/480V
RKATBLHV-G-20KV	ATBL (G) STD SPD / 20kV Replacement Power Tray 347/480V



AEL Headquarters, One Lithonia Way, Conyers Georgia 30012
www.americanelectriclighting.com Phone: 1-866-HOLOPHANE
Email: TechSupportINF@AcuityBrands.com

© 2015-2023 Acuity Brands Lighting, Inc. All Rights Reserved. ATBL 01/09/23

Warranty Five-year limited warranty. This is the only warranty provided and no other statements in this specification sheet create any warranty of any kind. All other express and implied warranties are disclaimed. Complete warranty terms located at: www.acuitybrands.com/support/warranty/terms-and-conditions

Note: Actual performance may differ as a result of end-user environment and application. All values are design or typical values, measured under laboratory conditions at 25 °C. Specifications subject to change without notice.

Please contact your sales representative for the latest product information.

Autobahn Series ATBL Roadway

PERFORMANCE PACKAGE															
Performance Package	Distribution	Input Watts	3K (3000K CCT, 70 CRI)					4K/5K (4000K/5000K CCT, 70 CRI)					LLD @ 25°C		
			Lumens	LPW	B	U	G	Lumens	LPW	B	U	G	25k Hours	75k Hours	100k Hours
A	N2	170	16,911	99	3	0	3	19,456	114	3	0	3	0.96	0.94	0.92
	R2		16,373	96	3	0	3	18,960	112	3	0	4			
	R3		16,223	95	2	0	4	18,660	110	3	0	4			
	R4		15,755	93	3	0	4	17,926	105	3	0	4			
	R5		17,257	102	4	0	2	20,067	118	4	0	2			
B	N2	181	18,393	102	3	0	3	21,325	118	3	0	3	0.96	0.94	0.92
	R2		17,928	99	3	0	4	20,770	115	3	0	4			
	R3		17,731	98	3	0	4	20,512	113	3	0	4			
	R4		17,114	95	3	0	5	19,900	110	3	0	5			
	R5		18,948	105	4	0	2	22,033	122	5	0	3			
C	N2	200	19,670	98	3	0	3	22,882	114	3	0	3	0.96	0.94	0.92
	R2		19,216	96	3	0	4	22,288	111	3	0	4			
	R3		19,056	95	3	0	4	22,030	110	3	0	4			
	R4		18,326	108	3	0	5	21,308	125	3	0	5			
	R5		20,320	102	4	0	2	23,628	118	5	0	3			
D	N2	209	21,972	105	3	0	3	25,508	122	3	0	4	0.96	0.94	0.92
	R2		21,502	103	3	0	4	25,052	120	3	0	4			
	R3		21,199	101	3	0	5	24,067	115	3	0	5			
	R4		20,419	113	3	0	5	23,824	132	3	0	5			
	R5		22,868	109	5	0	3	26,591	127	5	0	3			
E	N2	238	24,015	101	3	0	3	28,023	118	3	0	4	0.96	0.94	0.92
	R2		23,496	99	3	0	4	27,526	116	3	0	4			
	R3		23,125	97	3	0	5	26,433	111	3	0	5			
	R4		22,548	133	3	0	5	26,219	154	3	0	5			
	R5		25,139	106	5	0	3	29,231	123	5	0	3			
F	N2	259	25,409	98	3	0	4	29,814	115	3	0	4	0.96	0.94	0.92
	R2		24,831	96	3	0	4	29,274	113	3	0	5			
	R3		24,516	95	3	0	5	28,089	108	3	0	5			
	R4		23,970	132	3	0	5	27,873	154	3	0	5			
	R5		26,735	103	5	0	3	31,087	120	5	0	3			
G	N2	279	26,457	95	3	0	4	31,340	112	3	0	4	0.95	0.93	0.92
	R2		26,007	93	3	0	4	30,590	110	3	0	5			
	R3		25,344	91	3	0	5	29,403	105	3	0	5			
	R4		24,680	145	3	0	5	29,207	172	3	0	5			
	R5		28,094	101	5	0	3	32,667	117	5	0	3			

Note: Individual fixture performance may vary. Specifications subject to change without notice.



AEL Headquarters, One Lithonia Way, Conyers Georgia 30012
 www.americanelectriclighting.com Phone: 1-866-HOLOPHANE
 Email: TechSupportINF@AcuityBrands.com

© 2015-2023 Acuity Brands Lighting, Inc. All Rights Reserved. ATBL 01/09/23

Warranty Five-year limited warranty. This is the only warranty provided and no other statements in this specification sheet create any warranty of any kind. All other express and implied warranties are disclaimed. Complete warranty terms located at: www.acuitybrands.com/support/warranty/terms-and-conditions

Note: Actual performance may differ as a result of end-user environment and application. All values are design or typical values, measured under laboratory conditions at 25 °C. Specifications subject to change without notice.

Please contact your sales representative for the latest product information.