

BID SPECIFICATIONS

FOR

DG HUNTER UNITS 5-11
SUPPLEMENTAL PARTS AND SERVICES
ELECTRIC PRODUCTION

**CITY OF ALEXANDRIA
(OWNER)**

**MAYOR
JEFFREY W. HALL**

**COUNCIL MEMBERS
CATHERINE DAVIDSON
CHARLES L. "CHUCK" FOWLER JR.
CYNTHIA PERRY
GERBER M. PORTER
LEE RUBIN
JAMES "JIM" VILLARD
REDDEX WASHINGTON**

**CITY CLERK
DONNA JONES**

**ACTING DIRECTOR OF UTILITIES
RICHARD WILLIAMSON**

MARCH 2022

**PAN AMERICAN ENGINEERS, LLC
P.O. BOX 8599 (71306)
1717 JACKSON STREET (71301)
ALEXANDRIA, LOUISIANA
(318)473-2100
PAE Job No. 12281**

CITY OF ALEXANDRIA
DG HUNTER UNITS 5-11
SUPPLEMENTAL PARTS AND SERVICE
ELECTRIC PRODUCTION

TABLE OF CONTENTS

I. Advertisementi
II. Bid Cover Sheet1
III. General Conditions2
IV. Bid Form6
V. Bid Specifications10

Appendix A – Product Data Sheets

CITY OF ALEXANDRIA
DG HUNTER UNITS 5-11
SUPPLEMENTAL PARTS AND SERVICE
ELECTRIC PRODUCTION

I. ADVERTISEMENT

CITY OF ALEXANDRIA BID SPECIFICATIONS FOR:
DG HUNTER UNITS 5-11 - SUPPLEMENTAL PARTS AND SERVICE - ELECTRIC PRODUCTION

I. ADVERTISEMENT FOR BID

CITY OF ALEXANDRIA, LOUISIANA
 PURCHASING DEPARTMENT

**BID # 2370 DG HUNTER UNITS 5-11 – SUPPLEMENTAL PARTS AND
 SERVICE – ELECTRICAL DISTRIBUTION**

Separate sealed bids for DG HUNTER UNITS 5-11 – SUPPLEMENTAL PARTS AND SERVICE, will be received by the CITY OF ALEXANDRIA at the CITY COUNCIL MEETING CHAMBERS, ALEXANDRIA CITY HALL, ALEXANDRIA, LOUISIANA, until 10:00 AM CST CDT, TUESDAY, May 17, 2022, and then at said office publically opened and read aloud.

Complete bid packet, bid specifications may be obtained at the City of Alexandria’s website, www.cityofalexandria.com under the heading “Business”, and drop down to “RFP/RFQ/RFI/BIDS”. There is no charge to download bid documents from the City’s website.

Pursuant to LA R.S. 38:2212.1 B.(4)(a), vendors have the option to submit their bids electronically. Please find bid related documents and place electronic bids at www.centralbidding.com . For questions regarding the electronic bidding process, please call Central Bidding at 225-810-4814.

Questions and/or request for clarification of bid specifications are to be in written form only, either mailed or emailed to Thomas C. David, Jr., Pan American Engineers, 1717 Jackson Street, Alexandria, LA 71301; Emailed to: Tom@paealex.com and must be received within ten (10) calendar days of the scheduled receipt of bids.

Address for Postal Delivery:

City of Alexandria
 Donna Jones, City Clerk
 PO Box 71
 Alexandria, LA 71309-0071

**Address for Courier or
 Overnight Delivery:**

City of Alexandria
 Donna Jones, City Clerk
 915 Third Street, 1st Floor
 Alexandria, LA 71301
 Phone: 318-449-5047

**Address for Electronic
 Bid Submission:**

www.centralbidding.com

Phone: 225-810-4814

PLEASE PUBLISH THREE (3) TIMES:

Friday, April 8, 2022

Friday, April 15, 2022

Friday, April 22, 2022

CITY OF ALEXANDRIA
DG HUNTER UNITS 5-11
SUPPLEMENTAL PARTS AND SERVICE
ELECTRIC PRODUCTION

II. BID COVER SHEET

CITY OF ALEXANDRIA BID SPECIFICATIONS FOR:
DG HUNTER UNITS 5-11 - SUPPLEMENTAL PARTS AND SERVICE - ELECTRIC PRODUCTION



Wilma Kelly
Purchasing Manager

City of Alexandria
Purchasing Department
P. O. Box 71
Alexandria, Louisiana
71309-0071



Office: (318) 441-6180
Fax: (318) 441-6185

II. BID COVER SHEET

<p>Sealed bids will be received until 10:00 AM, Tuesday, May 17, 2022, and <u>publicly opened</u> in the Council Chambers or Council Committee Room.</p>	<p>City of Alexandria Bid # 2370 Page: 1 of 11 & Appendix A Date Specifications Prepared: March 2022</p>
<p><u>Bid Bond Requirements:</u> A bid bond or check for <u>N/A%</u> of the total amount of bid.</p> <p><u>Performance Bond Requirements:</u> In the event bid is accepted, a performance bond shall be required in the amount of <u>N/A%</u>.</p>	<p><u>Please file bid with the following:</u> <u>Donna Jones, City Clerk</u> City of Alexandria 915 Third Street P. O. Box 71 Alexandria, LA 71309-0071 Phone: 318-449-5047</p>

DG HUNTER UNITS 5-11 **SUPPLEMENTAL PARTS AND SERVICE – ELECTRIC PRODUCTION**

It is the intent of the City of Alexandria to secure pricing on Supplemental Parts and Service, for use by the City of Alexandria Electric Production Department for the Wäertsilä Reciprocating Internal Combustion Engines and ancillary parts. Said material is to be inventoried by the City of Alexandria Electric Production Department. Quantities given are estimated and not guaranteed. All products shall be new and of current manufacture.

Completed bid should be returned as issued by the City of Alexandria with ALL PAGES intact and all columns filled in. Incomplete columns or missing pages, to include addendum pages, may result in the bidder's (or proposer's) entire bid being rejected.

Questions and/or clarifications of bid specifications must be submitted in written form only, either mailed, faxed, or e-mailed to the attention of Thomas C. David, Jr., Pan American Engineers, LLC, 1717 Jackson Street, Alexandria, LA 71301; Fax: (318) 473-2275; Email: tom@paealex.com and must be received within 10 calendar days of the scheduled receipt of bids.

Bidder Information:

Company Name: _____

Address: _____

City/State/Zip: _____

Telephone #: () _____ Fax #: () _____

Authorized Printed Name and Title: _____

Authorized Signature: _____

CITY OF ALEXANDRIA
DG HUNTER UNITS 5-11
SUPPLEMENTAL PARTS AND SERVICE
ELECTRIC PRODUCTION

III. GENERAL CONDITIONS

CITY OF ALEXANDRIA BID SPECIFICATIONS FOR:
DG HUNTER UNITS 5-11 - SUPPLEMENTAL PARTS AND SERVICE - ELECTRIC PRODUCTION

III. GENERAL CONDITIONS FOR BIDDERS
PLEASE READ CAREFULLY

1. Pursuant to LA R.S 38:2212.1. C.(1)(2), any manufacturer's preference in this proposal is descriptive, but non-restrictive, and is used only to indicate minimum requirement for type, grade and quality unless otherwise specified.
2. Pursuant to LA R.S. 38:2212 B.(1), the provisions and requirement of this bid shall not be considered as informalities and shall not be waived by the City of Alexandria. Therefore, conditions and specifications on this bid form shall be strictly enforced and any and all alterations, deviations, and non-compliance to said conditions and specifications, either on the bid form or by separate attachment, shall be grounds for immediate disqualification.
3. Preference shall be given to bidders quoting F.O.B. Destination (the City of Alexandria using department), FREIGHT PREPAID, unless otherwise requested.
4. Each bidder shall submit his proposal on the proposal form furnished by the City of Alexandria Purchasing Department. The complete bid package must be returned as issued by the City with all pages intact and all specification response columns filled in. Incomplete columns or missing pages, to include addendum pages, shall result in the vendor's entire bid package being rejected.
5. Literature, brochures, and other related paperwork attached to the bid should be identified with the name of the bidder and bid item number.
6. In case of a mathematical discrepancy between unit price and extensions, the unit price shall prevail.
7. Pursuant to LA R.S. 38:2212 F., the bid specifications may contemplate a fixed escalation or de-escalation in accordance with the United States Bureau of Labor Statistic's Consumer Price Index or the Producer Price Index. Bids based on specifications which are subject to a recognized escalation index shall be legal and valid for any item of a public work, at the discretion of the City.
8. Pursuant to LA R.S. 38:2212.1. F., any public procurement unit may participate in a cooperative purchasing agreement with the City of Alexandria to acquire quantities of the above listed items under a contract with the City of Alexandria for items awarded by public bid, pursuant to the cooperative purchasing provisions of Part VII of Chapter 17 of Subtitle III of Title 39 of the Louisiana Revised Statutes of 1950, R.S. 39:1701 et seq.
9. The City of Alexandria reserves the right to award by item or by total bid, unless otherwise specified in the bid specifications. (Price(s) should be itemized.)
10. All erasures or corrections on the bid form must be initialed and the City of Alexandria may rely on the apparent authority represented by the initials.
11. The City of Alexandria reserves the right to reject for cause any and all bids or parts of bids, or accept bids most beneficial to the City.

CITY OF ALEXANDRIA BID SPECIFICATIONS FOR:
DG HUNTER UNITS 5-11 - SUPPLEMENTAL PARTS AND SERVICE - ELECTRIC PRODUCTION

General Conditions for Bidders - Please Read Carefully (Continued)

12. Any bid submitted which contains additions, conditional or alternate bids, or irregularities which may make the proposal incomplete, indefinite, or ambiguous as to its meaning, thus requiring clarification after the specified date and time of bid opening shall be rejected.
13. Bids shall be opened publicly in the City Council Chambers or Council Committee Room.
14. Cash discounts may be accepted, but SHALL NOT be considered in making award.
15. Regarding a bid for purchase of materials, supplies or services, not to include construction of any public works, a written notice of acceptance mailed or otherwise furnished to the successful bidder shall result in a binding contract without further action by either party.
16. When any bid is accepted for the construction or doing of any public works, a written contract shall be executed by and between the City of Alexandria and the Contractor. No contract shall be binding upon the City until it has been executed by the City and delivered to the successful bidder. Should the bidder to whom the contract is awarded fail to execute the contract, the award shall then be made to the next lowest responsible bidder, or re-advertised for public bid, said decision to be in the sole judgment of the City of Alexandria. This action may result in the loss of bidding privileges for a period of one (1) year.
17. The City of Alexandria shall schedule for payment the invoices for articles or services purchased under this bid within thirty (30) days after due and proper delivery accompanied by invoice.
18. The City of Alexandria is exempt from all sales taxes. A sales tax exempt form shall be furnished by the City of Alexandria Purchasing Department, if requested.
19. Bidder(s) awarded item(s) by the City of Alexandria shall be responsible for supplying all products at the awarded price(s). Failure may result in the City's cancellation of the remaining items awarded.
20. Regarding Service Contracts and Procurement Contracts, the terms of the contract shall be binding upon any and all parties involved until goods and supplies are delivered, services have been rendered, and/or work has been completed and accepted by the Mayor on behalf of the City of Alexandria and all payments required to be made to the Contractor have been made. However, a contract may be terminated under any and all of the following conditions:
 - (a) By mutual agreement and consent of either party upon thirty (30) days written notice to the other party;
 - (b) By the Mayor, on behalf of the City of Alexandria, as a consequence of the failure of the Contractor to comply with the terms and conditions of the contract or the progress or quality of work to be performed in a satisfactory manner, proper allowance being made for circumstances beyond the control of the Contractor; or
 - (c) By satisfactory completion of all services and obligations described in the contract.

CITY OF ALEXANDRIA BID SPECIFICATIONS FOR:
DG HUNTER UNITS 5-11 - SUPPLEMENTAL PARTS AND SERVICE - ELECTRIC PRODUCTION

General Conditions for Bidders - Please Read Carefully (Continued)

If the contract is terminated for any of the terms and conditions authorized in sub-paragraph (b) above, Contractor shall be formally notified in writing by the City of Alexandria Purchasing Department by means of certified mail informing him of cancellation of the contract, giving specific reasons for said cancellation. Contractor shall have the right to appeal to the City Council within ten (10) days from the date that said notification is placed in the U.S. Mail. Contractor's appeal shall be accomplished by means of a letter addressed to the City Council and delivered to the City Clerk, stating that an appeal to the decision of cancellation is desired. The City Council shall thereafter hold a hearing on the appeal, giving all parties the opportunity to present any and all evidence concerning the decision of cancellation. After hearing the appeal, the city Council may, by a majority vote, sustain, modify, or reverse the findings for said decision and shall provide, if requested by Contractor, a written determination of its findings.

21. Contractors submitting bids for Public Works construction projects in excess of \$1.00 must show his Contractor's License Number on the front of the bid envelope, except for certain projects for which a Contractor's License Number is not required by the State Contractor's Licensing Board. Failure to comply with this directive shall result in automatic bid rejection, furthermore, any Contractor who submits a bid for a type of construction for which he is not properly licensed shall be acting in violation of LA R.S. 37:2163, and shall be subject to all provisions for violation and penalties thereof. Contractors who are owned by, and are submitting a bid as a subsidiary of a parent company, whose name is listed in the State of Louisiana's Roster of Licensed Contractors, may do so by including a letter of proof of ownership from the parent company with the submitted bid package. The letter must be signed as per LA R.S. 38:2212 B.(5)(a)(b)(c) (see Item #22 below).

22. All bids submitted via USPS (registered or certified), overnight courier or hand delivered, shall be signed by hand and in ink by an authorized company representative per LA R.S. 38:2212 B.(5)(a)(b)(c), which states:

(c)(i) Evidence of agency, corporate, or partnership authority shall be required for submission of a bid to the division of administration or the State of Louisiana. The authority of the signature of the person submitting the bid shall be deemed sufficient and acceptable if any of the following conditions are met:

(aa) The signature on the bid is that of any corporate officer listed on the most current annual report on file with the Secretary of State, or the signature on the bid is that of any member of a partnership or partnership in commendam listed in the most current partnership records on file with the Secretary of State.

(bb) The signature on the bid is that of an authorized representative of the corporation, partnership, or other legal entity and the bid is accompanied by a corporate resolution, certification as to the corporate principle, or other documents indicating authority which are acceptable to the public entity.

CITY OF ALEXANDRIA BID SPECIFICATIONS FOR:
DG HUNTER UNITS 5-11 - SUPPLEMENTAL PARTS AND SERVICE - ELECTRIC PRODUCTION

General Conditions for Bidders - Please Read Carefully (Continued)

(cc) The corporation, partnership, or other legal entity has filed in the appropriate records of the Secretary of State in which the public entity is located, an affidavit, resolution, or other acknowledged or authentic document indicating the names of all parties authorized to submit bids for public contracts. Such document on file with the Secretary of State shall remain in effect and shall be binding upon the principal until specifically rescinded and canceled from the records of the office.

23. In-State preferences shall not apply to procurements involving federal funds.
24. Pursuant to LA R.S. 38:2212 O.(2)(a)(b), any modifications of plans and specifications will be made through an addendum. No addendum shall be issued within seventy-two (72) hours of the bid opening, excluding weekends and legal holidays, without the extension of the bid opening date. An extension of at least seven (7) but no more than thirty (30) working days is required but, re-advertising is not required. The addendum shall be transmitted by any one of the following methods: (1) facsimile transmission; (2) e-mail; (3) by hand; or (4) posted on the City of Alexandria's website (www.cityofalexandria.com) and posted on Central Bidding's website (www.centralauctionhouse.com) if applicable.
25. All Federal Transit Administration (FTA) funded procurements, including operating assistance funding contracts, are to follow the *Master Agreement*, to include all applicable federal clauses.
- a. Any bidder that is found listed on the Federal Government's *System for Award Management* (SAM) website, at www.sam.gov/portal/sam, under the advanced search feature for *Excluded Parties List System* (EPLS), shall automatically be rejected for the award of this bid, by Category and/or in its entirety. This applies to any portion of the bid that is a procurement funded by FTA.
26. Under the City's *AFEAT (Alexandria Fairness, Equality, Accessibility, and Teamwork Program)*, participation by minority and/or disadvantaged business enterprise firms is encouraged. Inquiries about the *AFEAT* Program should be directed to the Division of Finance. As a part of its RFP response, each Bidder ***shall*** submit documentation of its bona fide effort to secure subcontractors that meet the City's *AFEAT* goals. Each bidder ***shall*** also submit proof of engagement of any subcontractor selected because of its solicitations. The Bidder's bona fide efforts and engagement(s) are a consideration in bid review and rating.

CITY OF ALEXANDRIA
DG HUNTER UNITS 5-11
SUPPLEMENTAL PARTS AND SERVICE
ELECTRIC PRODUCTION

IV. BID FORM

CITY OF ALEXANDRIA

DG HUNTER UNITS 5-11
SUPPLEMENTAL PARTS AND SERVICE
ELECTRIC PRODUCTION

Note:							
1.	Part numbers and descriptions are based off of Wärtsilä North America Spare Part Catalog.						
2.	Product data sheets for each Wärtsilä North America Part number are included in Appendix A to this Bid Form and shall be for illustrative purposes only.						
3.	If Bidder is not able to provide a price for a certain Spare Part, Bidder shall denote such by writing "N/A" in the "Unit Cost" Column of the Bid Form.						
4.	Prices shall NOT include freight costs or DDP-Hub/U.S. Duties; only goods. All freight and DDP-HUB/ U.S. Duties charges will be determined on an order-by-order basis, dependent on the volume and weight of the particular spare parts order; with shipping charges mutually agreed upon prior to processing Purchase Order. Anticipate all shipments to the City of Alexandria Electric Production Department at 1011 N Third Street, Alexandria, LA 71303, unless otherwise directed by the City.						
5.	Prices are US Dollars as of the date of Bid Submission and subject to exchange rate modifications as noted herein.						
6.	Bids will be awarded by specific item, category, or total low bid, whichever is most beneficial to the City.						
7.	Exchange Rate: All amounts payable and calculations under this Agreement shall be in United States dollars. Where amounts payable or calculated under this Agreement are in a currency other than United States dollars, conversion of such amounts to United States dollars shall be made at the conversion rate as reported in the Wall Street Journal on the last working day of the applicable calendar month. Such payments shall be without deduction of exchange, collection or other charges.						
8.	<p>Price Adjustments: The Unit Cost for each item shall be automatically adjusted on an on-going basis based on the exchange rate as described above without further action on the part of the parties.</p> <p>The Unit Cost for each Bid Item for each Purchase Order shall be determined as follows:</p> $UC = \frac{(BP * BER)}{ER}$ <p>Where, UC = Unit Cost for the Line Item for the current Purchase Order in United States Dollars; ER = Exchange Rate for converting United States Dollars to the applicable foreign currency as reported in the Wall Street Journal on the last working day of the most recent calendar month as of the date of the Purchase Order; BP = Bid Price for the Line Item in United States Dollars; and BER = Base Exchange Rate for converting United States Dollars to the applicable currency as reported in the Wall Street Journal as of the Bid Date.</p> <p>If Contractor wishes to have the price adjusted based on an Exchange Rate, the Contractor must indicate the foreign currency the price adjustment will be based on here: _____ (British Pound, Euro, etc.)</p>						

CITY OF ALEXANDRIA

DG HUNTER UNITS 5-11
SUPPLEMENTAL PARTS AND SERVICE
ELECTRIC PRODUCTION

Bid Item No.	Wärtsilä Part No.	Description	Q ty		Unit Cost		
<u>Category 1 - Engine Safety Spare Parts</u>							
1	181078	Valve Kit for Lubricating Oil Pump	1	x		/ea	
2	182062	Sealing Set for Pre Lubricating Oil Pump	1	x		/ea	
3	182023	Seal for Pre Lubricating Oil Pump	1	x		/ea	
4	182027	O-Ring for Pre Lubricating Oil Pump	1	x		/ea	
5	357017	Main Starting Valve Block	1	x		/ea	
6	107187	Starting Air Distributor	1	x		/ea	
7	516500	Display Unit	1	x		/ea	
8	516495	Power Distribution Module	1	x		/ea	
9	120099	O-Ring	1	x		/ea	
10	120100	O-Ring	1	x		/ea	
11	181076	Gasket	1	x		/ea	
12	181023	O-Ring	1	x		/ea	
13	181063	O-Ring	1	x		/ea	
14	181364	O-Ring	1	x		/ea	
15	183087	Service Kit	1	x		/ea	
16	473063	Paper Service Kit	1	x		/ea	
17	183086	Thermostatic Element Assembly	1	x		/ea	
18	156161	O-Ring	1	x		/ea	
19	183003	Thermostatic Element	1	x		/ea	

CITY OF ALEXANDRIA

DG HUNTER UNITS 5-11
SUPPLEMENTAL PARTS AND SERVICE
ELECTRIC PRODUCTION

20	474003	Tube Stack	1	x		/ea	
21	476001	Charge Air Cooler	1	x		/ea	
22	836021	Lifting Device	1	x		/ea	
23	156161	O-Ring	1	x		/ea	
24	476018	Sealing Set	1	x		/ea	
25	476019	O-Ring	1	x		/ea	
26	476022	O-Ring	1	x		/ea	
27	476023	O-Ring	1	x		/ea	
28	476027	Sealing Set	1	x		/ea	
29	476049	Sealing Ring	1	x		/ea	
30	476053	Sealing Ring	1	x		/ea	
31	FBLGS-1260-12	Radiator Tube Assembly	1	x		/ea	
32	MOD203	Control Valve Assembly (LT 3-Way Valve)	1	x		/ea	
33	MOD203	Control Valve Assembly (HT 3-Way Valve)	1	x		/ea	
		CATEGORY 1 TOTAL:	\$				
<u>Category 2 - Field Service</u>							
34	Service Technician	Normal Rate	1	x		/hr	
35	Service Technician	Overtime A Rate	1	x		/hr	
36	Service Technician	Overtime B Rate	1	x		/hr	
37	Service Engineer	Normal Rate	1	x		/hr	
38	Service Engineer	Overtime A Rate	1	x		/hr	

CITY OF ALEXANDRIA

DG HUNTER UNITS 5-11
SUPPLEMENTAL PARTS AND SERVICE
ELECTRIC PRODUCTION

39	Service Engineer	Overtime B Rate	1	x		/hr	
40	Superintendent	Normal Rate	1	x		/hr	
41	Superintendent	Overtime A Rate	1	x		/hr	
42	Superintendent	Overtime B Rate	1	x		/hr	
43	Daily Allowance		1	x		/day	
44	Vehicle		1	x		/mile	
		CATEGORY 2 TOTAL:	\$				

CITY OF ALEXANDRIA

DG HUNTER UNITS 5-11
SUPPLEMENTAL PARTS AND SERVICE
ELECTRIC PRODUCTION

V. BID SPECIFICATIONS

CITY OF ALEXANDRIA BID SPECIFICATIONS FOR:
DG HUNTER UNITS 5-11 - SUPPLEMENTAL PARTS AND SERVICE - ELECTRIC PRODUCTION

VI. BID SPECIFICATIONS

1. **SCOPE:** The following bid specifications are to be used as minimum and maximum standards for DG HUNTER UNITS 5-11 – SUPPLEMENTAL PARTS AND SERVICES – ELECTRIC PRODUCTION. All quoted products shall either meet or exceed the following specifications.
2. Unless otherwise stated, the use of manufacturer's name and product numbers are for descriptive purposes and to establish general quality levels only, they are not intended to be restrictive.
3. The purpose of this bid is to secure pricing on Supplemental Spare Parts and Professional Service, for use by the City of Alexandria Electric Production Department for the Wärtsilä Reciprocating Internal Combustion Engines and ancillary parts.
4. Successful Bidders agree to honor the quoted prices for a minimum one (1) year period from bid award date.
5. **Parts Manufacturer:** The existing plant was constructed utilizing Wärtsilä equipment as such the Bid Specifications for Spare Parts are developed around specific Spare Parts manufactured by Wärtsilä or authorized Wärtsilä Affiliates. Certain parts are easily substituted and can be priced by other suppliers, assuming 100% compatibility with the original installed equipment.
6. **Product Data Sheets:** The Product Data Sheets for the individual Supplemental Spare Parts being priced are attached as Appendix A. Note that the Product Data Sheets are not all inclusive of every Supplemental Spare Part noted on the Bid Form.
7. **Field Service Personnel Labor Types:**
 - a. **Superintendent:** Must have “OEM certifications” to lead jobs relevant to NERC compliant power plants. He/She is the direct line of contact between the customer and Wartsila. Responsibilities include proper reporting, managing overhauls and logistics effectively while maintaining a safe and efficient work environment. Highest level engineers capable of Project Management.
 - b. **Service Engineer:** This person reports to the Superintendent. The position strongly resembles the Superintendent position but with less experience and/or official training requirements. Responsibilities include hands on disassembly, inspection and reassembly of engine components. Minimum two (2) years experience in this or similar position.
 - c. **Service Technician:** Supports both the Superintendent and Service Engineer. This person is responsible for maintaining a clean work environment, perform heavy lifting when required and can also perform minor engine service under direct supervision and guidance from either of the above. The technician’s primary role is support. Adequate safety training required.

CITY OF ALEXANDRIA BID SPECIFICATIONS FOR:
DG HUNTER UNITS 5-11 - SUPPLEMENTAL PARTS AND SERVICE - ELECTRIC PRODUCTION

Bid Specifications (Continued)

8. Hourly Rates: Hourly Rates shall vary by Labor Type and Service Time. Service Time shall be as defined below:
 - a. Normal Hours: Monday to Friday up to eight (8) consecutive hours for a work performed between 7:00 AM and 7:00 PM.
 - b. Overtime A: Commencing on 9th working hour for a work performed Monday to Friday between 7:00 AM and 7:00 PM.; Monday to Friday for a work performed between 7:00 PM and 7:00 AM and all hours Saturdays.
 - c. Overtime B: Commencing on 9th working hour for a work performed on Saturdays.; All hours on Sundays.
9. Daily Allowance: Daily Allowance (Per Diem) shall cover lodging, meals and incidental expenses of Field Service Personnel. Contractor shall be paid per field service personnel per day.
10. Traveling: Will be charged as Normal hours.
11. Special Tools: If in the opinion of the Field Service Personnel Special Tools are required during service operations, Contractor shall provide Owner with cost of Special Tools and estimated delivery date and obtain written permission prior to ordering said Special Tools.
12. Transportation: Contractor shall provide Field Service Personnel with transportation to and from the job site. Contractor shall be paid per mile per vehicle.

CITY OF ALEXANDRIA
DG HUNTER UNITS 5-11
SUPPLEMENTAL PARTS AND SERVICE
ELECTRIC PRODUCTION

APPENDIX A
PRODUCT DATA SHEETS

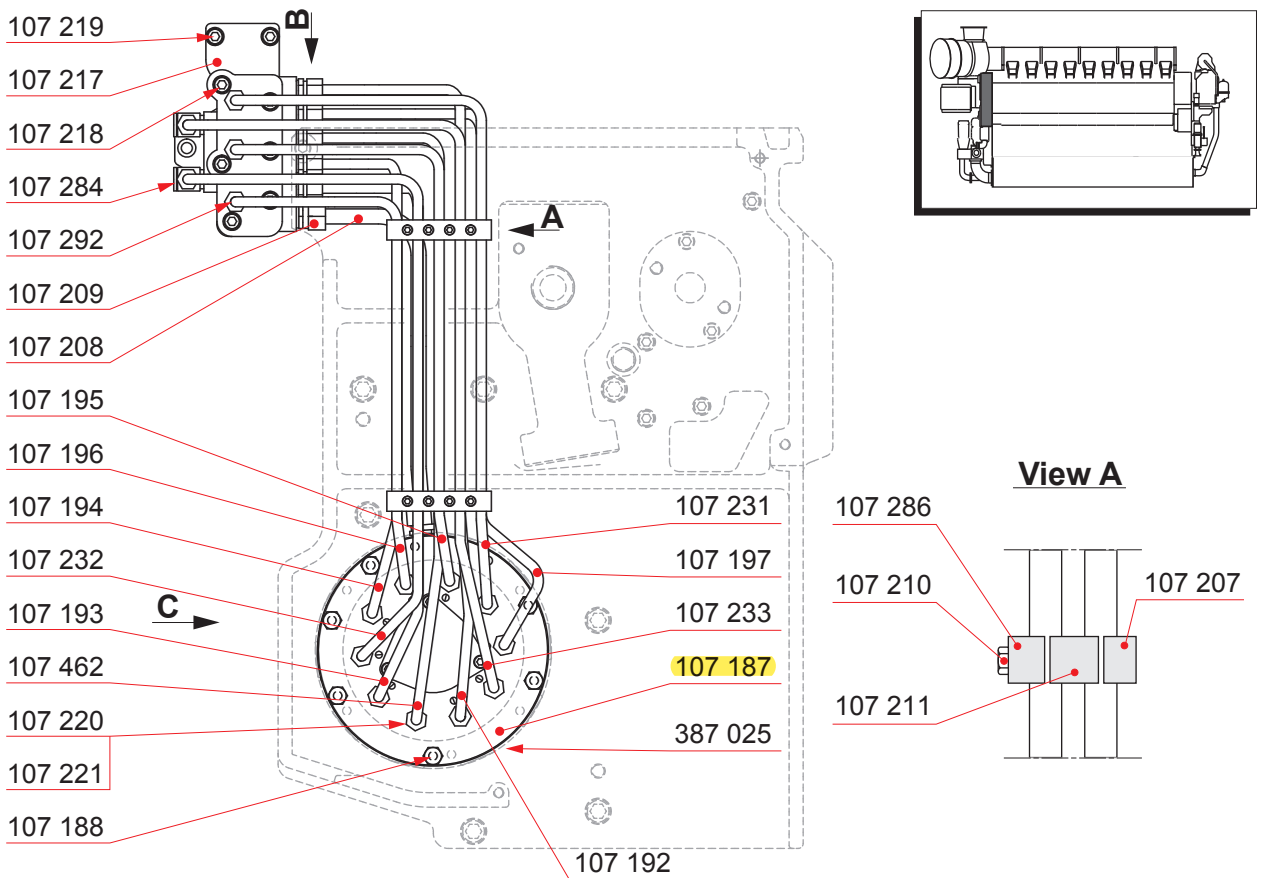
APPENDIX A

Edition: A

Page: 1(2)

Updated: 05.06.2007

Starting air pipes to multicover A-bank



Part No.	Description	Qty [Pcs]	Wt. [Kg]	Part No.	Description	Qty [Pcs]	Wt. [Kg]
107 187	Distributor	1	-	107 292	Pipe union	8	-
107 188	Screw	6	-	107 462	Pipe	1	-
107 192	Pipe	1	-	387 025	Glue compound	1	-
107 193	Pipe	1	-				
107 194	Pipe	1	-				
107 195	Pipe	1	-				
107 196	Pipe	1	-				
107 197	Pipe	1	-				
107 207	Bracket	2	-				
107 208	Pipe	1	-				
107 209	Pipe union	1	-				
107 210	Screw	8	-				
107 211	Pipe clamp	2	-				
107 217	Distribution piece	1	-				
107 218	Screw	6	-				
107 219	Screw	2	-				
107 220	Pipe union	10	-				
107 221	Sealing washer	10	-				
107 231	Pipe	1	-				
107 232	Pipe	1	-				
107 233	Pipe	1	-				
107 284	Pipe union	2	-				
107 286	Bracket	2	-				

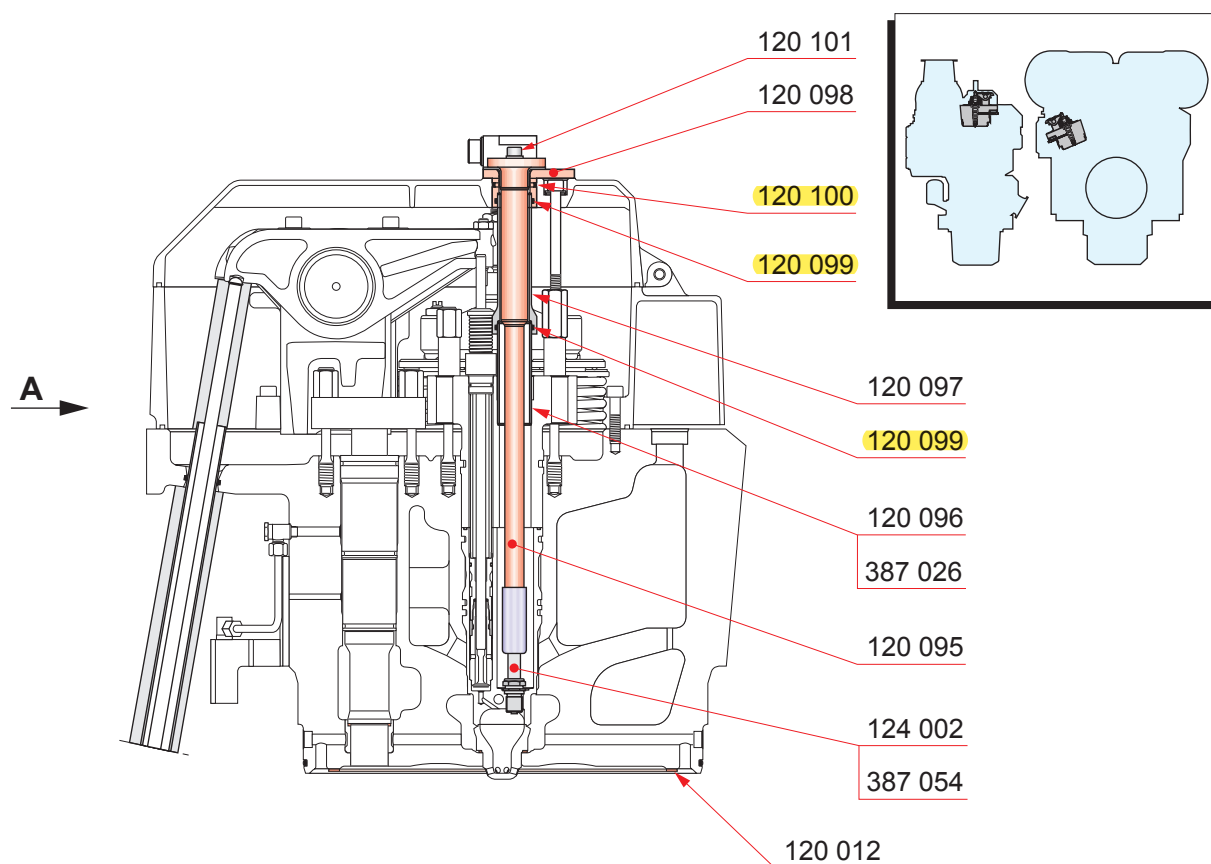
APPENDIX A

Edition: C

Page: 1(3)

Updated: 26.06.2008

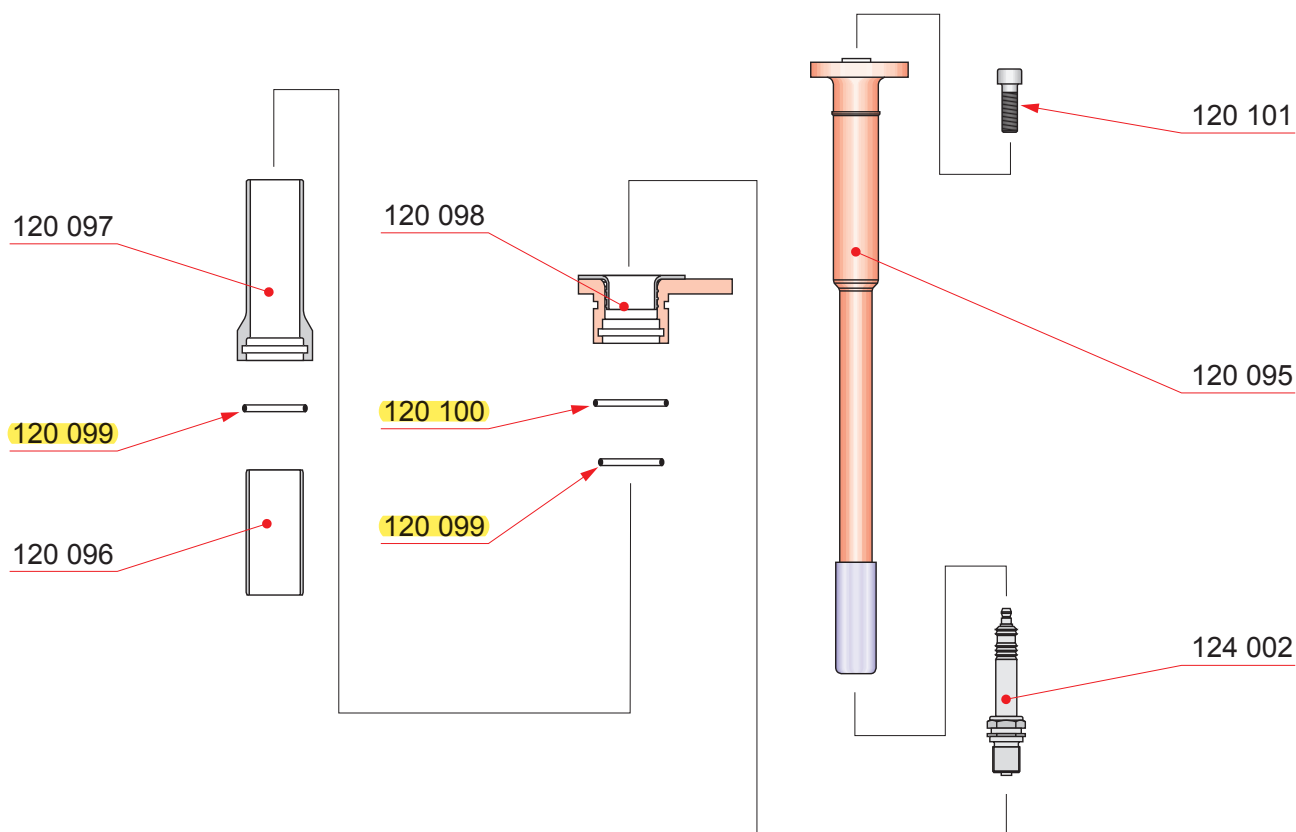
Cylinder head equipment



Part No.	Description	Qty [Pcs]	Wt. [Kg]
120 012	Gasket	1	-
120 095	Ignition coil	1	-
120 096	Pipe	1	-
120 097	Sealing bush	1	-
120 098	Flange	1	-
120 099	O-ring	2	-
120 100	O-ring	1	-
120 101	Screw	2	-
124 002	Spark plug	1	-
387 026	Glue compound	1	-
387 054	Contact lubrication	1	-

Edition: C
 Page: 2(3)
 Updated: 26.06.2008

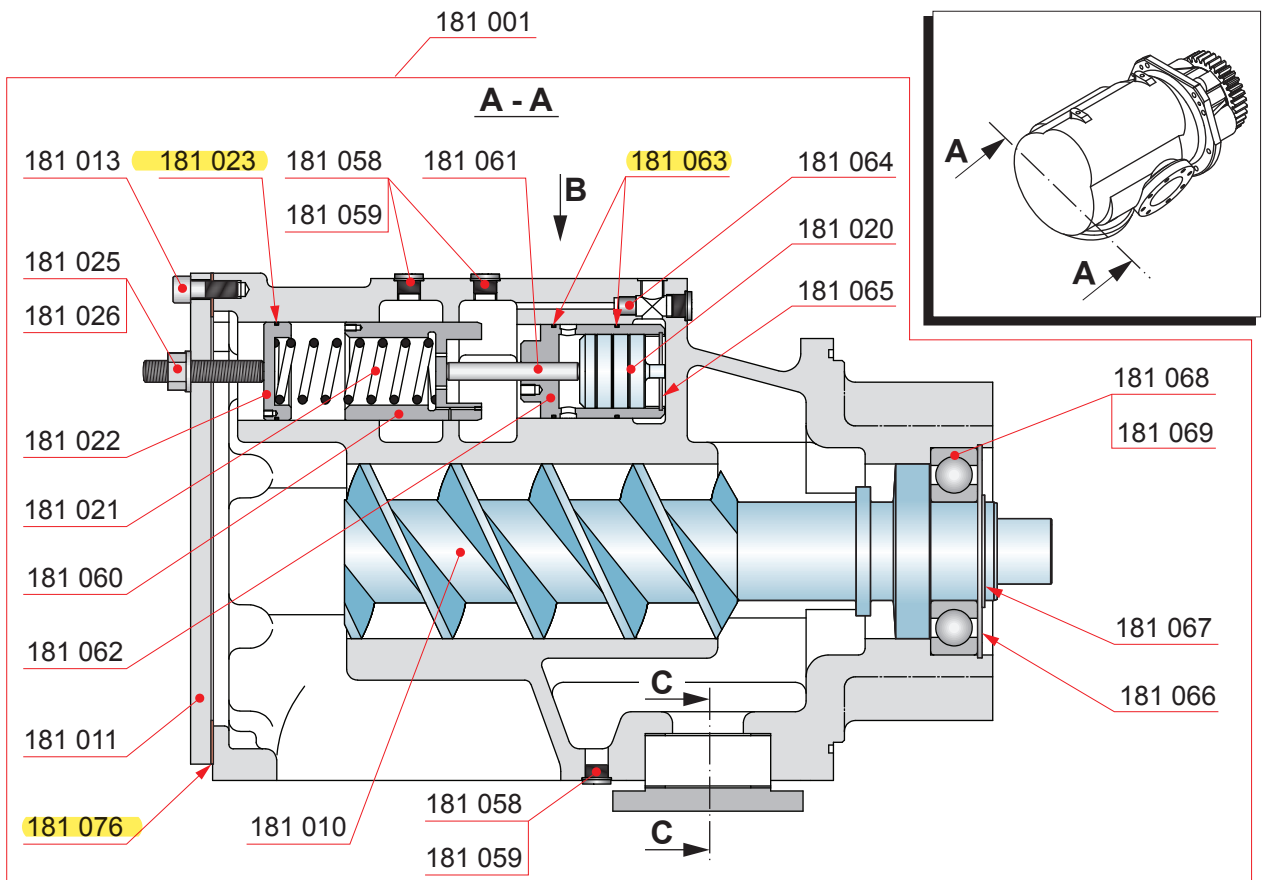
APPENDIX A

Cylinder head equipment

Part No.	Description	Qty [Pcs]	Wt. [Kg]
120 095	Ignition coil	1	-
120 096	Pipe	1	-
120 097	Sealing bush	1	-
120 098	Flange	1	-
120 099	O-ring	2	-
120 100	O-ring	1	-
120 101	Screw	2	-
124 002	Spark plug	1	-

APPENDIX A

Lubricating oil pump



Part No.	Description	Qty [Pcs]	Wt. [Kg]	Part No.	Description	Qty [Pcs]	Wt. [Kg]
181 001	Lubricating oil pump	1	-	NOTE!	(3) Included in Spindle set 181 079		
181 010	Drive shaft (3)	1	80.0				
181 011	Cover	1	-				
181 013	Screw	9	-				
181 020	Piston (2)	1	-				
181 021	Compression spring (2)	1	-				
181 022	Spring holder (2)	1	-				
181 023	O-ring (2)	1	-				
181 025	Screw (2)	1	-				
181 026	Nut (2)	1	-				
181 058	Screw (1) (2)	7	-				
181 059	Sealing ring (1) (2)	7	-				
181 060	Valve cone (2)	1	-				
181 061	Cylindrical pin (2)	1	-				
181 062	Valve sleeve (2)	1	-				
181 063	O-ring (2)	2	-				
181 064	Non-return valve (2)	1	-				
181 065	Circlip (2)	1	-				
181 066	Circlip (1)	1	0.2				
181 067	Circlip (1)	1	-				
181 068	Spacer ring	1	-				
181 069	Ball bearing (1)	1	5.0				
181 076	Gasket (2)	1	-				

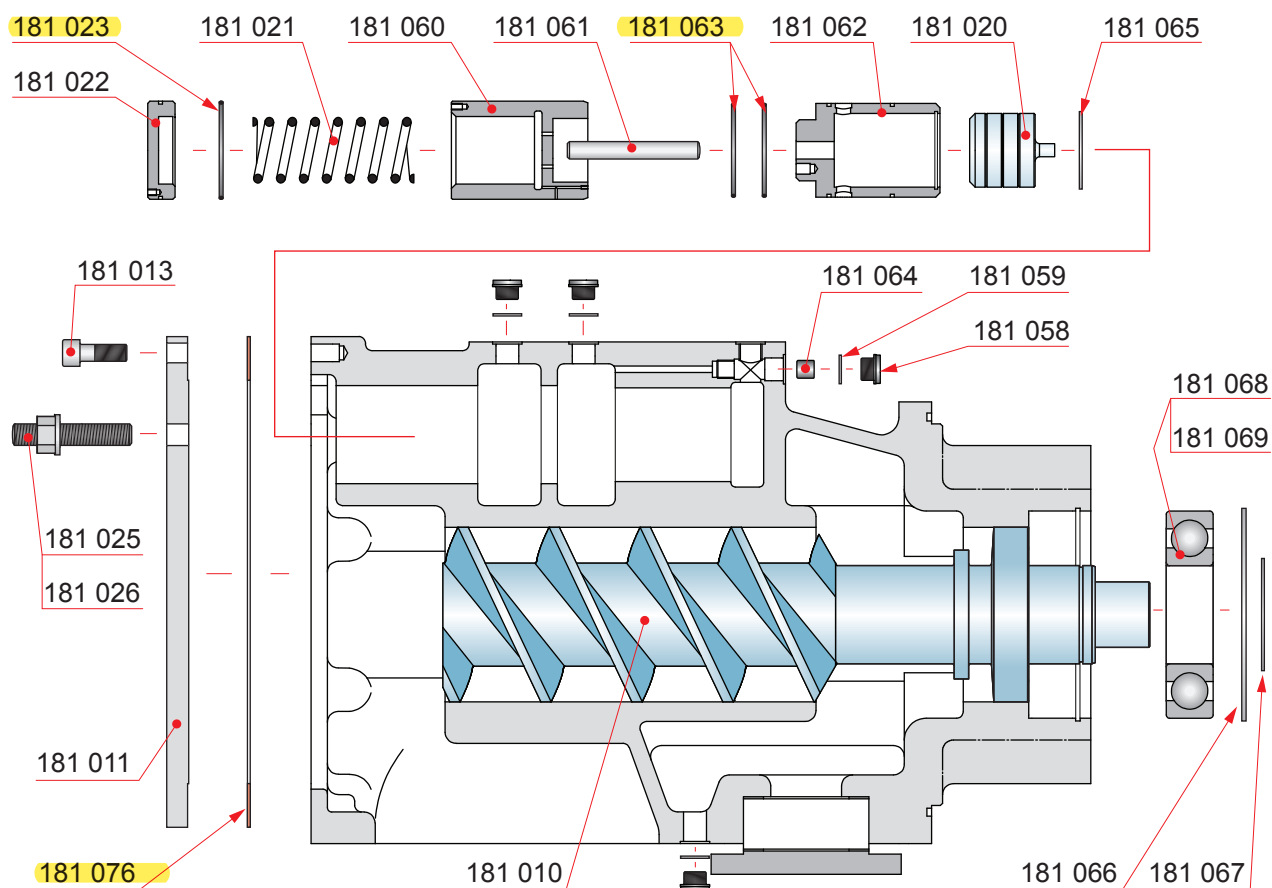
NOTE! (1) Included in Service kit 181 077

NOTE! (2) Included in Valve kit 181 078

Edition: A
Page: 2(4)
Updated: 05.03.2014

APPENDIX A

Lubricating oil pump



Part No.	Description	Qty [Pcs]	Wt. [Kg]	Part No.	Description	Qty [Pcs]	Wt. [Kg]
181 010	Drive shaft (3)	1	80.0	NOTE!	(1) Included in Service kit 181 077		
181 011	Cover	1	-	NOTE!	(2) Included in Valve kit 181 078		
181 013	Screw	9	-	NOTE!	(3) Included in Spindle set 181 079		
181 020	Piston (2)	1	-				
181 021	Compression spring (2)	1	-				
181 022	Spring holder (2)	1	-				
181 023	O-ring (2)	1	-				
181 025	Screw (2)	1	-				
181 026	Nut (2)	1	-				
181 058	Screw (1) (2)	7	-				
181 059	Sealing ring (1) (2)	7	-				
181 060	Valve cone (2)	1	-				
181 061	Cylindrical pin (2)	1	-				
181 062	Valve sleeve (2)	1	-				
181 063	O-ring (2)	2	-				
181 064	Non-return valve (2)	1	-				
181 065	Circlip (2)	1	-				
181 066	Circlip (1)	1	0.2				
181 067	Circlip (1)	1	-				
181 068	Spacer ring	1	-				
181 069	Ball bearing (1)	1	5.0				
181 076	Gasket (2)	1	-				

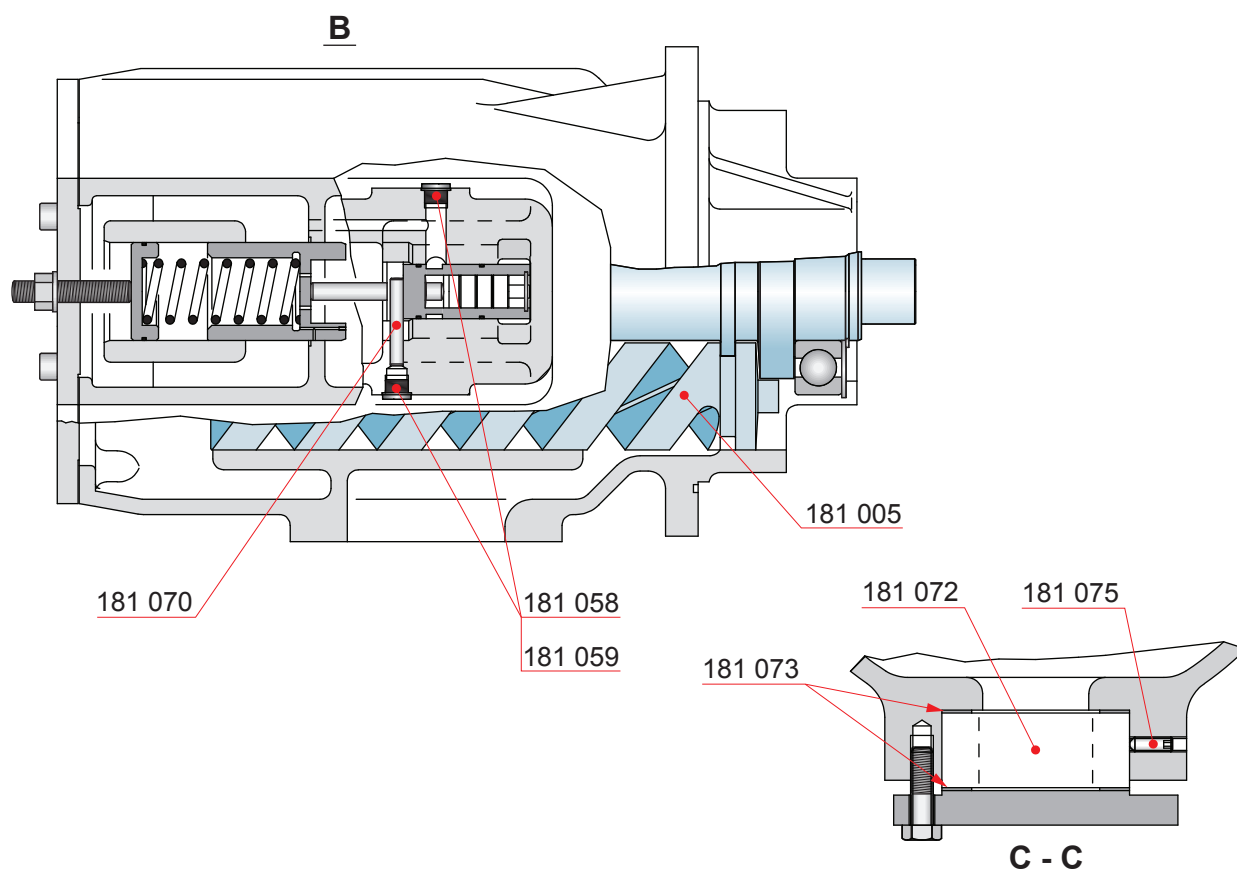
APPENDIX A

Edition: A

Page: 3(4)

Updated: 05.03.2014

Lubricating oil pump



Part No.	Description	Qty [Pcs]	Wt. [Kg]
181 005	Drive shaft (3)	2	30.0
181 058	Screw (1) (2)	7	-
181 059	Sealing ring (1) (2)	7	-
181 070	Threaded pin (2)	1	-
181 072	Non-return valve	1	0.5
181 073	Gasket	2	-
181 075	Threaded pin	1	-

NOTE! (1) Included in Service kit 181 077

NOTE! (2) Included in Valve kit 181 078

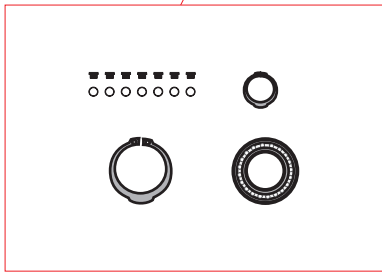
NOTE! (3) Included in Spindle set 181 079

Edition: A
 Page: 4(4)
 Updated: 05.03.2014

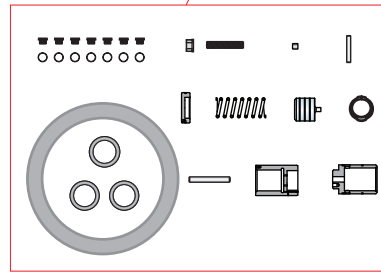
APPENDIX A

Lubricating oil pump

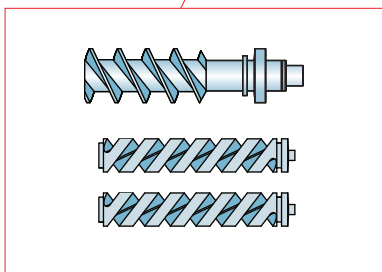
181 077



181 078



181 079



Part No.	Description	Qty [Pcs]	Wt. [Kg]
181 077	Service kit	1	-
181 078	Valve kit	1	-
181 079	Spindle set	1	140

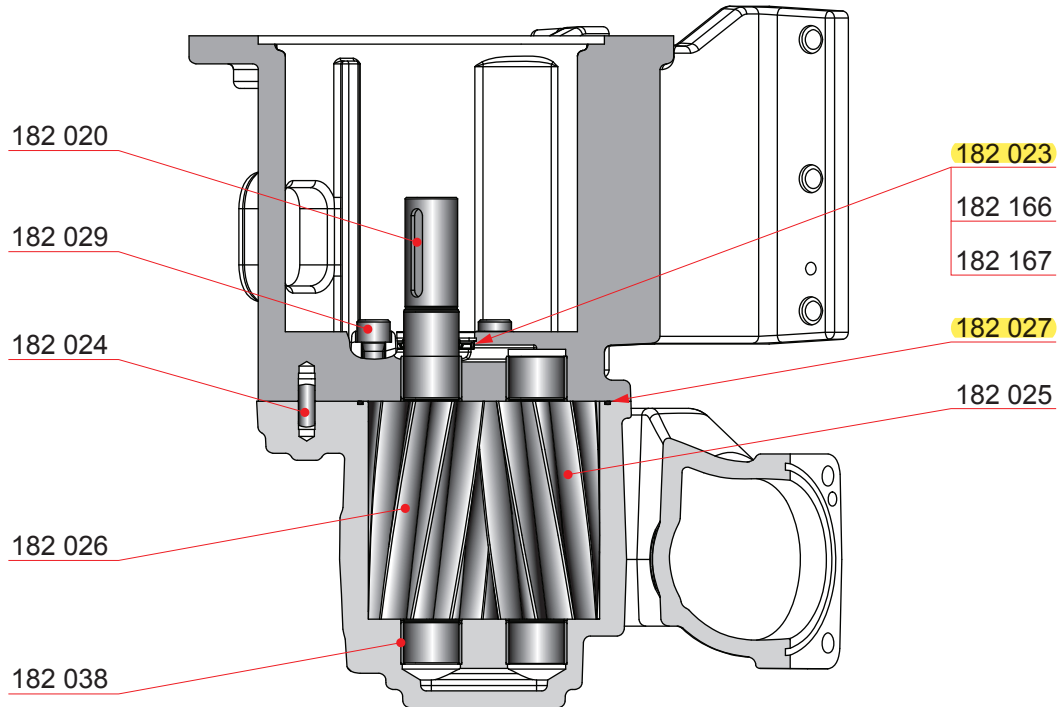
APPENDIX A

Edition: B

Page: 3(3)

Updated: 31.01.2012

Prelubricating oil pump

Section B - B

Part No.	Description	Qty [Pcs]	Wt. [Kg]
182 020	Key	1	-
182 023	Seal (2)	1	-
182 024	Pin	2	-
182 025	Gear shaft	1	5.6
182 026	Drive gear shaft	1	6.5
182 027	O-ring (2)	1	-
182 029	Screw	4	0.3
182 038	Bearing bush	4	-
182 062	Sealing set (1)	1	-
182 166	Retainer ring	1	-
182 167	Shim ring	1	-

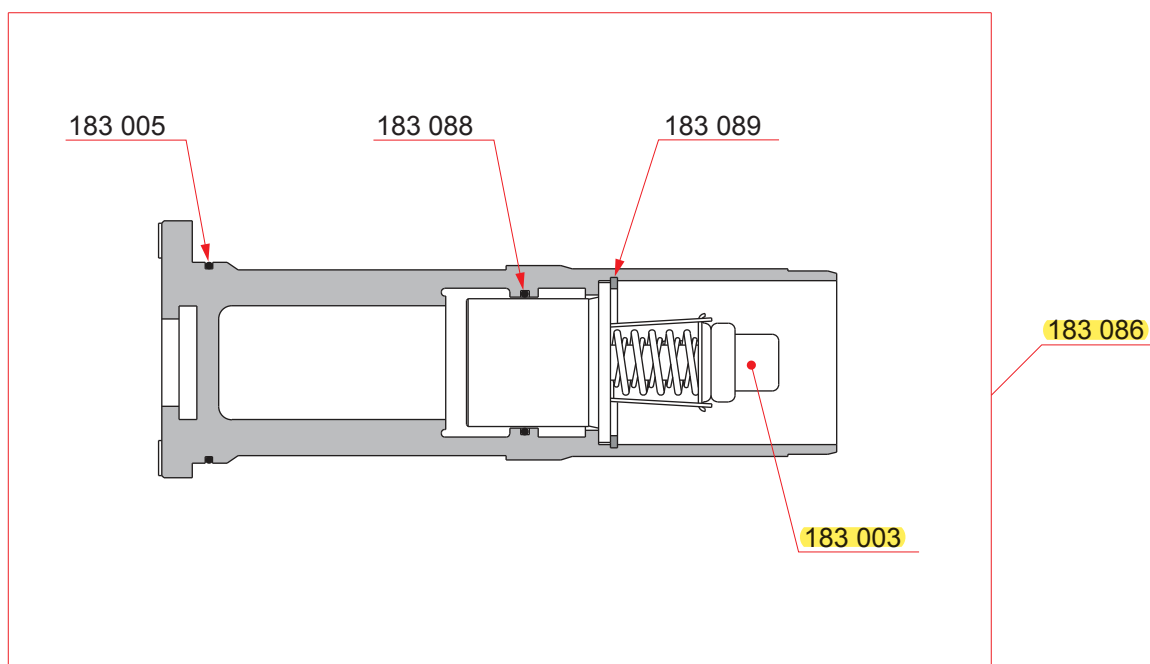
NOTE! (1) Sealing set includes items marked
(2)

APPENDIX A

Edition: A

Page: 1(1)

Updated: 16.01.2013

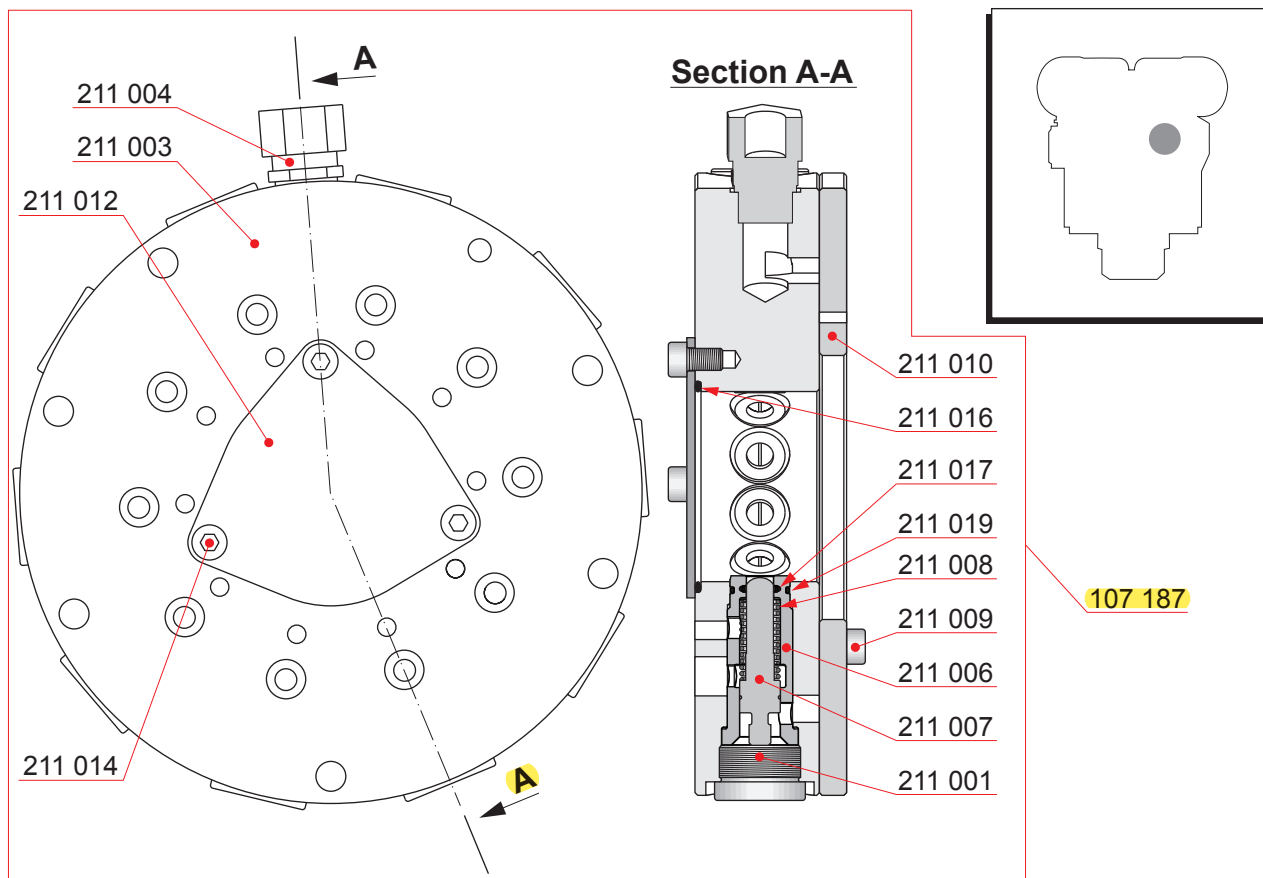
Thermostatic element assembly

Part No.	Description	Qty [Pcs]	Wt. [Kg]
183 086	Thermostatic element assembly	1	-
183 003	Thermostatic element	1	0.7
183 005	O-ring	1	-
183 088	O-ring (1)	1	-
183 089	Retaining ring (1)	1	-
183 087	Service kit	1	0.5
183 005	O-ring	1	-
183 088	O-ring (1)	1	-
183 089	Retaining ring (1)	1	-

NOTE! (1) Parts available only in service kit.

APPENDIX A

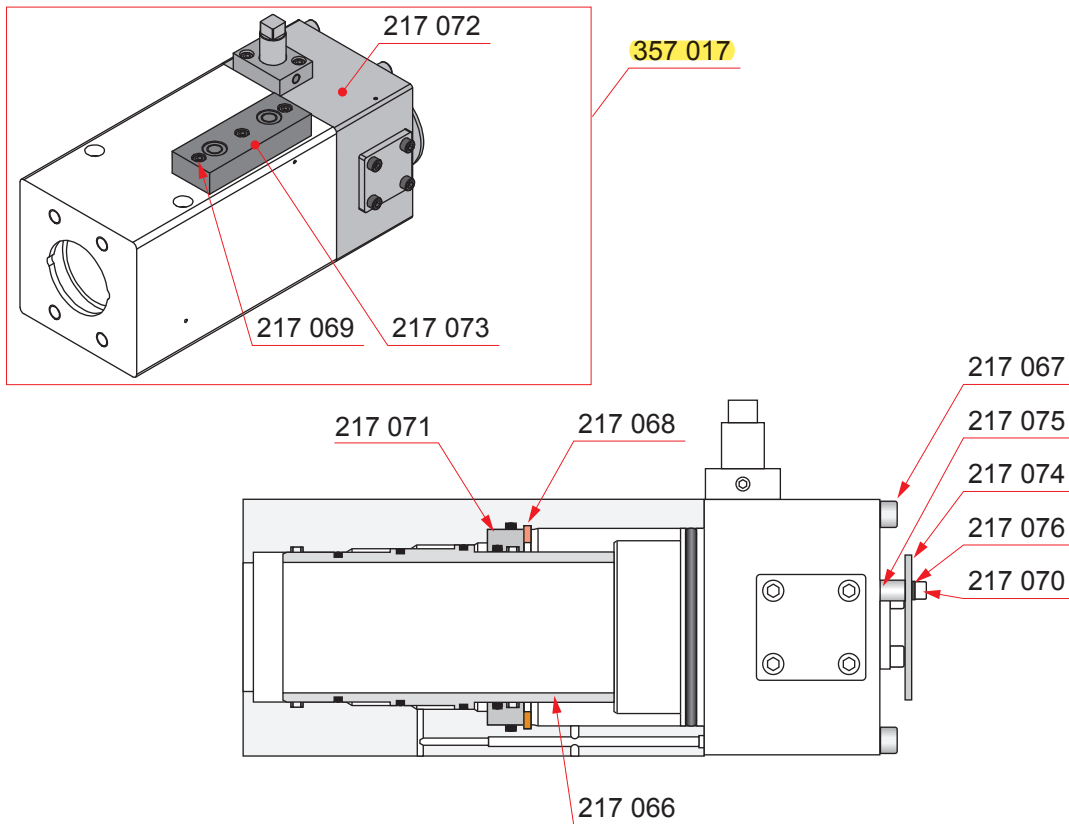
Starting air distributor



Part No.	Description	Qty [Pcs]	Wt. [Kg]
107 187	Distributor	1	-
211 001	Plug	10	-
211 003	Housing	1	-
211 004	Pipe union	1	-
211 006	Bush	10	-
211 007	Slide	10	-
211 008	Spring	10	-
211 009	Screw	2	-
211 010	Plate	1	-
211 012	Cover	1	-
211 014	Screw	3	-
211 016	O-ring	1	-
211 017	O-ring	10	-
211 019	O-ring	1	-

APPENDIX A

Starting valve



Part No.	Description	Qty [Pcs]	Wt. [Kg]
357 017	Main starting valve	1	-
217 066	Piston	1	-
217 067	Screw	4	-
217 068	Locking ring	1	-
217 069	Screw	3	-
217 070	Screw	2	-
217 071	Sealing ring	1	-
217 072	Starting valve assembly (1) (2)	1	-
217 073	Plate	1	-
217 074	Disc	1	-
217 075	Pipe	2	-
217 076	Washer	2	-

NOTE! (1) See page 4.

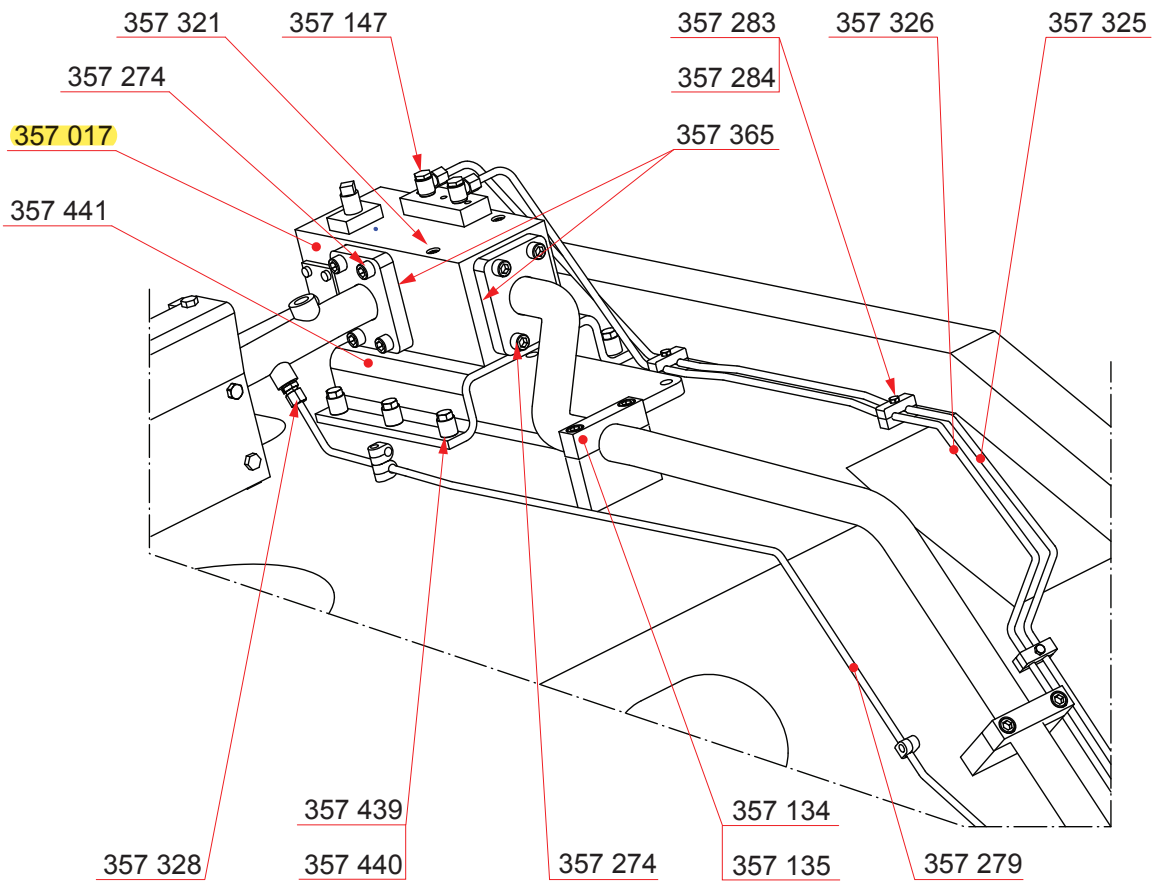
NOTE! (2) Not available separately.

Edition: C

Page: 2(5)

Updated: 24.06.2014

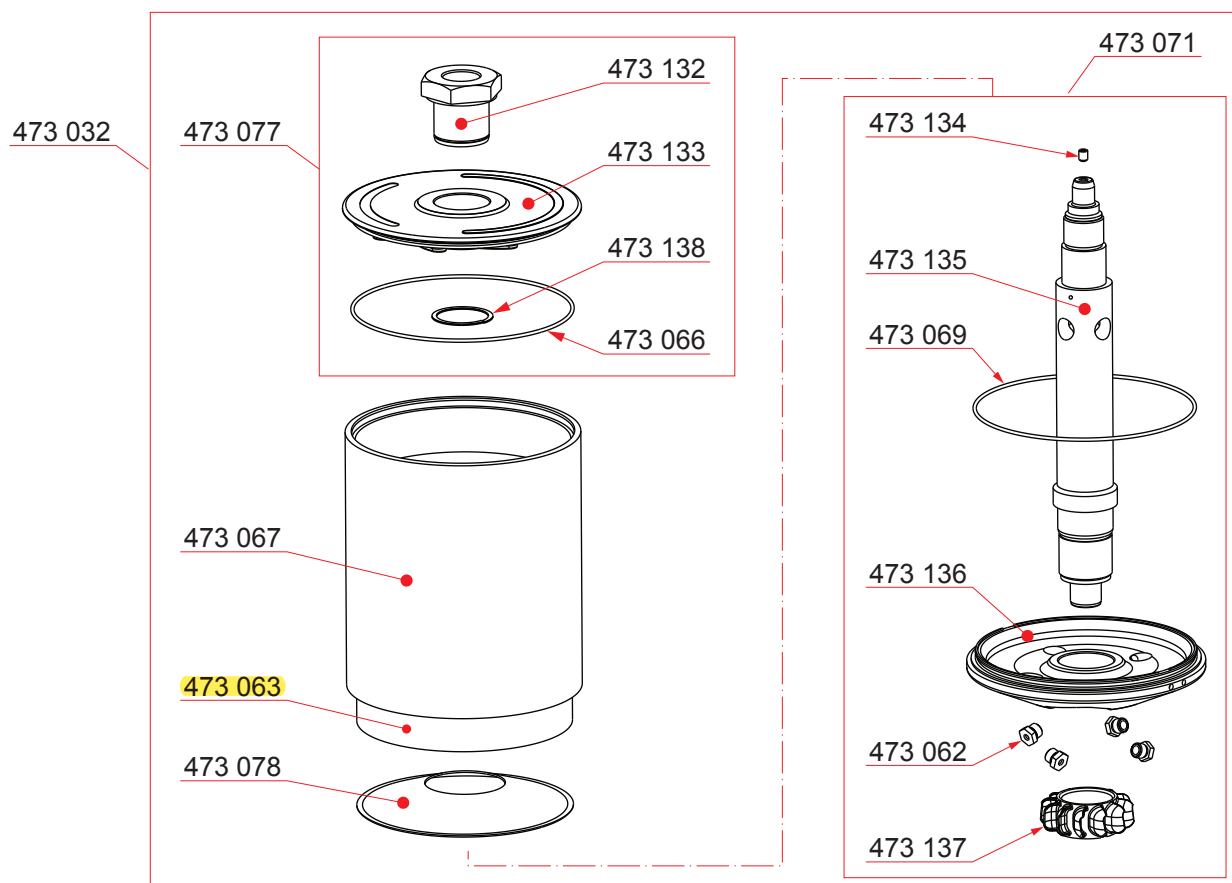
APPENDIX A

Starting air system with slow turning system

Part No.	Description	Qty [Pcs]	Wt. [Kg]
357 017	Main starting valve	1	11.5
357 134	Pipe clamp	2	1.4
357 135	Screw	4	0.1
357 147	Pipe union	2	-
357 274	Screw	8	-
357 279	Pipe	1	0.5
357 283	Pipe clamp	4	-
357 284	Screw	4	-
357 321	Screw	2	-
357 325	Pipe	1	0.4
357 326	Pipe	1	0.4
357 328	Pipe union	1	-
357 365	O-ring	2	-
357 439	Distance sleeve	6	-
357 440	Screw	6	-
357 441	Bracket	1	6.5

APPENDIX A

Centrifugal filter

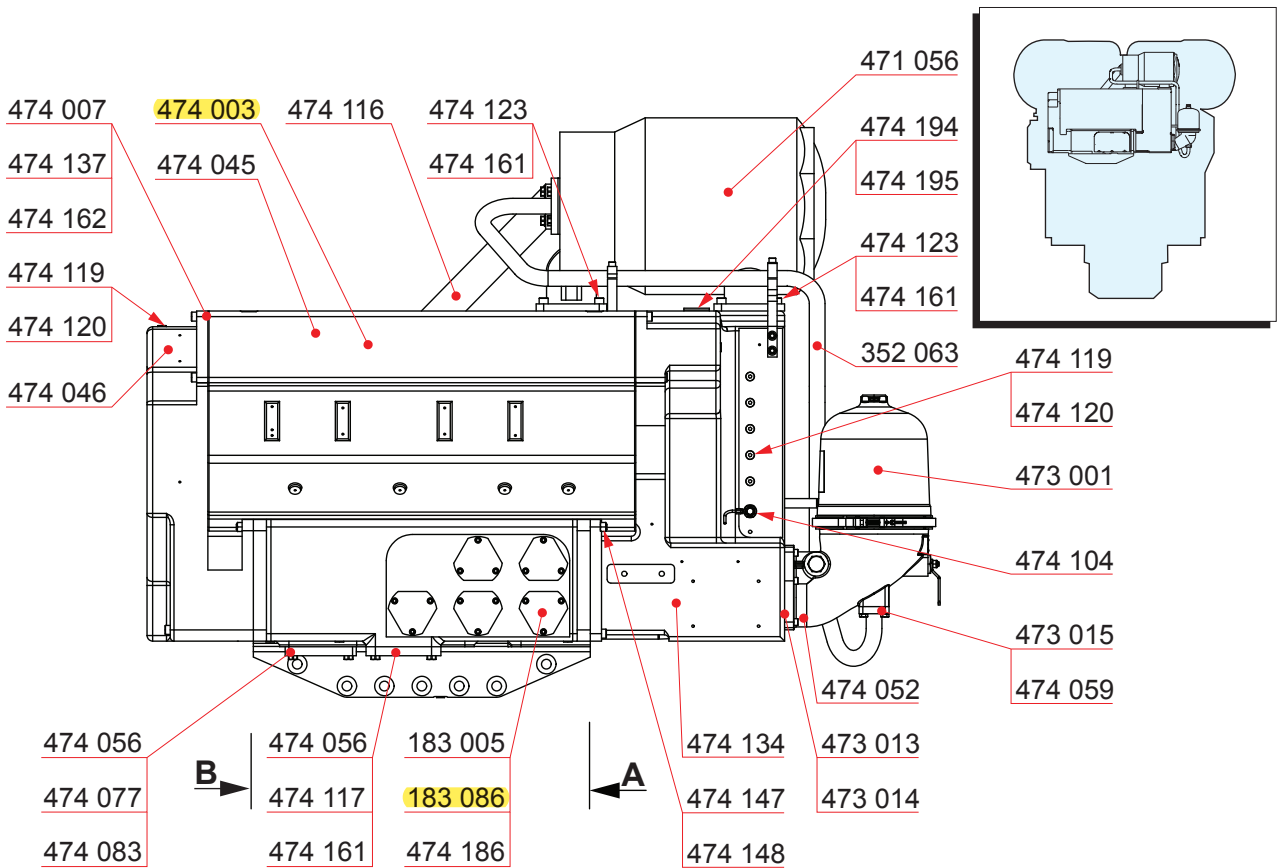


Part No.	Description	Qty [Pcs]	Wt. [Kg]
473 032	Rotor, compl.	1	-
473 063	Cartridge	1	-
473 067	Rotor tube	1	-
473 071	Rotor subassembly	1	-
473 062	Nozzle *	4	-
473 069	O-ring *	1	-
473 134	Grub screw *	1	-
473 135	Spindle *	1	-
473 136	Rotor base *	1	-
473 137	Pelton wheel *	1	-
473 077	Rotor cover	1	-
473 066	O-ring *	1	-
473 132	Nut *	1	-
473 133	Rotor cover *	1	-
473 138	Sealing ring *	1	-
473 078	Cone	1	-

NOTE! Spare parts marked with * can not be ordered separately

APPENDIX A

Lube oil module



Part No.	Description	Qty [Pcs]	Wt. [Kg]	Part No.	Description	Qty [Pcs]	Wt. [Kg]
183 005	O-ring	5	-	474 123	Screw	17	-
183 086	Thermostatic element assembly	5	-	474 134	Flange	1	602
352 063	Pipe	1	10.5	474 137	Retainer ring	1	0.3
471 056	Lubricating oil filter (1)	1	-	474 147	Screw	8	-
473 001	Centrifugal filter (2)	1	35.0	474 148	Nut	8	-
473 013	O-ring	1	-	474 161	O-ring	7	-
473 014	O-ring	2	-	474 162	O-ring	2	-
473 015	O-ring	1	-	474 186	Screw	19	-
474 003	Tube stack	1	-	474 194	Sealing ring	2	-
474 007	Gasket	5	0.1	474 195	Plug	2	0.5
474 045	Housing	1	430		NOTE! (1) See section 471-		
474 046	End flange	1	300		NOTE! (2) See section 473-		
474 052	Screw	8	-				
474 056	Screw	12	-				
474 059	Screw	4	-				
474 077	O-ring	2	-				
474 083	Flange	2	6.5				
474 104	Valve	1	0.5				
474 116	Support	1	8.0				
474 117	Flange	1	-				
474 119	Plug	13	-				
474 120	Sealing ring	13	-				

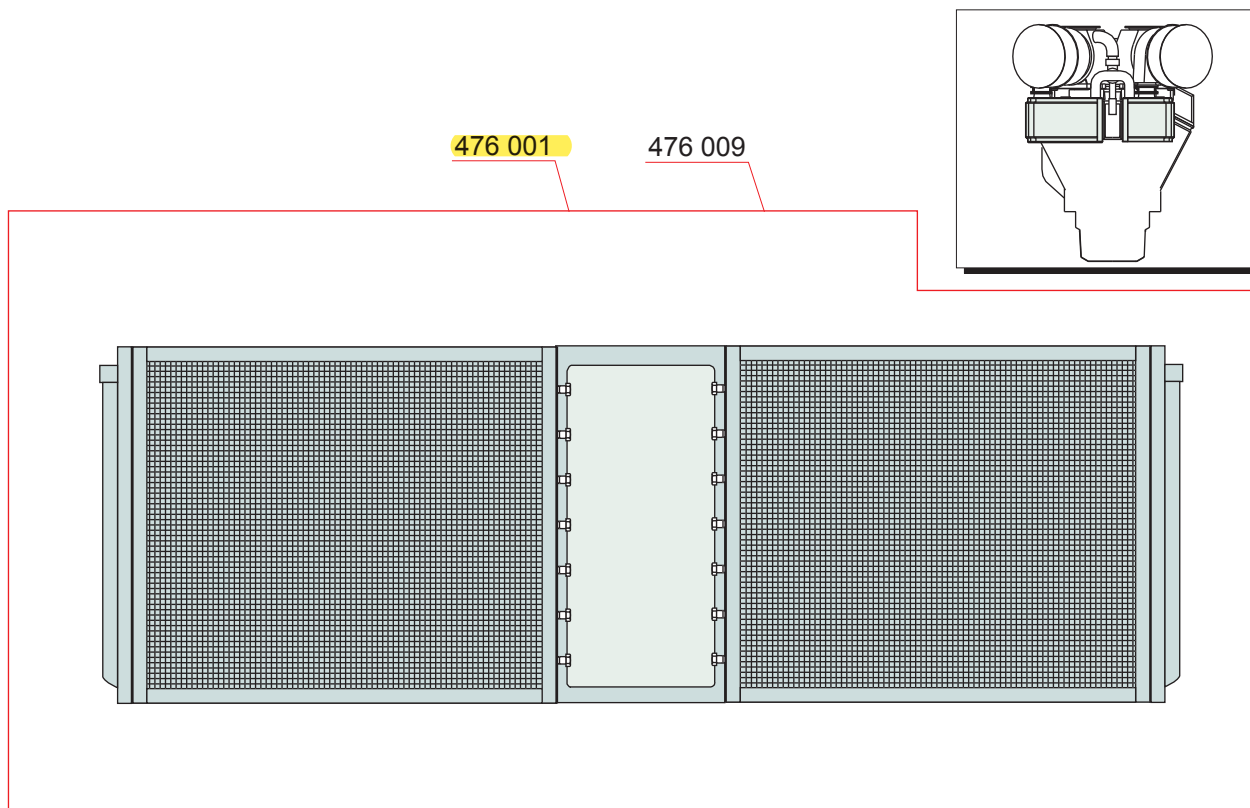
APPENDIX A

Edition: A

Page: 1(1)

Updated: 05.10.2007

Charge air cooler



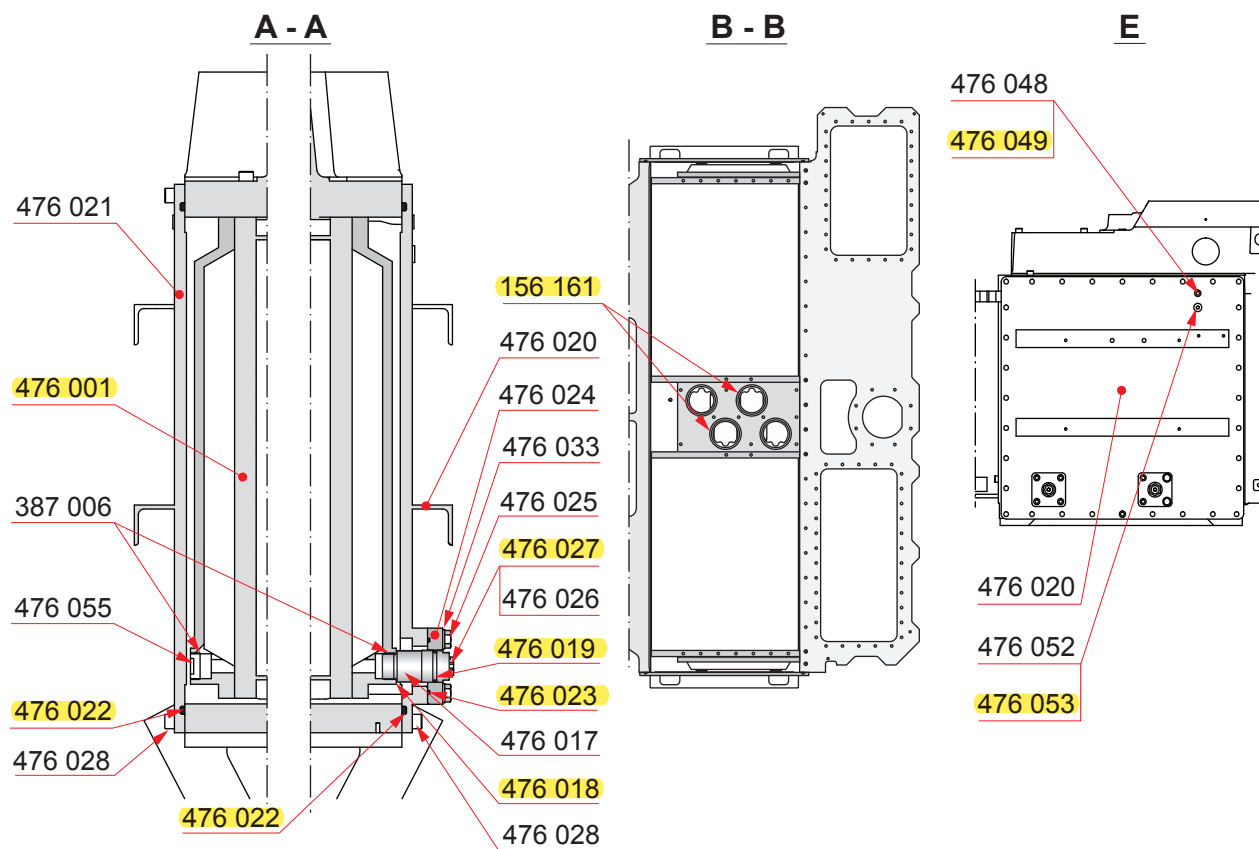
Part No.	Description	Qty [Pcs]	Wt. [Kg]
476 001	Charge air cooler	1	-
476 009	Sealing set (1)	1	-

NOTE! (1) When ordering, please state the serial number and the manufacturer of the air cooler.

Edition: A
Page: 2(3)
Updated: 30.05.2014

APPENDIX A

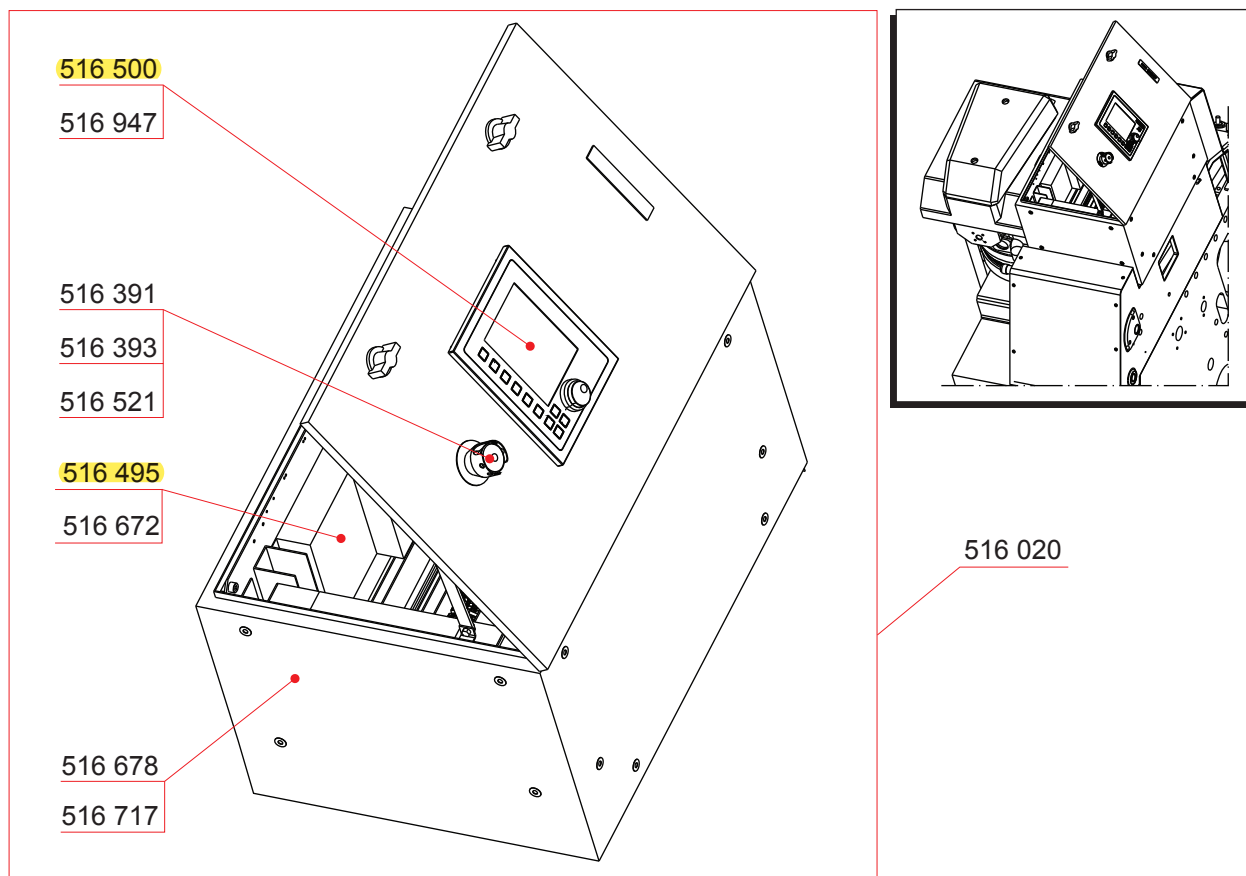
Charge air cooler assembly



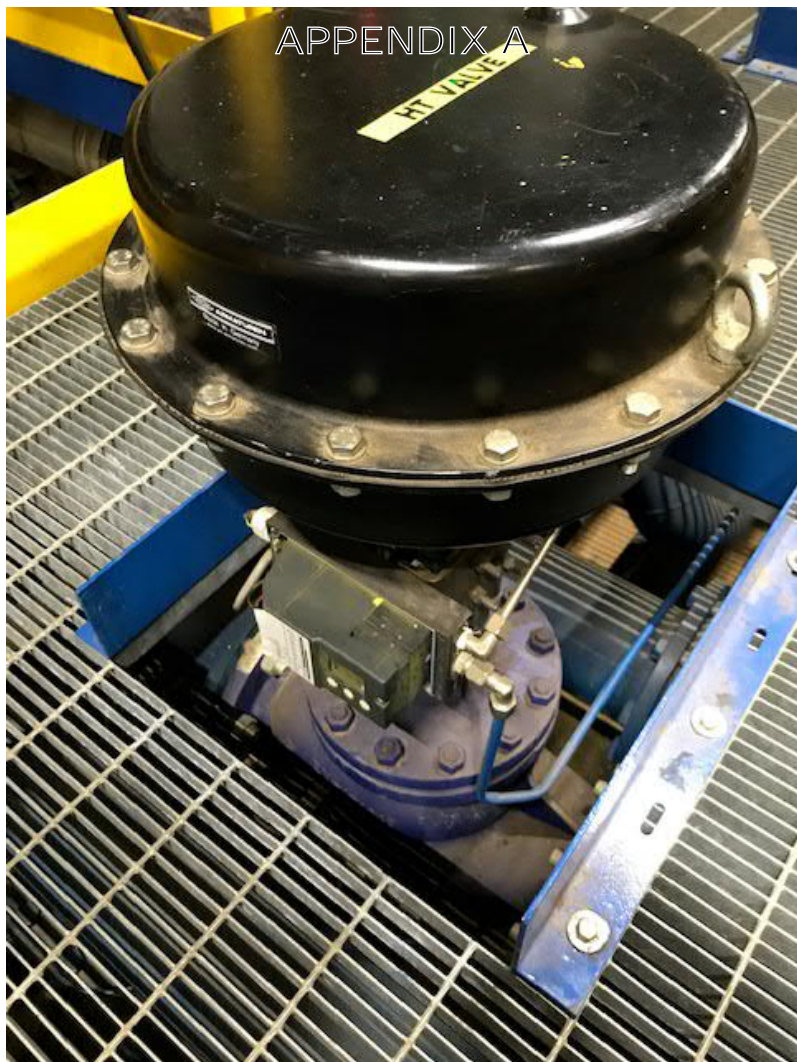
Part No.	Description	Qty [Pcs]	Wt. [Kg]
156 161	O-ring	4	-
476 001	Charge air cooler	1	-
476 017	Plug	2	0.5
476 018	Sealing ring	2	-
476 019	O-ring	2	-
476 020	Cover	1	56.8
476 021	Cover	1	55.2
476 022	O-ring	2	0.1
476 023	O-ring	2	-
476 024	Flange	2	1.0
476 025	Screw	8	-
476 026	Plug	2	-
476 027	Sealing ring	2	-
476 028	Screw	64	-
476 033	Washer	8	-
476 048	Plug	2	-
476 049	Sealing ring	2	-
476 052	Plug	1	-
476 053	Sealing ring	1	-
476 055	Plug	2	-
387 006	Glue compound	1	-

APPENDIX A

Electrical equipment



Part No.	Description	Qty [Pcs]	Wt. [Kg]
516 020	Connecting box	1	-
516 391	Push button	1	-
516 393	Switch	1	-
516 495	Power distribution module	1	-
516 500	Display unit	1	-
516 521	Guard	1	-
516 672	Resistor 470 R	1	-
516 678	Corrosion protection	1	-
516 717	Box for connecting box	1	-
516 947	Connector	1	-



Item MOD203 -
Control Valve Assembly
(HT 3-Way Valve)



APPENDIX A

Item # FBLGS-1260-12
Radiator Tube Assembly
(Lower Part/Tubes only;
Without Fans, Electric Motors, Etc.)

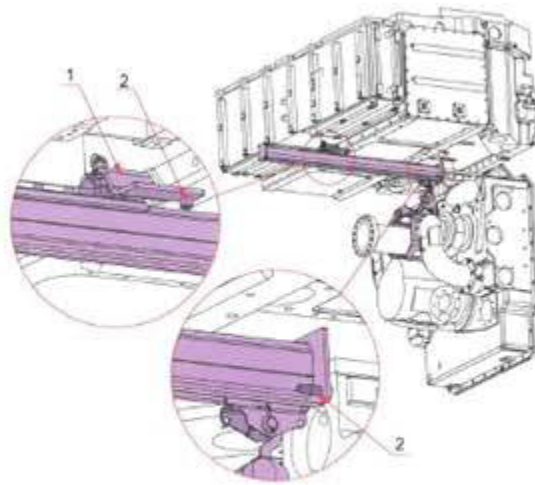


APPENDIX A

Item # 836 021 Lifting Device

Wärtsilä 3450 Engine O&MM

18. Lubricating Oil System



- 1 Lifting tool
- 2 Fastening screws

Fig 18-4 Removing the lubricating oil pump with equipment

- 3 Open the pump fastening screws.
- 4 Remove the pump.