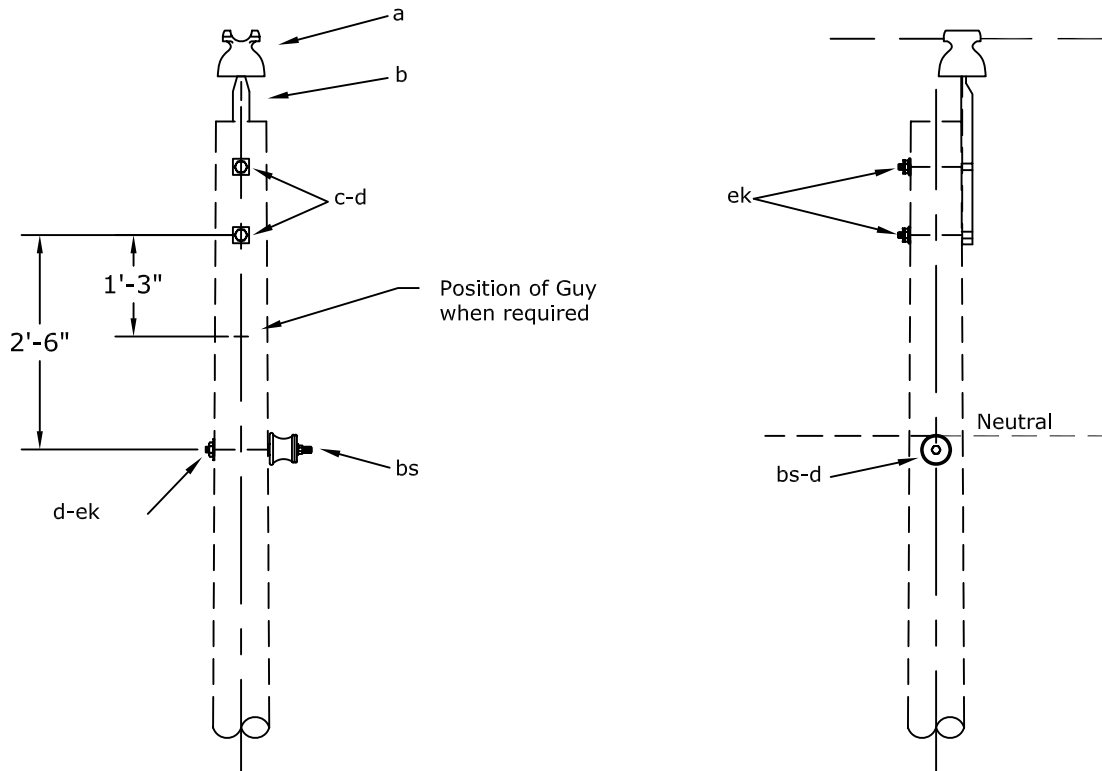


POLE TOP PIN ASSEMBLY



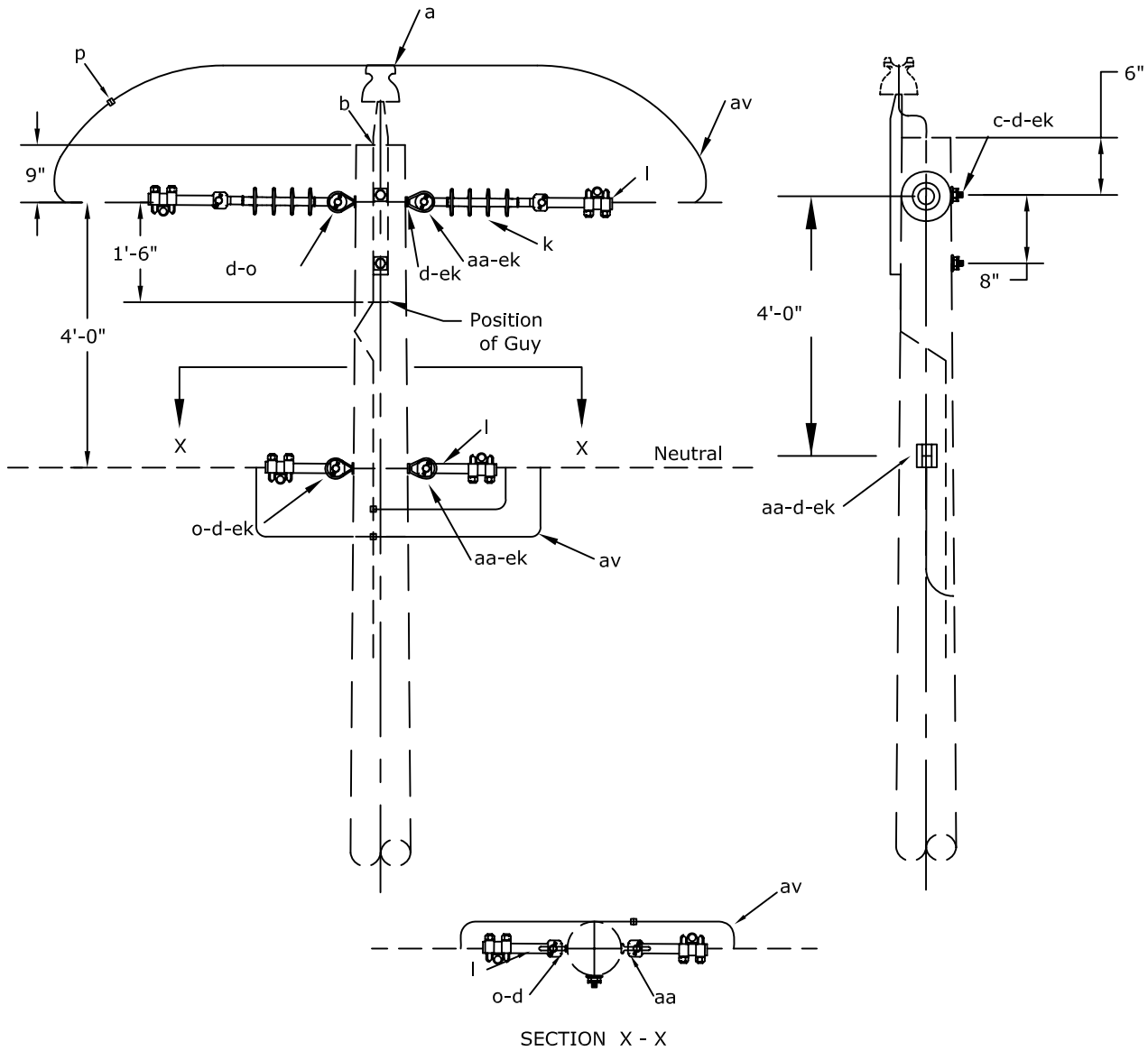
NOTES:

- 1- Maximum transverse load: 500 lbs. per conductor
- 2- Maximum line angle within load limits: 5°

MATERIAL LIST

Item	COA Commodity Code	Qty.	Description
a	2857402299	1	Insulator, Pin Type
b	2857402314	1	Pin, Pole Top, 20"
c	28574020XM	2	Bolt, Machine, 5/8" x Required Length
d	2857402322	3	Washer, 2 1/4" Square With 13/16" Hole
bs	28574020XU	1	Bolt, Single Upset, 5/8" x Required Length
ah	2801602124	12	Tie Wire, #4 Al (Feet)
cm	2857402304	1	Insulator, Spool
ek	285740XXXX	3	Locknut, 5/8"

<p>City of Alexandria</p> <p>Electric Distribution</p>	<p>12.5/7.2kV SINGLE PHASE TANGENT STRUCTURE SINGLE PRIMARY SUPPORT</p>	DATE: 04-10-07
		<p>STANDARD NUMBER</p> <p>A1</p>



MATERIAL LIST

Item	COA Commodity Code	Qty.	Description
a	2857402299	1	Insulator, Pin Type
b	2857402314	1	Pin, Pole Top, 20"
c	28574020XM	2	Bolt, Machine, 5/8" x Required Length
d	2857402322	6	Washer, 2 1/4" Square With 13/16" Hole
k	2857402300	2	Insulator, Suspension, Polymer
l	2857402140	4	Clamp, Deadend
o	28574020XE	4	Bolt, Oval Eye, 5/8" x Required Length
p	28574022XX	3	Connector, Sized As Required
aa	2857402310	2	Nut, Oval Eye, 5/8"
ah	2801602124	5	Tie Wire, #4 Al (Feet)
av	NA	2	Jumper, Sized As Required
ek	285740XXXX	2	Locknut, 5/8"

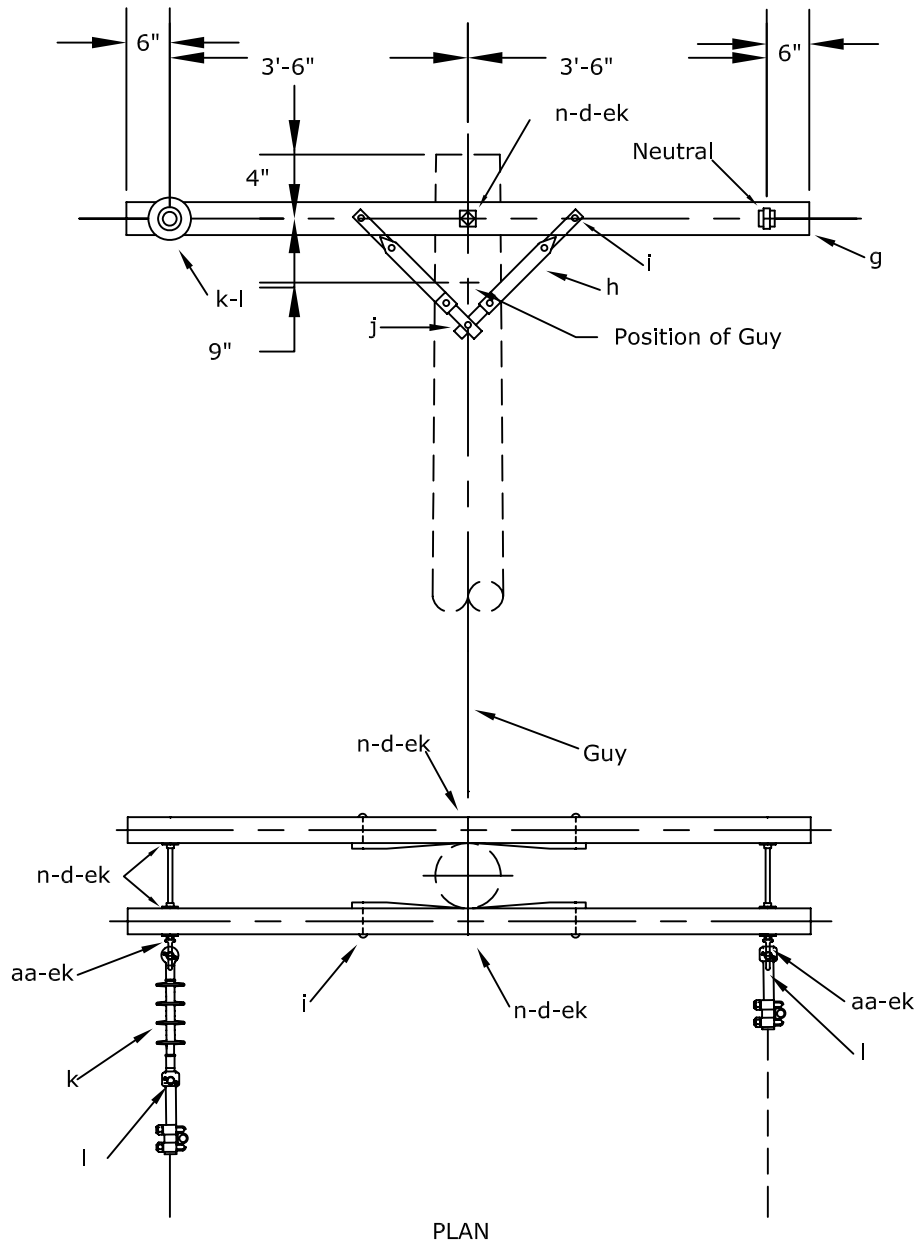
City of  
Alexandria  
Electric Distribution

12.5/7.2kV SINGLE PHASE  
DOUBLE-DEADEND STRUCTURE - VERTICAL

DATE: 04-10-07

STANDARD  
NUMBER

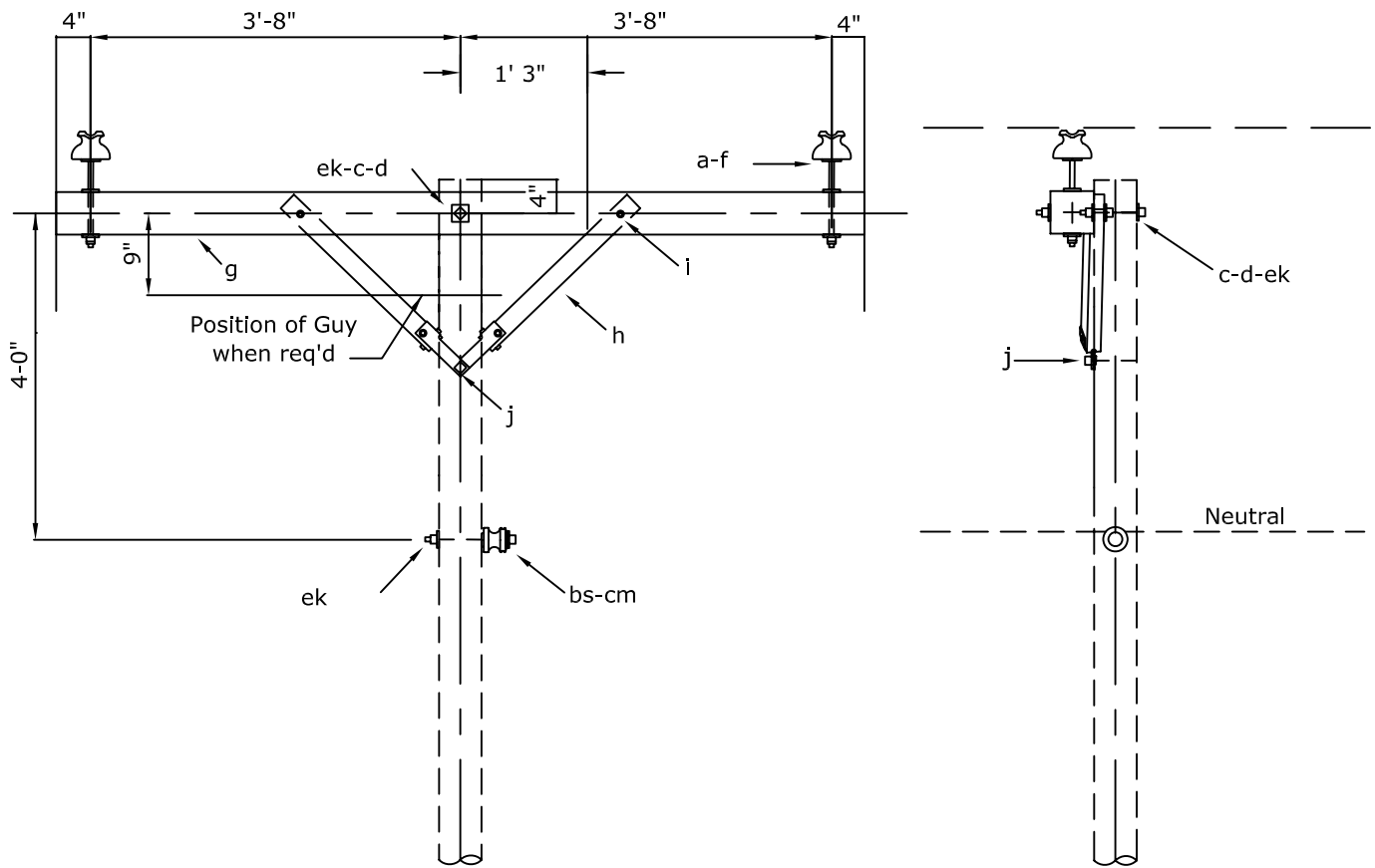
A6



MATERIAL LIST

Item	COA Commodity Code	Qty.	Description
d	2857402322	10	Washer, 2 1/4" Square With 13/16" Hole
g	2857802041	2	Crossarm, 3 3/4" x 4 3/4" x 8', Wood
h	2857802044	4	Brace, 28", Wood
i	2857402021	4	Carriage Bolt, 3/8" x 4 1/2"
j	2857402320	2	Lag Screw, 1/2" x 4"
k	2857402300	1	Insulator, Suspension, Polymer
l	2857402140	2	Clamp, Deadend
n	28574020XD	3	Bolt, Double Arming, 5/8" x Required Length
aa	2857402310	2	Nut, Oval Eye, 5/8"
ek	285740XXXX	10	Locknut, 5/8"

<p>City of Alexandria</p> <p>Electric Distribution</p>	<p>12.5/7.2kV SINGLE PHASE CROSSARM DEADEND STRUCTURE</p>	DATE: 04-10-07
		<p>STANDARD NUMBER</p> <p>A7</p>



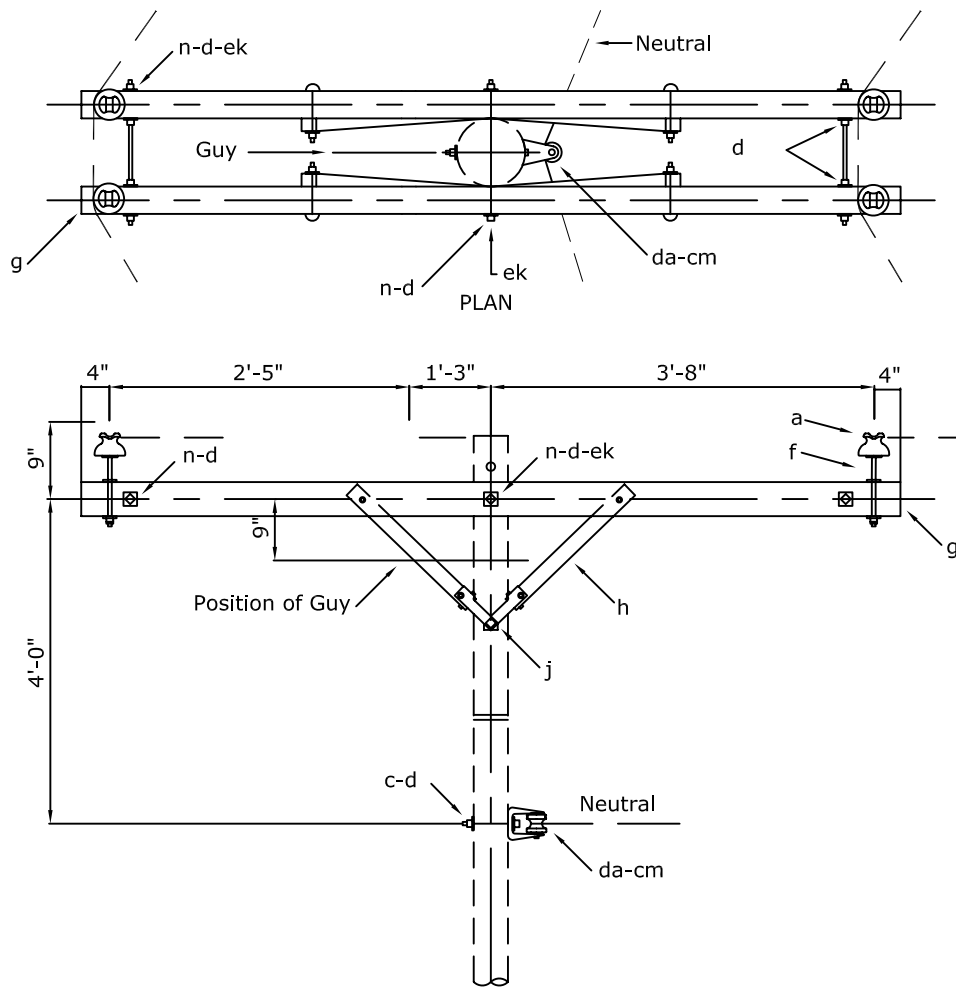
**NOTES:**

- 1- Maximum transverse load: 500 lbs. per conductor.
- 2- Maximum line angle within load limits: 5°.

**MATERIAL LIST**

Item	COA Commodity Code	Qty.	Description
a	2857402299	2	Insulator, Pin Type
c	28574020XM	1	Bolt, Machine, 5/8" x Required Length
d	2857402322	5	Washer, 2 1/4" Square With 13/16" Hole
f	2857802046	2	Steel Crossarm Pin
g	2857802041	1	Crossarm, 3 3/4" x 4 3/4" x 8', Wood
h	2857802044	2	Brace, 28", Wood
i	2857402021	2	Carriage Bolt, 3/8" x 4 1/2"
j	2857402320	1	Lag Screw, 1/2" x 4"
ah	2801602124	21	Tie Wire, #4 Al (Feet)
bs	28574020XU	1	Bolt, Single Upset, 5/8" x Required Length
cm	2857402304	1	Insulator, Spool
ek	285740XXXX	3	Locknut, 5/8"

<p><i>City of Alexandria</i></p> <p><i>Electric Distribution</i></p>	<p>12.5/7.2kV CROSSARM TANGENT STRUCTURE SINGLE LINE ARM</p>	DATE: 04-10-07
		<p>STANDARD NUMBER</p> <p><b>B1</b></p>



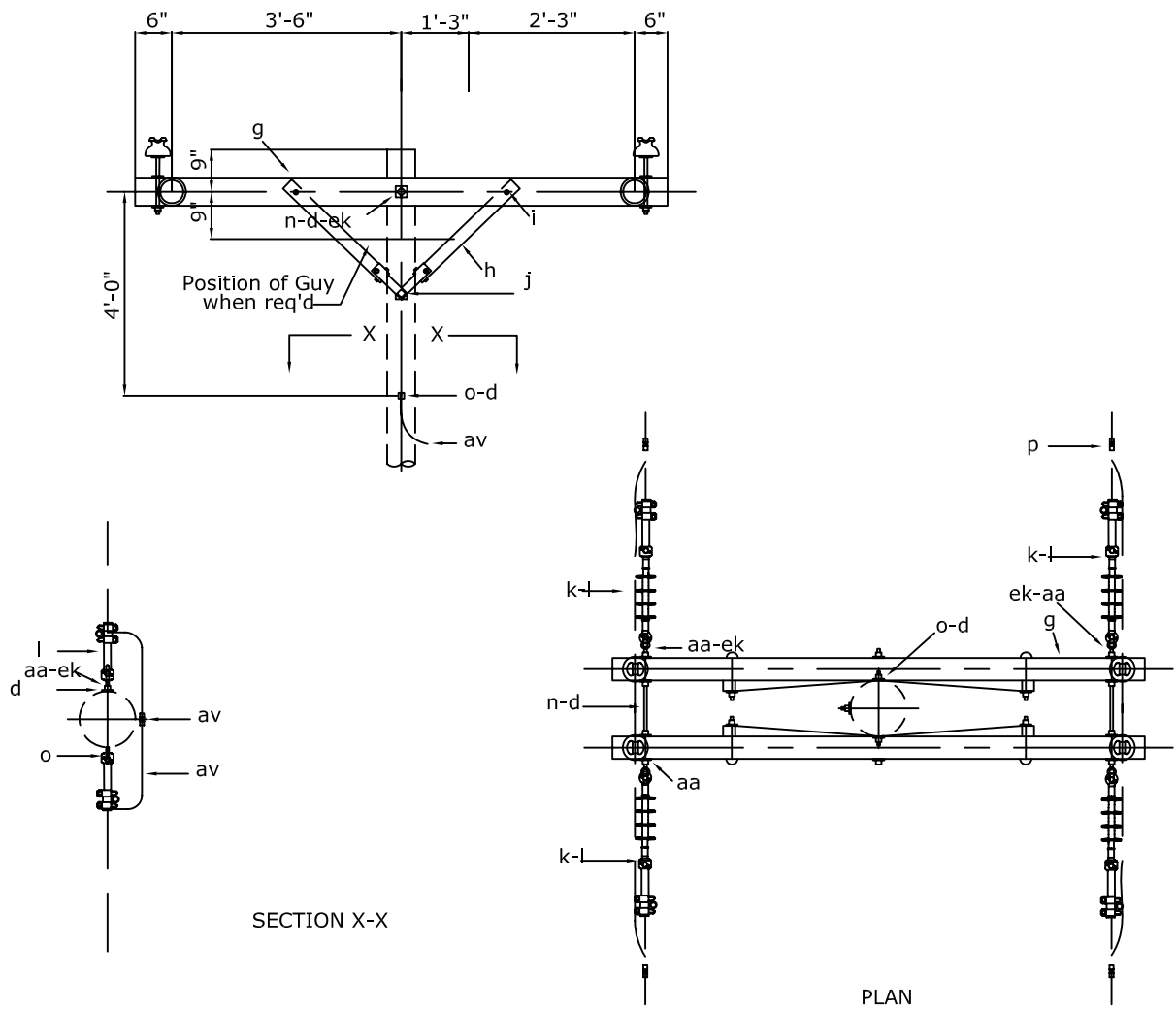
NOTES:

- 1- Maximum traverse load: 1,000 lbs. per conductor.
- 2- Maximum line angle within load limits: 20°

MATERIAL LIST

Item	COA Commodity Code	Qty.	Description
a	2857402299	4	Insulator, Pin Type
c	28574020XM	1	Bolt, Machine, 5/8" x Required Length
d	2857402322	11	Washer, 2 1/4" Square With 13/16" Hole
f	2857802046	4	Steel Crossarm Pin
g	2857802041	2	Crossarm, 3 3/4" x 4 3/4" x 8', Wood
h	2857802044	4	Brace, 28", Wood
i	2857402021	4	Carriage Bolt, 3/8" x 4 1/2"
j	2857402320	2	Lag Screw, 1/2" x 4"
n	28574020XD	3	Bolt, Double Arming, 5/8" x Required Length
ah	2801602124	25	Tie Wire, #4 Al (Feet)
cm	2857402304	1	Insulator, Spool
da	2857402307	1	Bracket, Rigid Clevis
ek	285740XXXX	15	Locknut, 5/8"

<p><i>City of Alexandria</i></p> <p><i>Electric Distribution</i></p>	<p>12.5/7.2kV CROSSARM SMALL ANGLE STRUCTURE DOUBLE LINE ARM</p>	<p>DATE: 04-10-07</p>
		<p>STANDARD NUMBER</p> <p><b>B2</b></p>



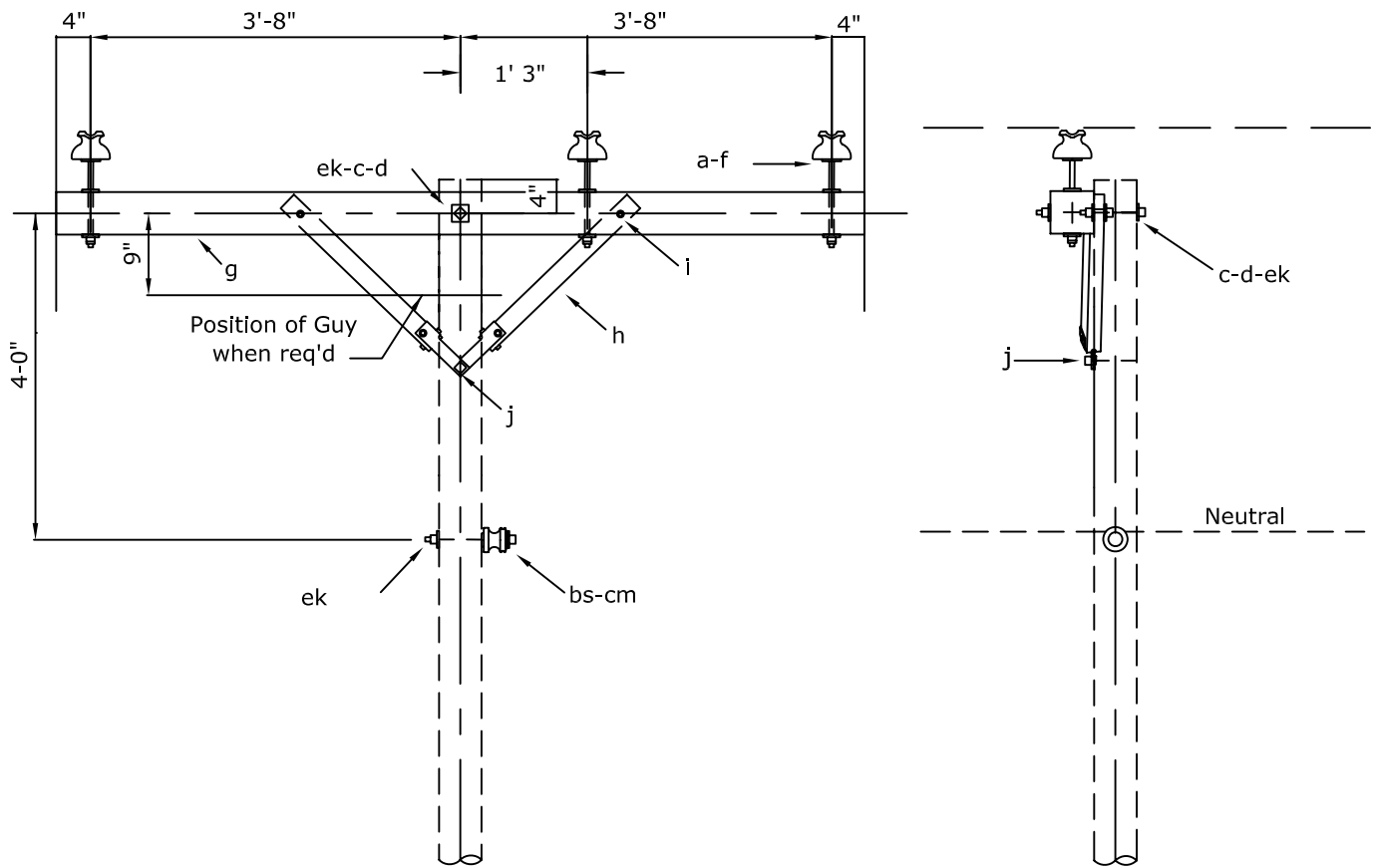
NOTES:

1- Maximum unbalance tension not to exceed 1000 lbs per conductor.

MATERIAL LIST

Item	COA Commodity Code	Qty.	Description
a	2857402299	6	Insulator, Pin Type
d	2857402322	16	Washer, 2 1/4" Square With 13/16" Hole
f	2857802046	6	Steel Crossarm Pin
g	2857802041	2	Crossarm, 3 3/4" x 4 3/4" x 8', Wood
h	2857802044	4	Brace, 28", Wood
i	2857402021	4	Carriage Bolt, 3/8" x 4 1/2"
j	2857402320	2	Lag Screw, 1/2" x 4"
k	2857402300	6	Insulator, Suspension, Polymer
l	2857402140	8	Clamp, Deadend
n	28574020XD	6	Bolt, Double Arming, 5/8" x Required Length
p	28574022XX	8	Connector, Sized As Required
aa	2857402310	6	Nut, Oval Eye, 5/8"
ah	2801602124	30	Tie Wire, #4 Al (Feet)
av	NA	4	Jumper, Sized As Required
ek	285740XXXX	15	Locknut, 5/8"

<p>City of Alexandria</p> <p>Electric Distribution</p>	<p>12.5/7.2kV CROSSARM DOUBLE DEADEND DOUBLE DEADEND STRUCTURE</p>	DATE: 04-10-07
		<p>STANDARD NUMBER</p> <p>B8</p>



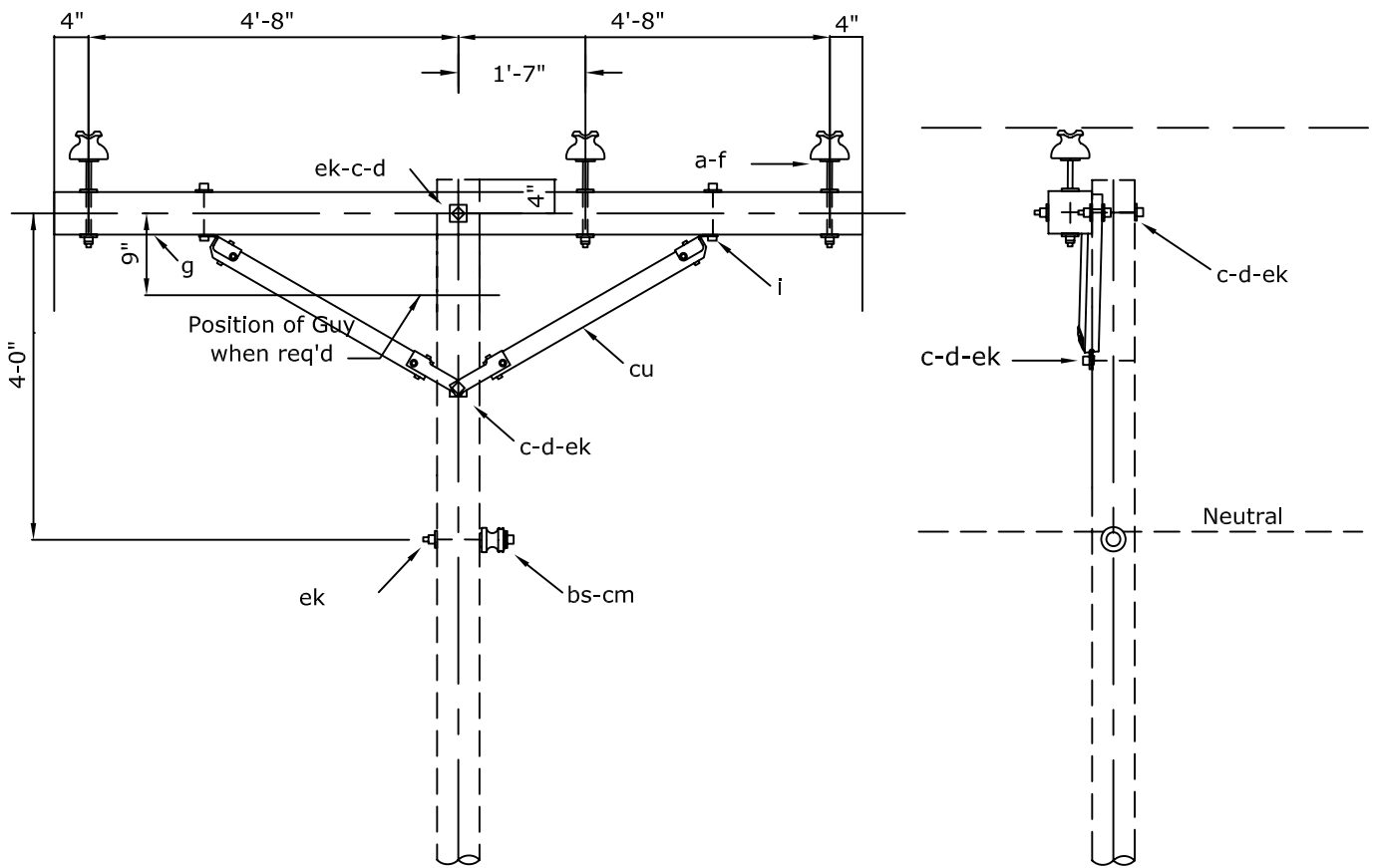
**NOTES:**

- 1- Maximum transverse load: 500 lbs. per conductor.
- 2- Maximum line angle within load limits: 5°.

**MATERIAL LIST**

Item	COA Commodity Code	Qty.	Description
a	2857402299	3	Insulator, Pin Type
c	28574020XM	1	Bolt, Machine, 5/8" x Required Length
d	285740232X	5	Washer, 2 1/4" Square With 13/16" Hole
f	2857802046	3	Steel Crossarm Pin
g	2857802041	1	Crossarm, 3 3/4" x 4 3/4" x 8', Wood
h	2857802044	2	Brace, 28" (Wood or Steel)
i	2857402021	2	Carriage Bolt, 3/8" x 4 1/2"
j	2857402320	1	Lag Screw, 1/2" x 4"
ah	2801602124	25	Tie Wire, #4 Al (Feet)
bs	28574020XU	1	Bolt, Single Upset, 5/8" x Required Length
cm	2857402304	1	Insulator, Spool
ek	285740XXXX	5	Locknut, 5/8"

<p><i>City of Alexandria</i></p> <p><i>Electric Distribution</i></p>	<p>12.5/7.2kV CROSSARM TANGENT STRUCTURE SINGLE LINE ARM</p>	DATE: 04-11-07
		<p>STANDARD NUMBER</p> <p><b>C1A</b></p>



**NOTES:**

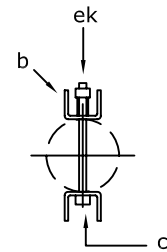
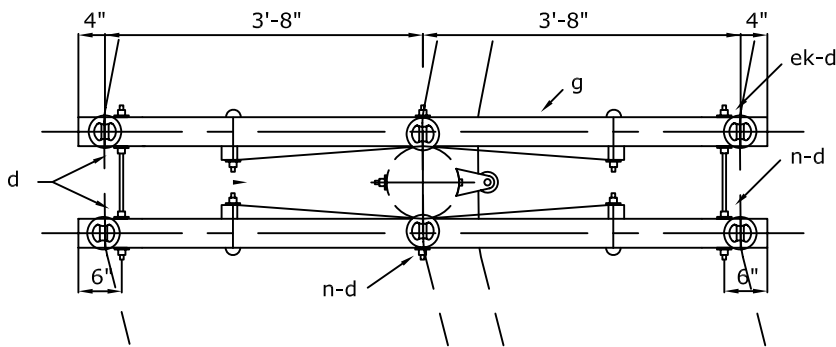
- 1- Install on poles with conductor larger than 1/0 (ACSR or Str. Cu.).
- 2- Maximum line angle within load limits: 5°.

**MATERIAL LIST**

Item	COA Commodity Code	Qty.	Description
a	2857402299	3	Insulator, Pin Type
c	2857402008	2	Bolt, Machine, 1/2" x Required Length
c	28574020XM	2	Bolt, Machine, 5/8" x Required Length
d	2857402321	4	Washer, 1 3/8" Round With 9/16" Hole
d	2857402322	8	Washer, 2 1/4" Square With 13/16" Hole
f	2857802046	3	Steel Crossarm Pin
g	2857802042	1	Crossarm, 3 3/4" x 4 3/4" x 10', Wood
ah	2801602124	25	Tie Wire, #4 Al (Feet)
bs	28574020XU	1	Bolt, Single Upset, 5/8" x Required Length
cm	2857402304	1	Insulator, Spool
cu	2857802043	2	Brace, 60" Span (Wood)
ek	285740XXXX	6	Locknut, 5/8"

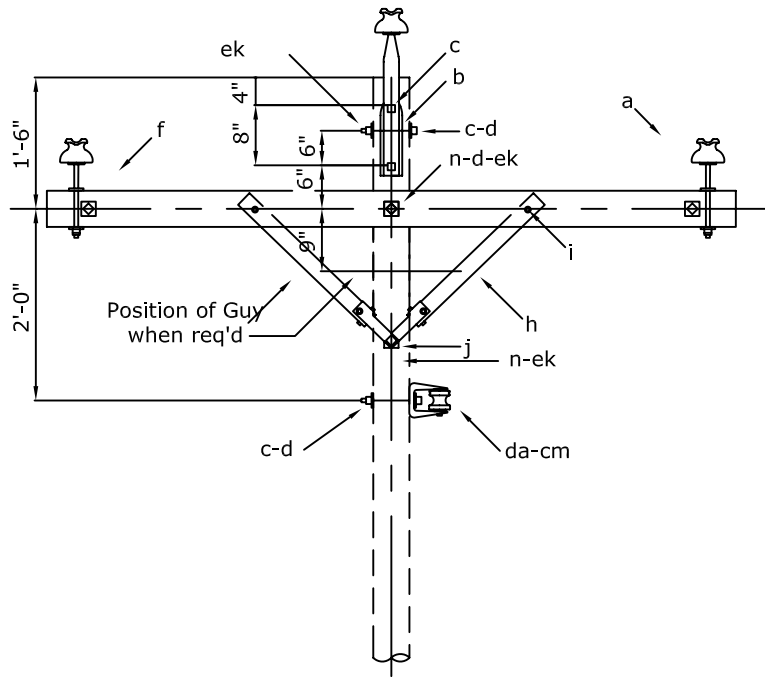
<p><i>City of Alexandria</i></p> <p><i>Electric Distribution</i></p>	<p>12.5/7.2kV CROSSARM TANGENT STRUCTURE SINGLE LINE ARM - LARGE CONDUCTORS</p>	DATE: 04-11-07
		<p>STANDARD NUMBER</p> <p><b>C1AL</b></p>





DETAIL OF POLE TOP PIN ASSEMBLY

PLAN



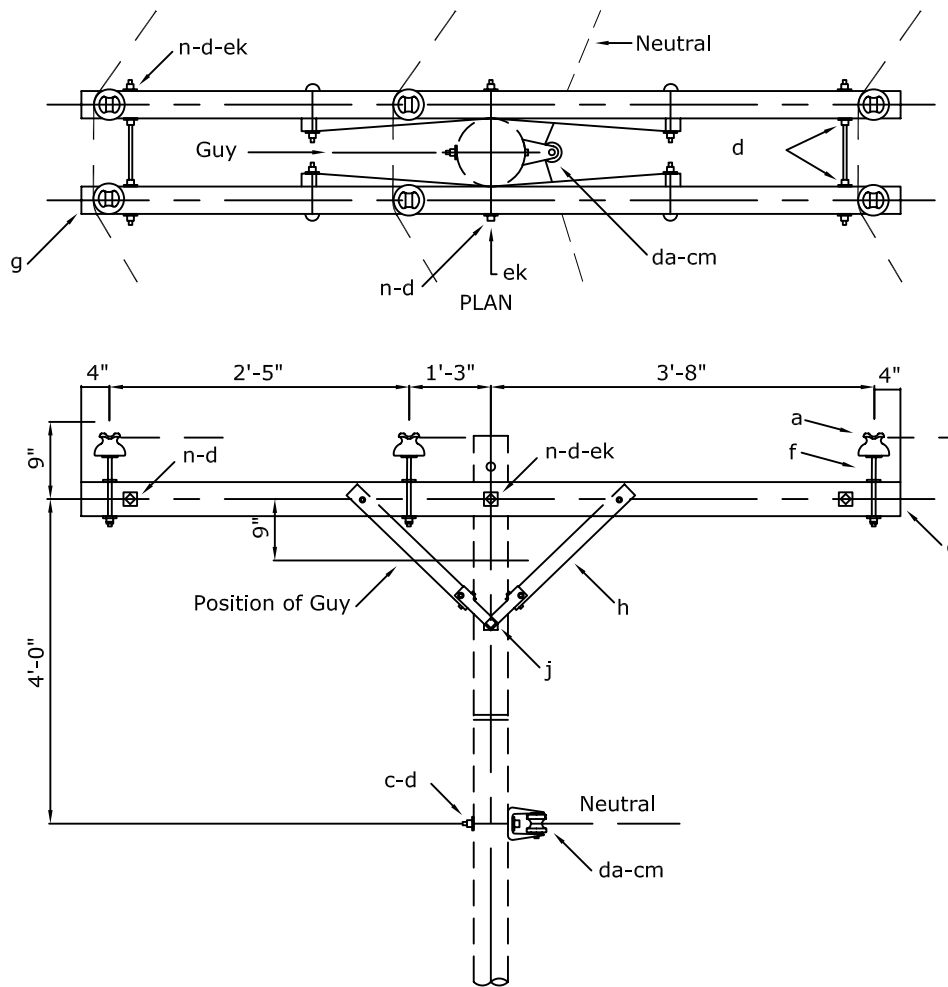
NOTES:

1- Maximum transverse load: 500 lbs. per conductor

MATERIAL LIST

Item	COA Commodity Code	Qty.	Description
a	2857402299	6	Insulator, Pin Type
b	2857402314	2	Pin, Pole Top, 20"
c	28574020XM	4	Bolt, Machine, 5/8" x Required Length
d	2857402322	13	Washer, 2 1/4" Square With 13/16" Hole
f	2857802046	4	Steel Crossarm Pin
g	2857802041	2	Crossarm, 3 3/4" x 4 3/4" x 8', Wood
h	2857802044	4	Brace, 28" (Wood or Steel)
i	2857402021	4	Carriage Bolt, 3/8" x 4 1/2"
j	2857402320	2	Lag Screw, 1/2" x 4"
ah	2801602124	35	Tie Wire, #4 Al (Feet)
cm	2857402304	1	Insulator, Spool
da	2857402307	1	Bracket, Rigid Clevis
ek	285740XXXX	19	Locknut, 5/8"

<p>City of Alexandria</p> <p>Electric Distribution</p>	<p>12.5/7.2KV CROSSARM SMALL ANGLE STRUCTURE DOUBLE LINE ARM</p>	DATE: 04-11-07
		<p>STANDARD NUMBER</p> <p>C2</p>

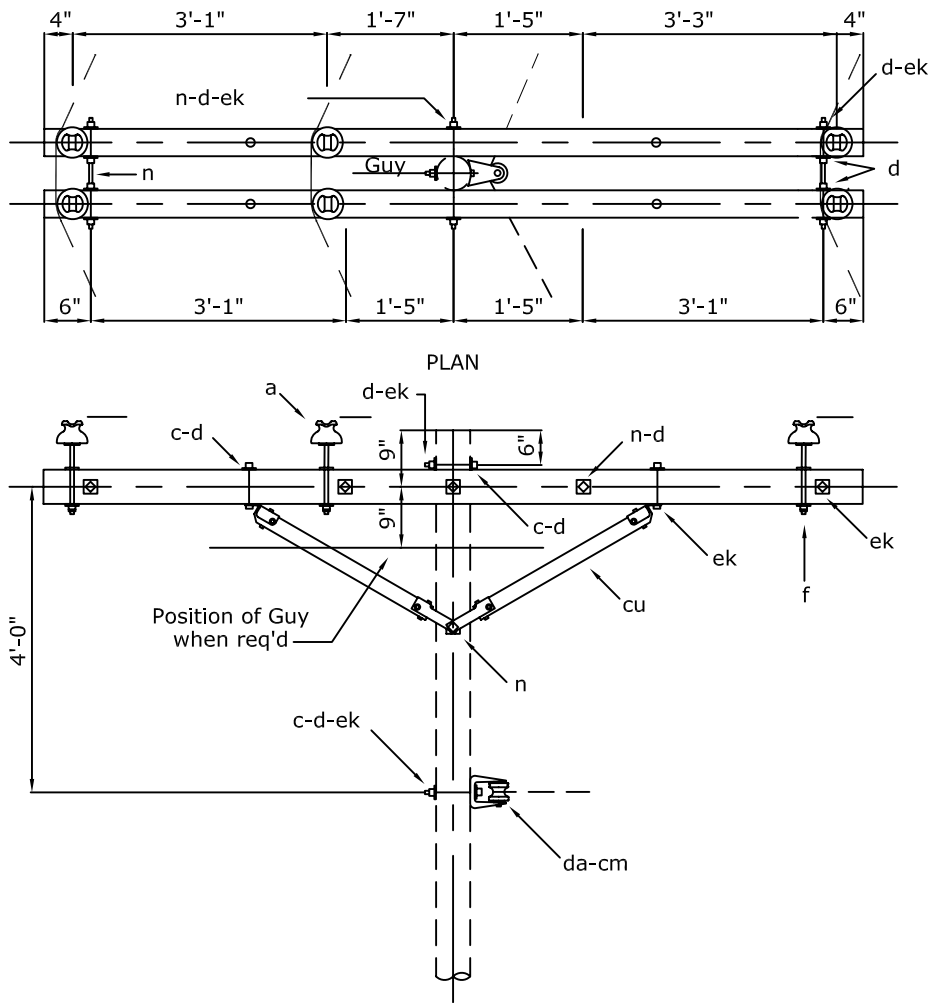


- NOTES:
- 1- Center phase wire or neutral wire may be located on the opposite side of the pole where necessary to avoid crossing of wires in midspan.
  - 2- Maximum traverse load: 1,000 lbs. per conductor.
  - 2- Maximum line angle within load limits: 20°

**MATERIAL LIST**

Item	COA Commodity Code	Qty.	Description
a	2857402299	6	Insulator, Pin Type
c	28574020XM	1	Bolt, Machine, 5/8" x Required Length
d	2857402322	11	Washer, 2 1/4" Square With 13/16" Hole
f	2857802046	6	Steel Crossarm Pin
g	2857802041	2	Crossarm, 3 3/4" x 4 3/4" x 8', Wood
h	2857802044	4	Brace, 28" (Wood or Steel)
i	2857402021	4	Carriage Bolt, 3/8" x 4 1/2"
j	2857402320	2	Lag Screw, 1/2" x 4"
n	28574020XD	3	Bolt, Double Arming, 5/8" x Required Length
ah	2801602124	35	Tie Wire, #4 Al (Feet)
cm	2857402304	1	Insulator, Spool
da	2857402307	1	Bracket, Rigid Clevis
ek	285740XXXX	17	Locknut, 5/8"

<p><i>City of Alexandria</i></p> <p><i>Electric Distribution</i></p>	<p>12.5/7.2kV CROSSARM SMALL ANGLE STRUCTURE DOUBLE LINE ARM</p>	<p>DATE: 04-11-07</p>
		<p>STANDARD NUMBER</p> <p><b>C2A</b></p>



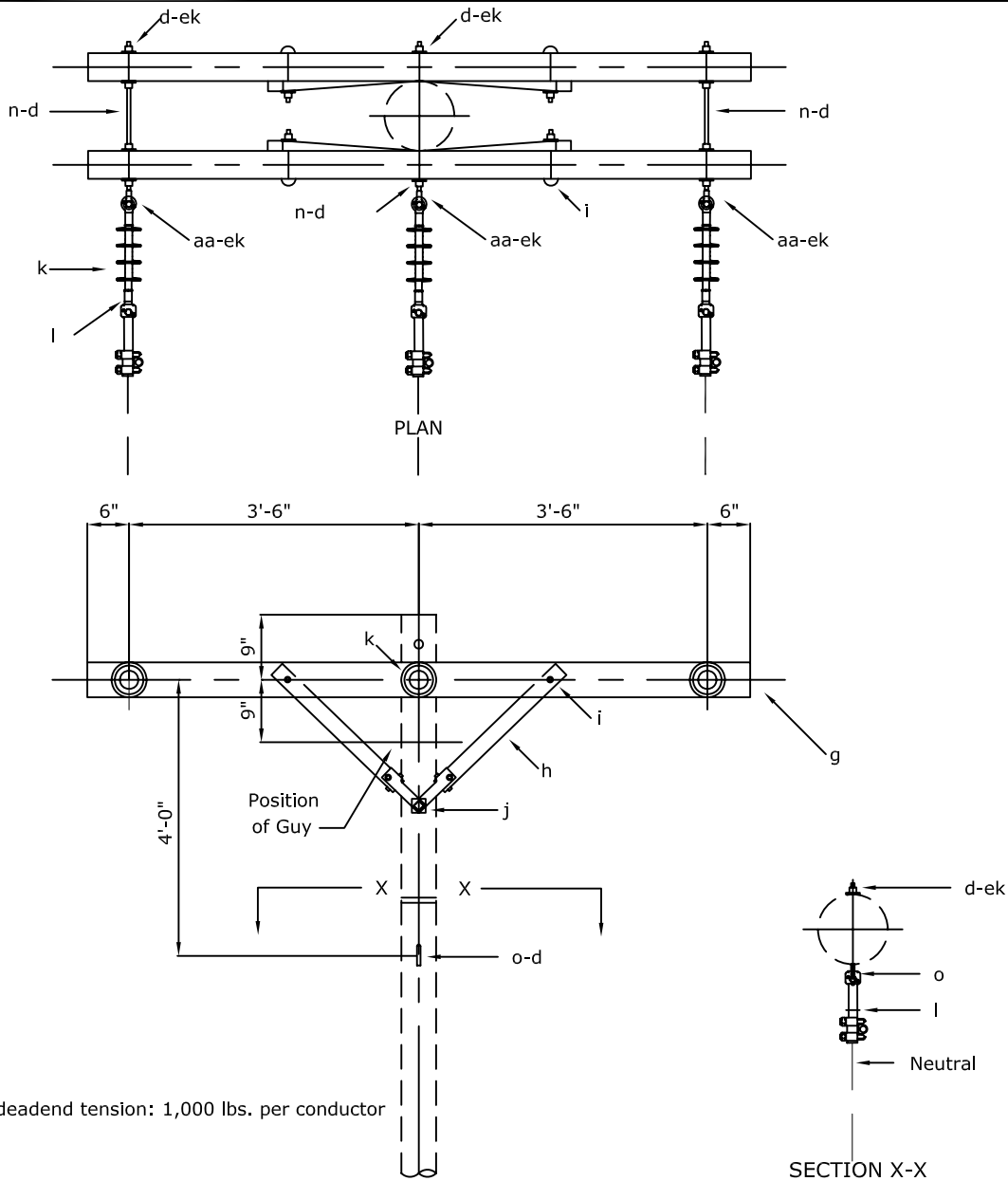
**NOTES:**

- 1- Side groove of insulator must always be larger than the overall diameter of conductor.
- 2- Center phase wire or neutral wire may be located on the opposite side of the pole where necessary to avoid crossing of wires in midspan.
- 3- Install on poles with conductor larger than 1/0 (ACSR or Str. Cu.).
- 4- If transverse load exceeds 1,000 lbs per pin, use vertical construction.

**MATERIAL LIST**

Item	COA Commodity Code	Qty.	Description
a	2857402299	6	Insulator, Pin Type
c	2857402008	4	Bolt, Machine, 1/2" x Required Length
c	28574020XM	2	Bolt, Machine, 5/8" x Required Length
d	2857402321	4	Washer, 1 3/8" Round With 9/16" Hole
d	2857402322	7	Washer, 2 1/4" Square With 13/16" Hole
f	2857802046	6	Steel Crossarm Pin
g	2857802042	2	Crossarm, 3 3/4" x 4 3/4" x 10', Wood
n	28574020XD	3	Bolt, Double Arming, 5/8" x Required Length
ah	2801602124	35	Tie Wire, #4 Al (Feet)
cm	2857402304	1	Insulator, Spool
cu	2857802043	2	Brace, 60" Span (Wood)
da	2857402307	1	Bracket, Rigid Clevis
ek	285740XXXX	19	Locknut, 5/8"

<p><i>City of Alexandria</i></p> <p><i>Electric Distribution</i></p>	<p>12.5/7.2kV CROSSARM SMALL ANGLE STRUCTURE DOUBLE LINE ARM - LARGE CONDUCTORS</p>	<p>DATE: 04-11-07</p>
		<p>STANDARD NUMBER</p> <p><b>C2AL</b></p>



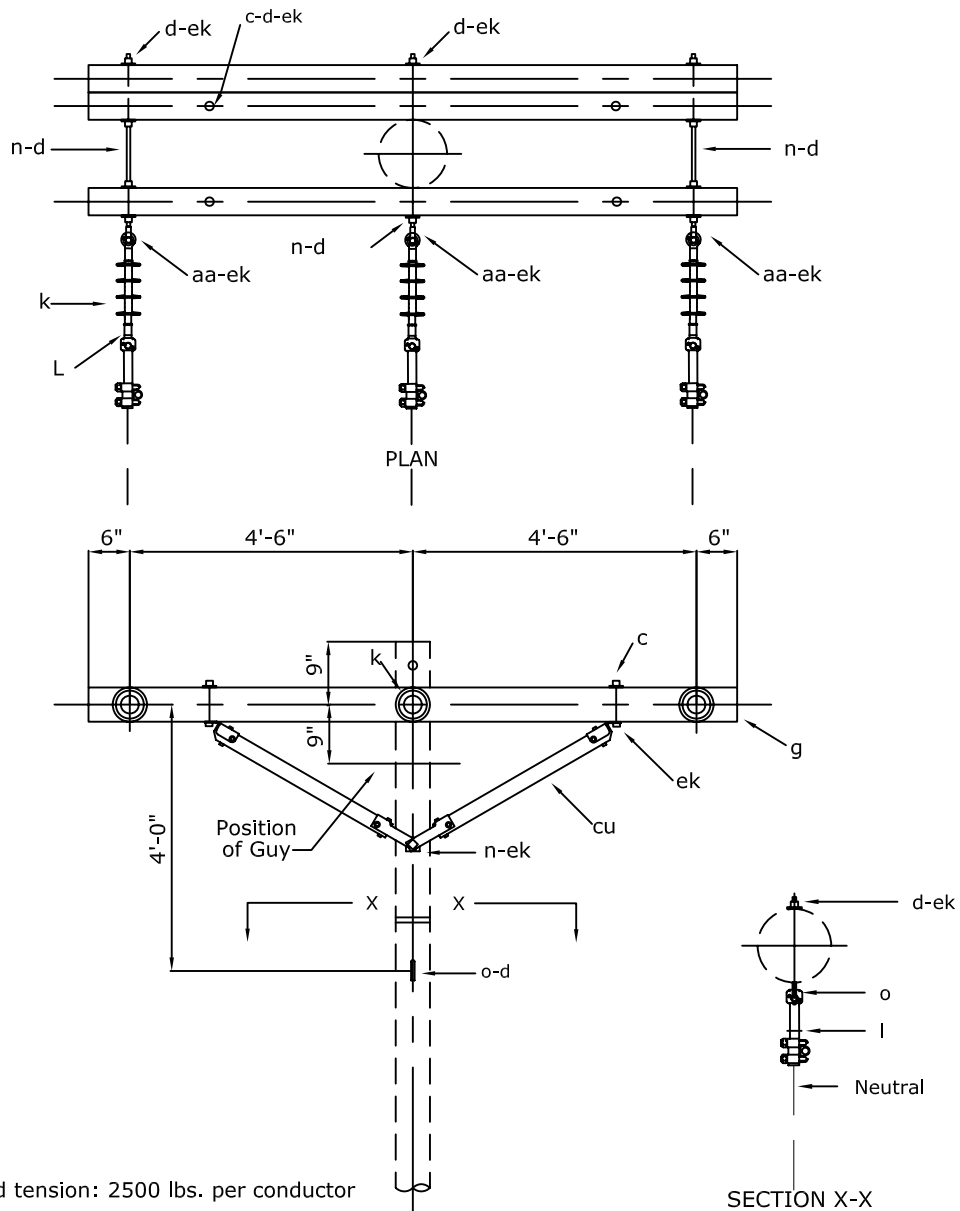
**NOTES:**

1- Maximum deadend tension: 1,000 lbs. per conductor

**MATERIAL LIST**

Item	COA Commodity Code	Qty.	Description
d	2857402322	11	Washer, 2 1/4" Square With 13/16" Hole
g	2857802041	2	Crossarm, 3 3/4" x 4 3/4" x 8', Wood
h	2857802044	4	Brace, 28" (Wood or Steel)
i	2857402021	4	Carriage Bolt, 3/8" x 4 1/2"
j	2857402320	2	Lag Screw, 1/2" x 4"
k	2857402300	3	Insulator, Suspension, Polymer
l	2857402140	4	Clamp, Deadend
n	28574020XD	3	Bolt, Double Arming, 5/8" x Required Length
o	28574020XE	1	Bolt, Oval Eye, 5/8" x Required Length
aa	2857402310	3	Nut, Oval Eye, 5/8"
ek	285740XXXX	11	Locknut, 5/8"

<p><i>City of Alexandria</i></p> <p><i>Electric Distribution</i></p>	<p>12.5/7.2kV CROSSARM SINGLE DEADEND SMALL CONDUCTORS</p>	DATE: 04-11-07
		<p>STANDARD NUMBER</p> <p><b>C7</b></p>

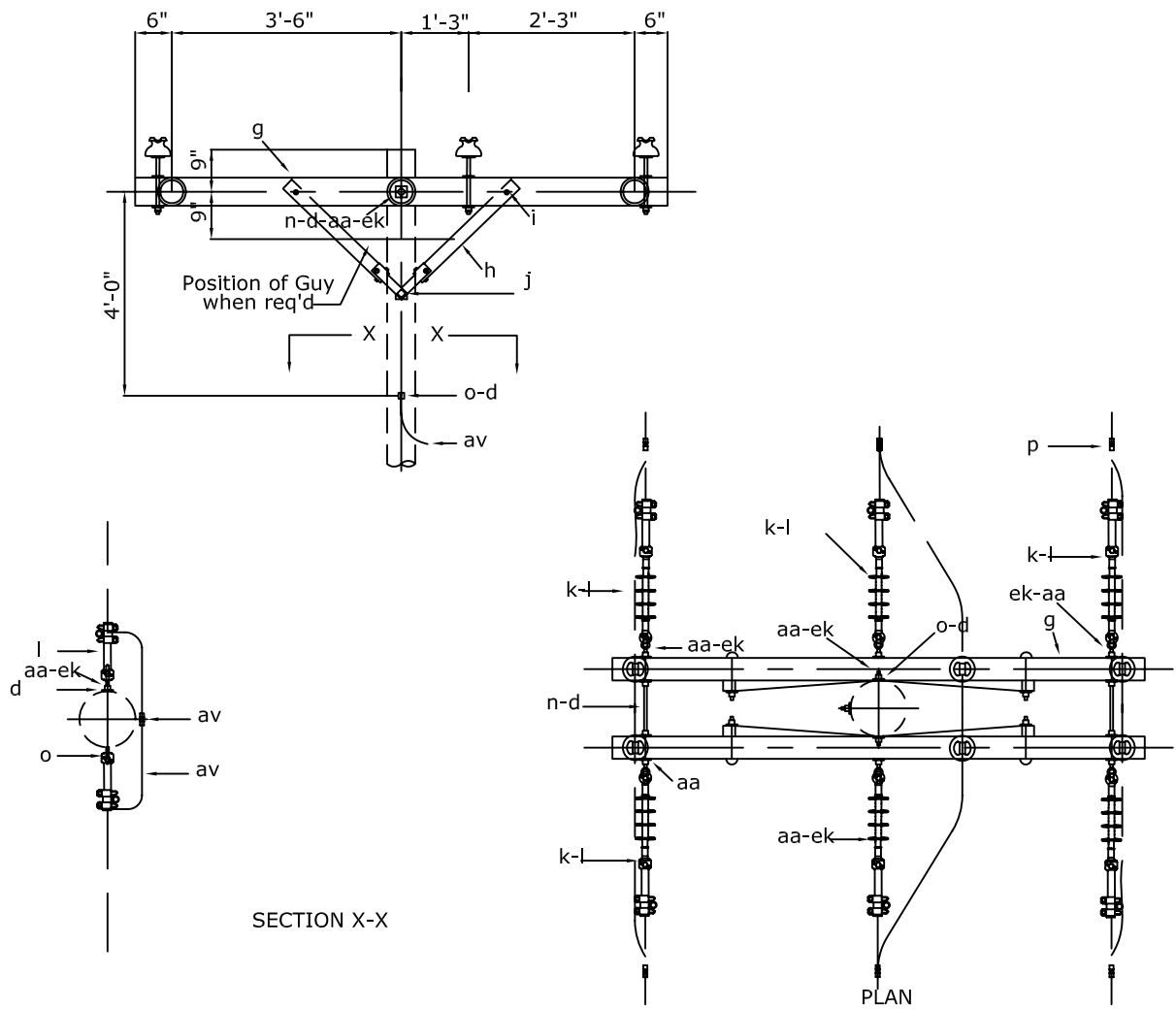


- NOTES:
- 1- Maximum deadend tension: 2500 lbs. per conductor
  - 2- Install on poles with conductor larger than 1/0 (ACSR or Str. Cu.).

**MATERIAL LIST**

Item	COA Commodity Code	Qty.	Description
c	2857402008	4	Bolt, Machine, 1/2" x Required Length
d	2857402321	4	Washer, 1 3/8" Round With 9/16" Hole
d	2857402322	11	Washer, 2 1/4" Square With 13/16" Hole
g	2857802042	3	Crossarm, 3 3/4" x 4 3/4" x 10', Wood
k	2857402300	3	Insulator, Suspension, Polymer
l	2857402142	4	Clamp, Deadend, Large
n	28574020XD	4	Bolt, Double Arming, 5/8" x Required Length
o	28574020XE	1	Bolt, Oval Eye, 5/8" x Required Length
aa	2857402310	3	Nut, Oval Eye, 5/8"
cu	2857802043	2	Brace, 60" Span (Wood)
ek	285740XXXX	12	Locknut, 5/8"

<p><i>City of Alexandria</i></p> <p><i>Electric Distribution</i></p>	<p>12.5/7.2kV CROSSARM SINGLE DEADEND LARGE CONDUCTORS</p>	<p>DATE: 04-11-07</p>
		<p>STANDARD NUMBER</p> <p><b>C7L</b></p>



NOTES:

1- Maximum unbalance tension not to exceed 1000 lbs per conductor.

MATERIAL LIST

Item	COA Commodity Code	Qty.	Description
a	2857402299	6	Insulator, Pin Type
d	2857402322	16	Washer, 2 1/4" Square With 13/16" Hole
f	2857802046	6	Steel Crossarm Pin
g	2857802041	2	Crossarm, 3 3/4" x 4 3/4" x 8', Wood
h	2857802044	4	Brace, 28" (Wood or Steel)
i	2857402021	4	Carriage Bolt, 3/8" x 4 1/2"
j	2857402320	2	Lag Screw, 1/2" x 4"
k	2857402300	6	Insulator, Suspension, Polymer
l	2857402140	8	Clamp, Deadend
n	28574020XD	6	Bolt, Double Arming, 5/8" x Required Length
p	28574022XX	8	Connector, Sized As Required
aa	2857402310	6	Nut, Oval Eye, 5/8"
ah	2801602124	30	Tie Wire, #4 Al (Feet)
av	NA	4	Jumper, Sized As Required
ek	285740XXXX	18	Locknut, 5/8"

<p>City of Alexandria</p> <p>Electric Distribution</p>	<p>12.5/7.2kV CROSSARM DOUBLE DEADEND SMALL CONDUCTORS</p>	DATE: 04-11-07
		<p>STANDARD NUMBER</p> <p>C8</p>

**PRIMARY CONDUCTORS**

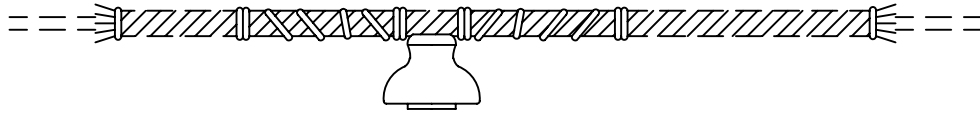
Unit #	Description	Codename	COA Commodity Code	Unit of Measure
D2ACSR	#2 ACSR	Sparrow	2801602113	Per Foot
D2TW	#2 ACSR 15kV Tree Cable	Beech	2801602114	Per Foot
D4/0ACSR	4/0 ACSR	Penguin	2801602111	Per Foot
D477AAC	477 MCM AAC	Cosmos	2801602110	Per Foot
D6CU	#6 Solid Copper	NA	Retirement Only	Per Foot
D4CU	#4 Solid Copper	NA	Retirement Only	Per Foot
D2CU	#2 Str. Copper	NA	Retirement Only	Per Foot
D1/0CU	1/0 Stranded Copper	NA	Retirement Only	Per Foot
D4/0CU	4/0 Stranded Copper	NA	Retirement Only	Per Foot

**SECONDARY CONDUCTORS**

Unit #	Description	Codename	COA Commodity Code	Unit of Measure
D336TPX	336 Triplex	Limpet	2808002099	Per Foot
D336QPX	336 Quadraplex	Bronco	2808002100	Per Foot
D4/0TPX	4/0 Triplex	Appaloosa	2808002101	Per Foot
D4/0QPX	4/0 Quadraplex	Zuzarra	2808002102	Per Foot
D1/0TPX	1/0 Triplex	Costena	2808002105	Per Foot
D1/0QPX	1/0 Quadraplex	Neretina	2808002106	Per Foot
D2TPX	#2 Triplex	Conch	2808002107	Per Foot
D2QPX	#2 Quadraplex	Palomino	2808002108	Per Foot
D6DPX	#6 Duplex	Shepherd	2808002109	Per Foot

<p align="center"><i>City of Alexandria</i></p> <p align="center"><i>Electric Distribution</i></p>	<p align="center">PRIMARY AND SECONDARY CONDUCTORS</p>	DATE: 04-17-07
		<p align="center">STANDARD NUMBER</p> <p align="center">D-GUIDE</p>

# LABOR ONLY UNIT

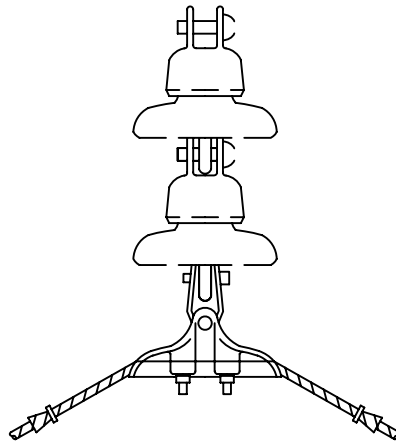
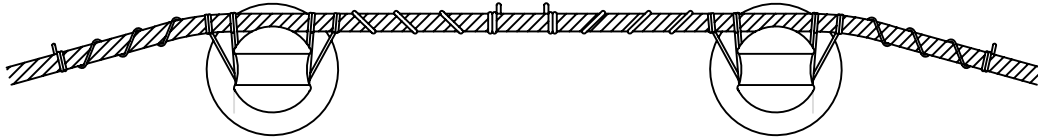


NOTE: Unit includes all cost of relocating existing conductor attachment.

<p><i>City of Alexandria</i> <i>Electric Distribution</i></p>	<p>RELOCATE OR SPREAD ENERGIZED CONDUCTOR TANGENT - 2.4 OR 7.2kV</p>	<p>DATE: 12-21-04</p> <p>STANDARD NUMBER</p> <p>D2.4TH D7.2TH</p>
-------------------------------------------------------------------	--------------------------------------------------------------------------	-----------------------------------------------------------------------



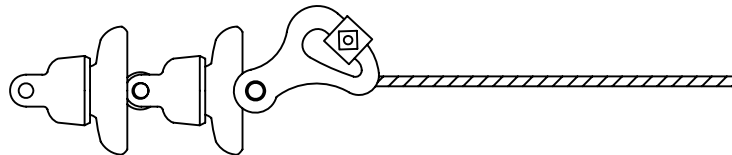
# LABOR ONLY UNIT



NOTE: Unit includes all cost of relocating existing conductor attachment.

<p>City of Alexandria</p> <p>Electric Distribution</p>	<p>RELOCATE OR SPREAD ENERGIZED CONDUCTOR LIGHT OR MEDIUM ANGLE - 2.4 OR 7.2kV</p>	<p>DATE: 12-21-04</p> <p>STANDARD NUMBER</p> <p>D2.4AH D7.2AH</p>
------------------------------------------------------------	----------------------------------------------------------------------------------------	---------------------------------------------------------------------------

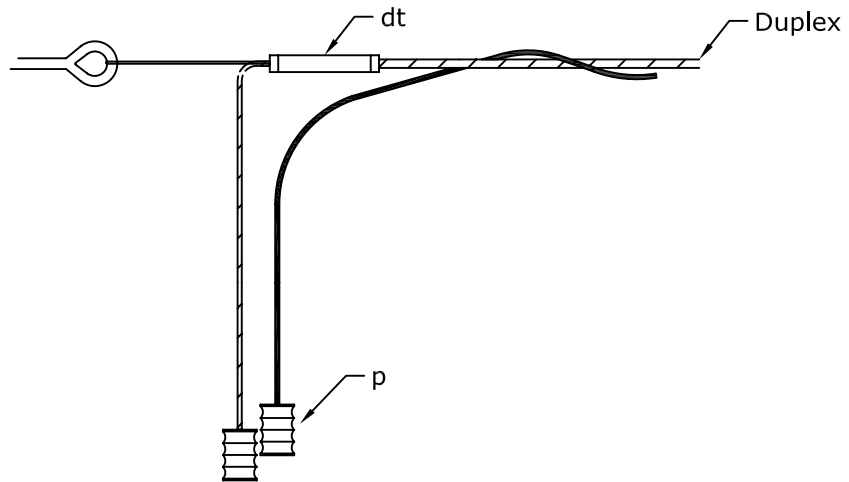
# LABOR ONLY UNIT



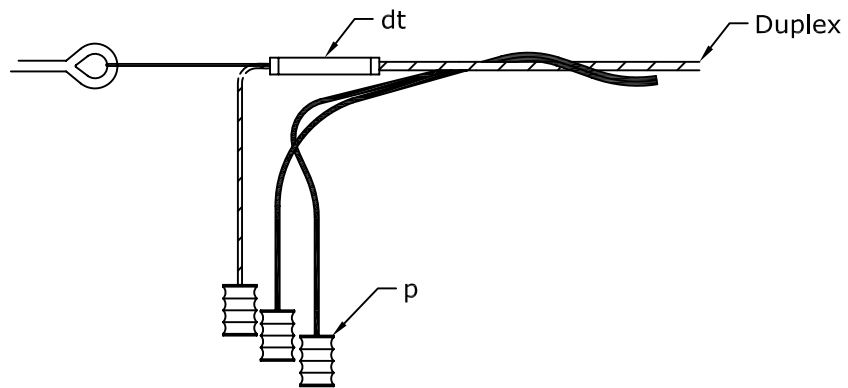
NOTE: Unit includes all cost of relocating existing conductor attachment. Does not include extending existing jumpers or installing temporary jumpers. Specify necessary jumper relocations with DRJMPR unit.

<p><i>City of Alexandria</i> <i>Electric Distribution</i></p>	<p>RELOCATE OR SPREAD ENERGIZED CONDUCTOR DEADEND - 2.4 OR 7.2kV</p>	<p>DATE: 12-21-04</p> <p>STANDARD NUMBER</p> <p>D2.4DH D7.2DH</p>
-------------------------------------------------------------------	--------------------------------------------------------------------------	-----------------------------------------------------------------------

# LABOR ONLY UNIT



# LABOR ONLY UNIT

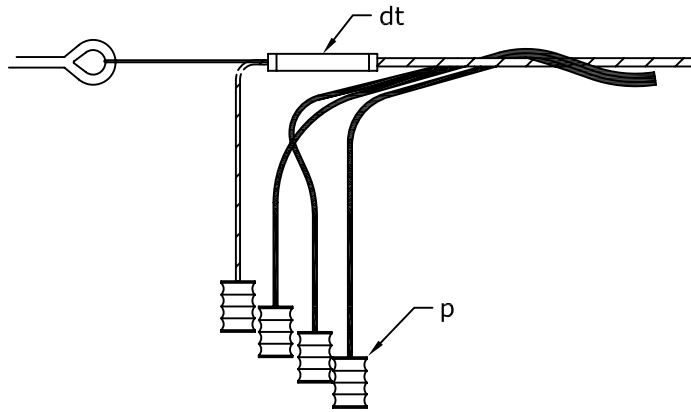


City of  
Alexandria  
  
Electric Distribution

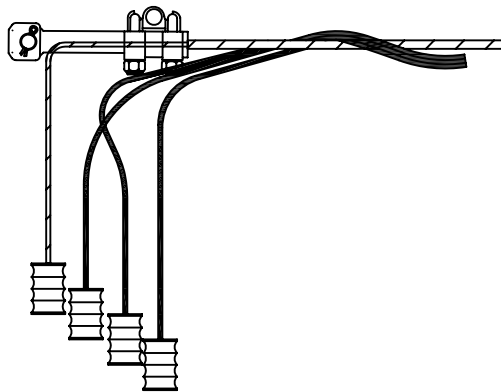
RELOCATE EXISTING DUPLEX OR TRIPLEX SERVICE

DATE: 12-21-04  
STANDARD  
NUMBER  
DRS8H

# LABOR ONLY UNIT



# LABOR ONLY UNIT



City of  
Alexandria

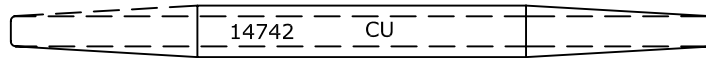
Electric Distribution

RELOCATE EXISTING QUADRAPLEX SERVICE

DATE: 12-21-04

STANDARD  
NUMBER

DRS9H

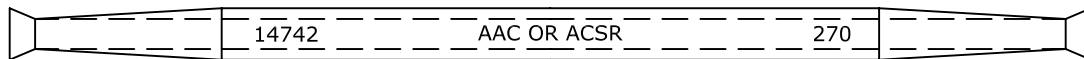


**COPPER AUTOMATIC SLEEVE**

NOTE: Install sleeves a minimum 8' from any crossarm or deadend assembly.

**MATERIAL LIST**

COA Commodity Code	Description	DSPA8CU	DSPA6CU	DSPA4CU	DSPA2CU	DSPA2ST	DSPA40CU
2857402187	Splice, Automatic, #8 Copper, Solid	1					
2857402188	Splice, Automatic, #6 Copper, Solid		1				
2857402189	Splice, Automatic, #4 Copper, Solid			1			
2857402190	Splice, Automatic, #2 Copper, Solid				1		
2857402191	Splice, Automatic, #2 Copper, Stranded					1	
2857402196	Splice, Automatic, 4/0 Copper, Stranded						1



**AAC OR ACSR AUTOMATIC SLEEVE**



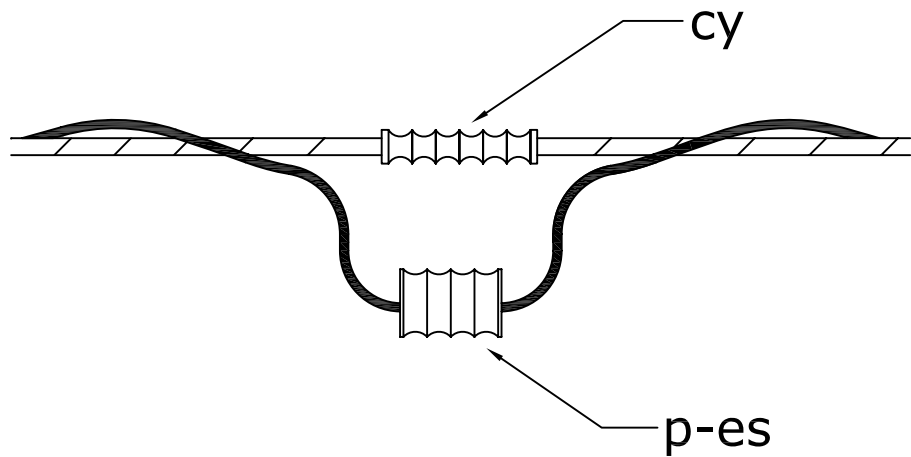
**AAC OR ACSR READY FOR SPLICING**

NOTE: Install sleeves a minimum 8' from any crossarm or deadend assembly.

**MATERIAL LIST**

COA Commodity Code	Description	DSPA2ACSR	DSPA40ACSR	DSPA477AAC
2857402198	Splice, Automatic, #2 ACSR	1		
2857402199	Splice, Automatic, 4/0 ACSR		1	
2857402208	Splice, Automatic, 477 AAC			1

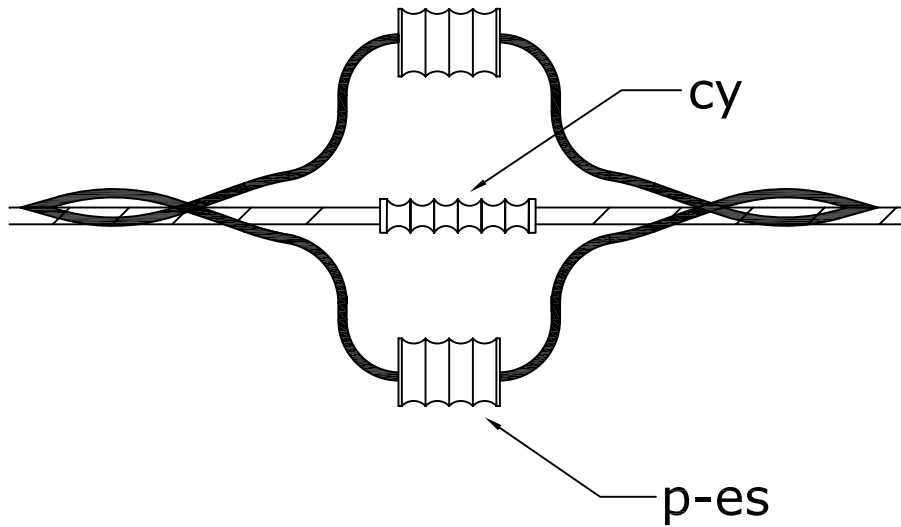
<p><i>City of Alexandria</i></p> <p><i>Electric Distribution</i></p>	<p><b>AUTOMATIC SPLICE FULL TENSION SPANS ONLY</b></p>	DATE: 04-17-07
		<p>STANDARD NUMBER</p> <p><b>DSPA</b></p>



DSPD - MATERIAL LIST

Item	COA Commodity Code	Qty.	Description
p	2857402237	1	Connector, Compression, YH0-100
cy	2857402513	1	Splice, Compression, Secondary, #6 ACSR
es	2857402511	1	Splice Cover, Small

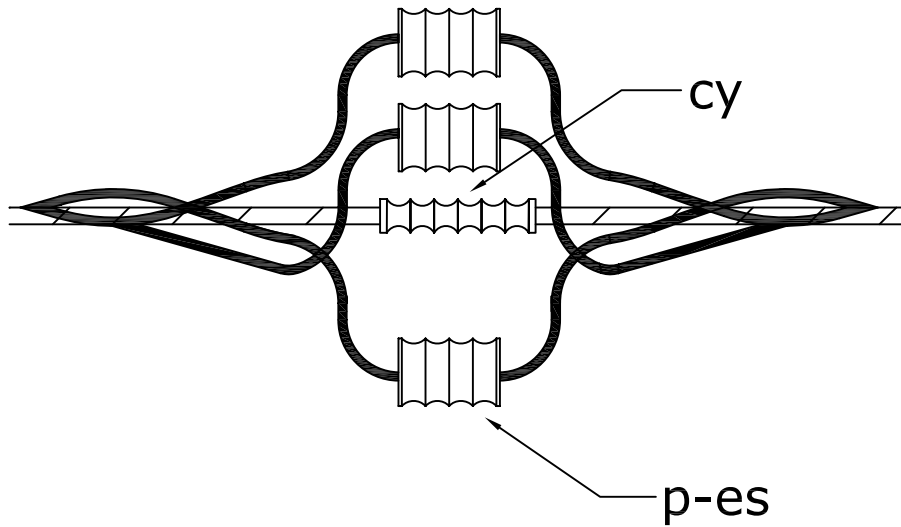
<p><i>City of Alexandria</i></p> <p><i>Electric Distribution</i></p>	<p>SPLICE AND RELOCATE DUPLEX SERVICE</p>	DATE: 04-18-07
		<p>STANDARD NUMBER</p> <p>DSPD</p>



MATERIAL LIST

Item	COA Commodity Code	Description	DSPT2	DSPT10	DSPT40	DSPT336
p	2857402237	Connector, Compression, YH0-150	2			
p	2857402234	Connector, Compression, YHD-300		2		
p	2857402232	Connector, Compression, YHD-400			2	
p	2857402231	Connector, Compression, YHN-450				2
cy	2857402514	Splice, Compression, Secondary, #2 ACSR	1			
cy	2857402515	Splice, Compression, Secondary, 1/0 ACSR		1		
cy	2857402516	Splice, Compression, Secondary, 4/0 ACSR			1	
cy	2857402517	Splice, Compression, Secondary, 336 ACSR				1
es	2857402511	Splice Cover, Small	2			
es	2857402327	Splice Cover, Medium		2	2	
es	2857402512	Splice Cover, Large				2

<p>City of Alexandria</p> <p>Electric Distribution</p>	<p>SPLICE AND RELOCATE TRIPLEX SERVICE</p>	DATE: 04-18-07
		<p>STANDARD NUMBER</p> <p>DSPT</p>



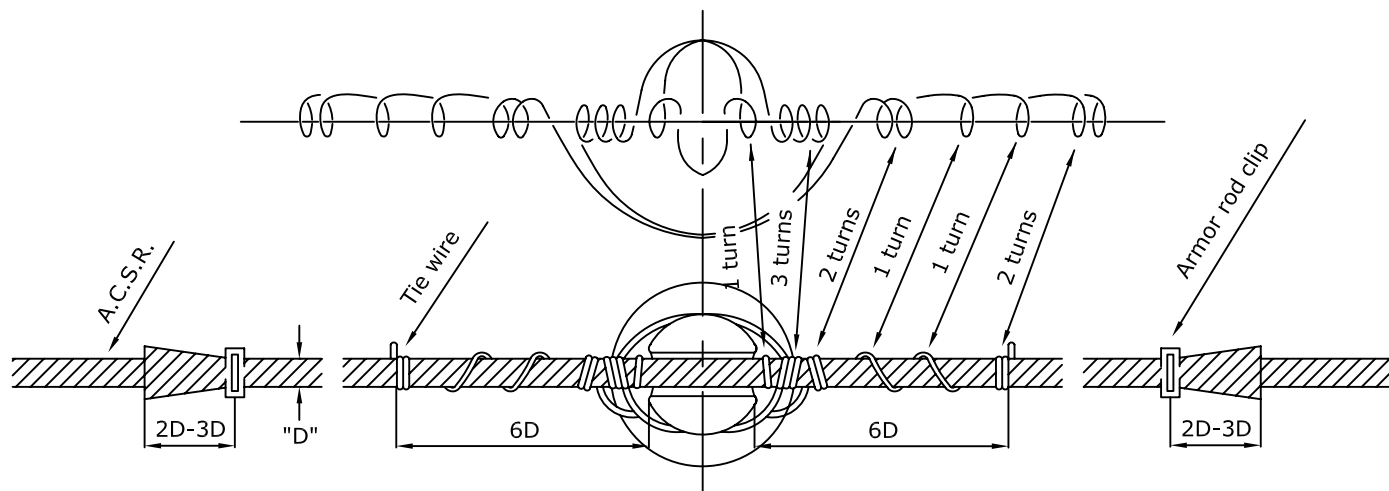
MATERIAL LIST

Item	COA Commodity Code	Description	DSPQ2	DSPQ10	DSPQ40	DSPQ336
p	2857402237	Connector, Compression, YH0-150	3			
p	2857402234	Connector, Compression, YHD-300		3		
p	2857402232	Connector, Compression, YHD-400			3	
p	2857402231	Connector, Compression, YHN-450				3
cy	2857402514	Splice, Compression, Secondary, #2 ACSR	1			
cy	2857402515	Splice, Compression, Secondary, 1/0 ACSR		1		
cy	2857402516	Splice, Compression, Secondary, 4/0 ACSR			1	
cy	2857402517	Splice, Compression, Secondary, 336 ACSR				1
es	2857402511	Splice Cover, Small	3			
es	2857402327	Splice Cover, Medium		3	3	
es	2857402512	Splice Cover, Large				3

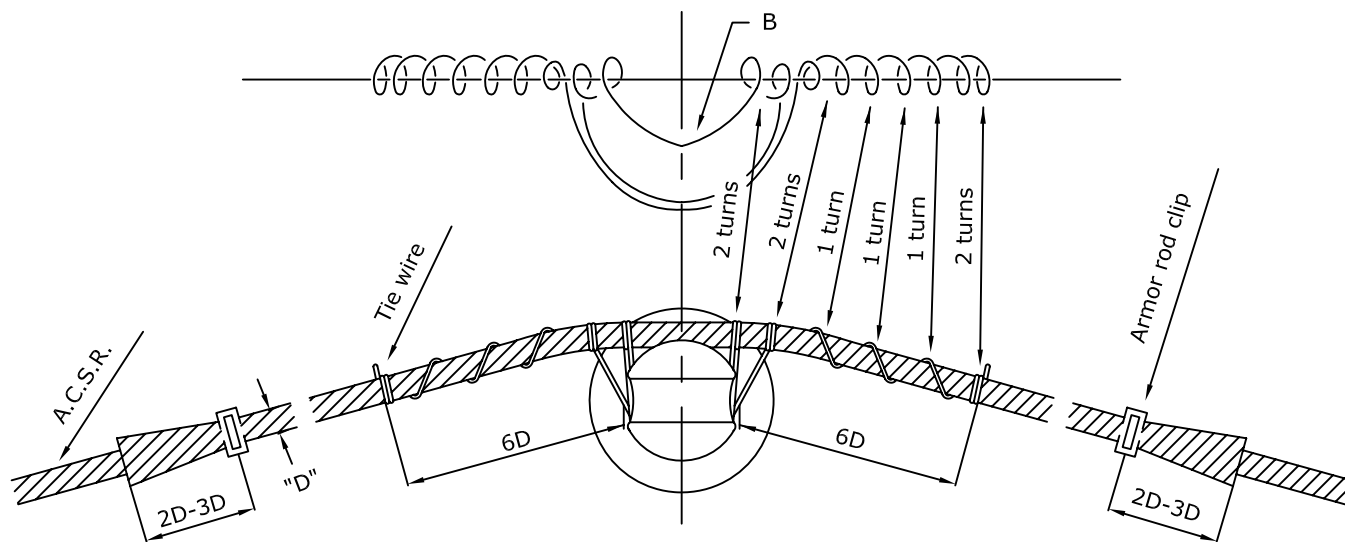
<p>City of Alexandria</p> <p>Electric Distribution</p>	<p>SPLICE AND RELOCATE QUADRAPLEX SERVICE</p>	DATE: 04-18-07
		<p>STANDARD NUMBER</p> <p>DSPQ</p>



# FOR ILLUSTRATION PURPOSES ONLY



TOP GROOVE DOUBLE TIE



SIDE GROOVE TIE

NOTES:

- 1- In making ties, start with middle of length of tie wire at position marked "B".
- 2- To complete tie, cinch up last two turns at each end with pliers until tie wire is snug and tight.

City of  
Alexandria

Electric Distribution

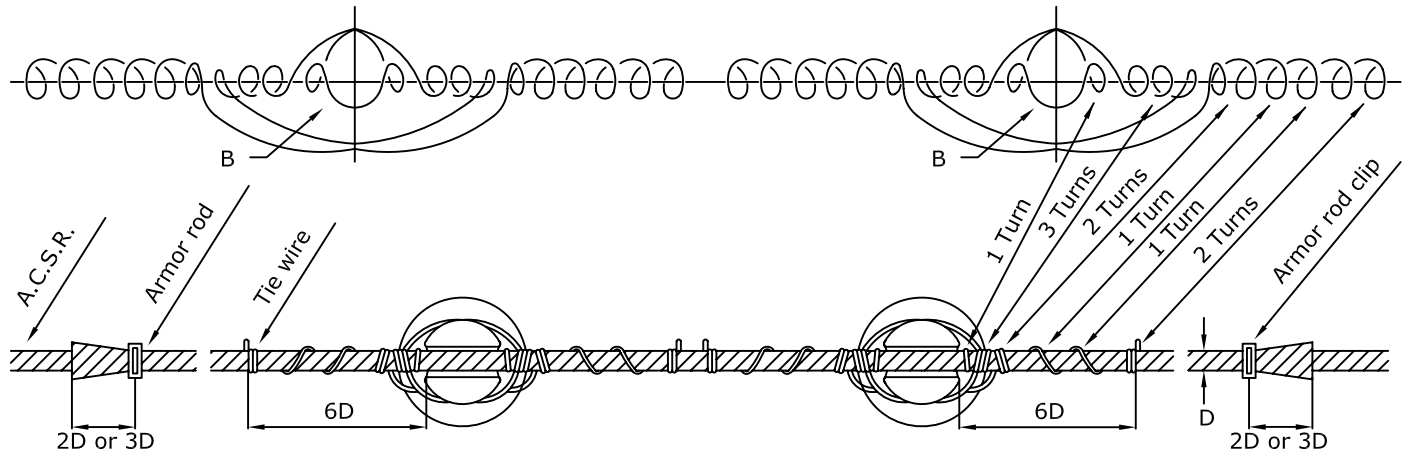
CONDUCTOR TYING GUIDE  
SINGLE INSULATOR

DATE: 04-17-07

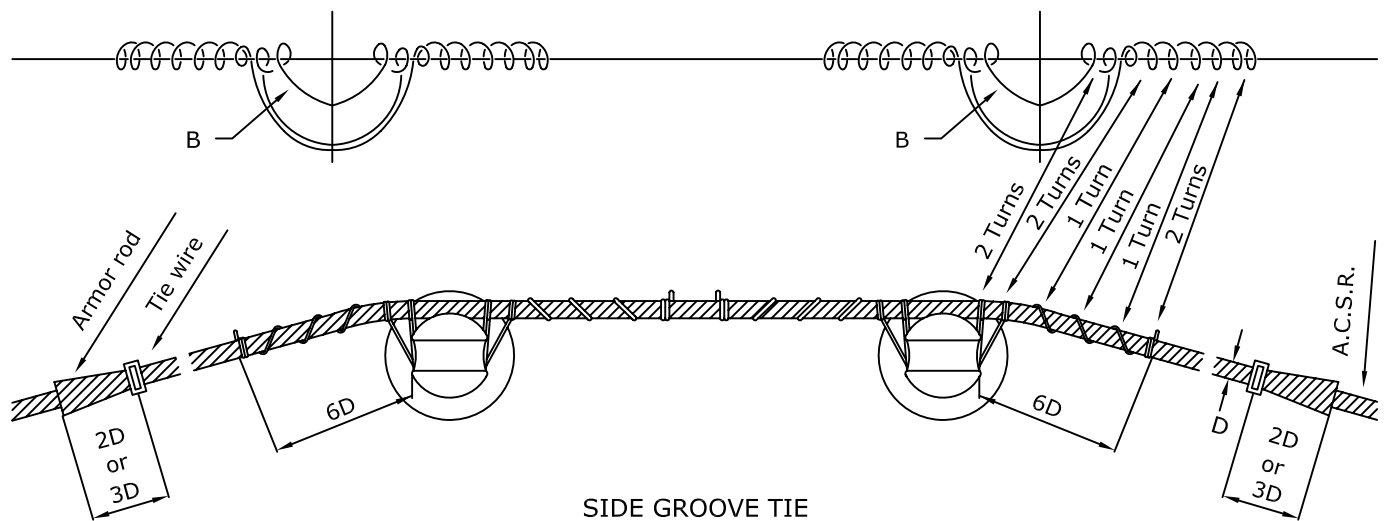
STANDARD  
NUMBER

DTIE-1

# FOR ILLUSTRATION PURPOSES ONLY



TOP GROOVE DOUBLE TIE

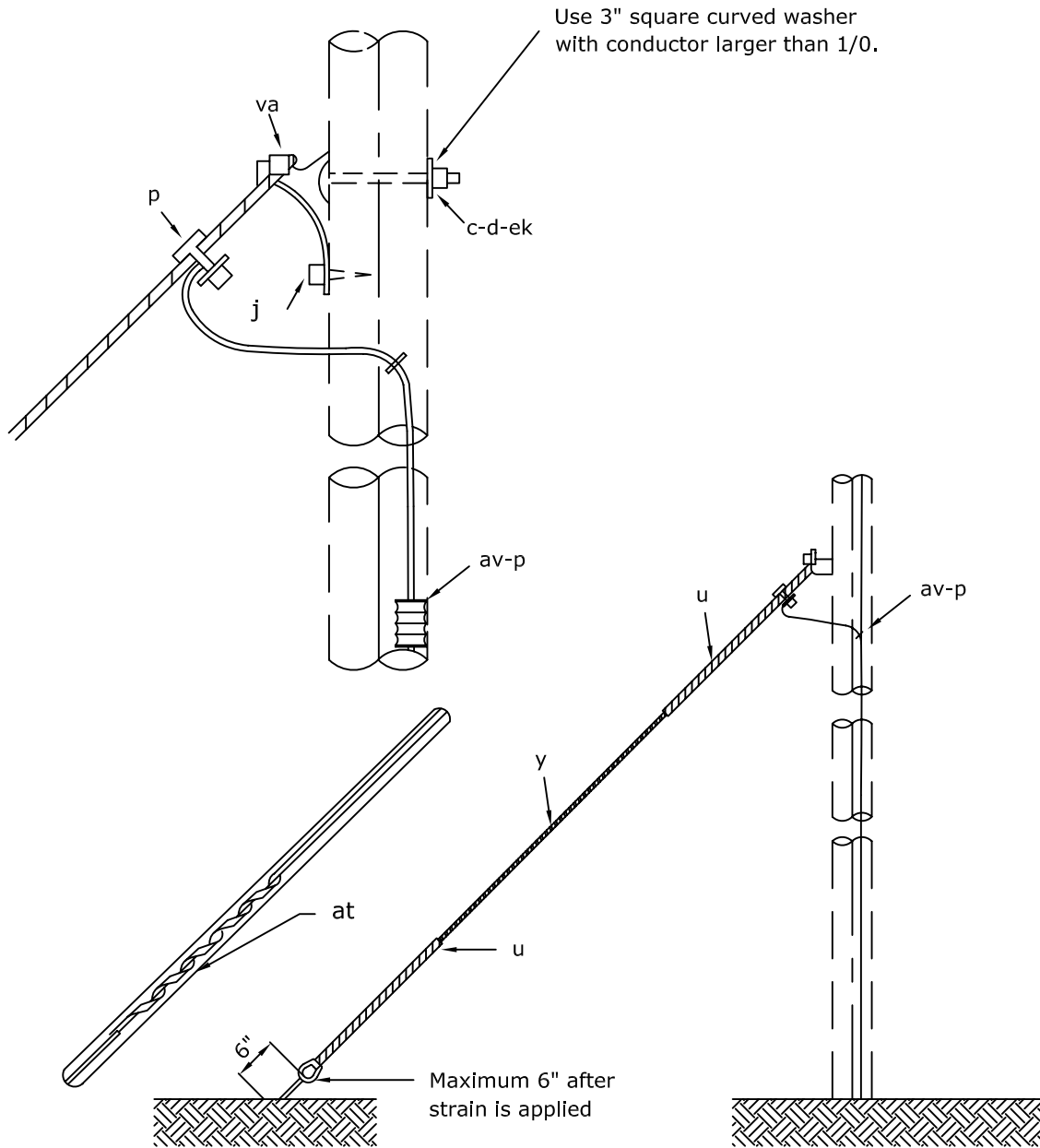


SIDE GROOVE TIE

**NOTES:**

- 1- In making ties, start with middle of length of tie wire at position marked "B".
- 2- To complete tie, cinch up last two turns at each end with pliers until tie wire is snug and tight.
- 3- Use the flat face of the pliers against the armor rods.

<p>City of Alexandria</p> <p>Electric Distribution</p>	<p>CONDUCTOR TYING GUIDE</p> <p>DOUBLE INSULATOR</p>	<p>DATE: 04-17-07</p>
		<p>STANDARD NUMBER</p> <p>DTIE-2</p>



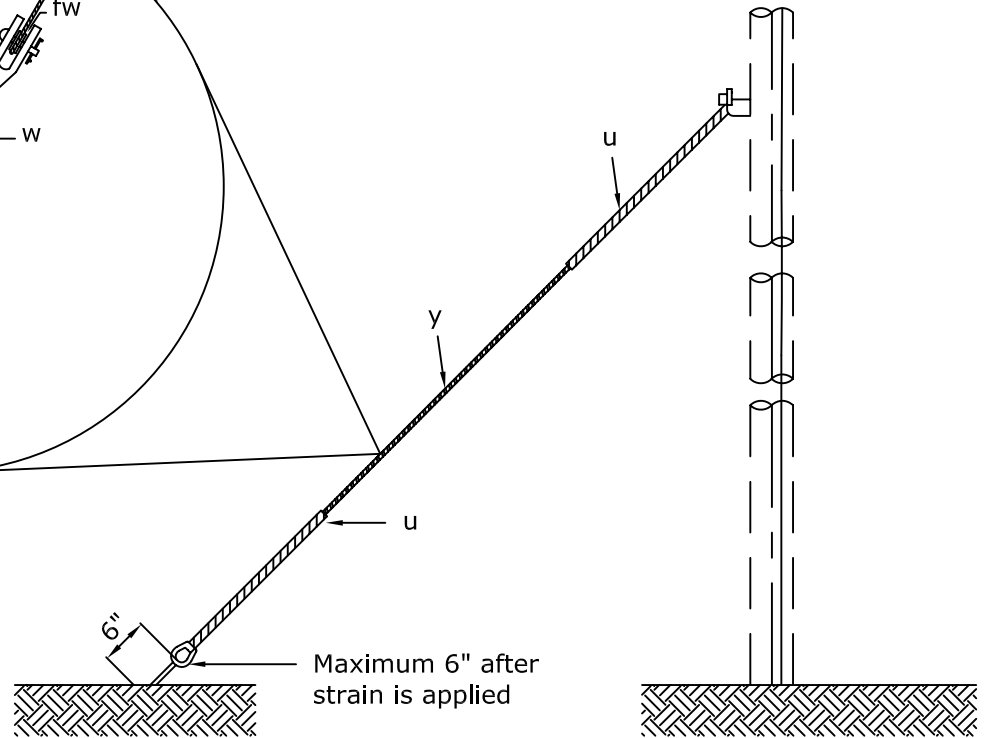
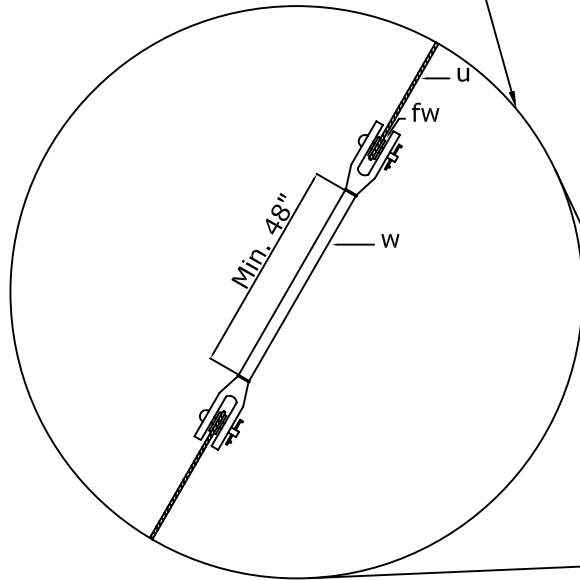
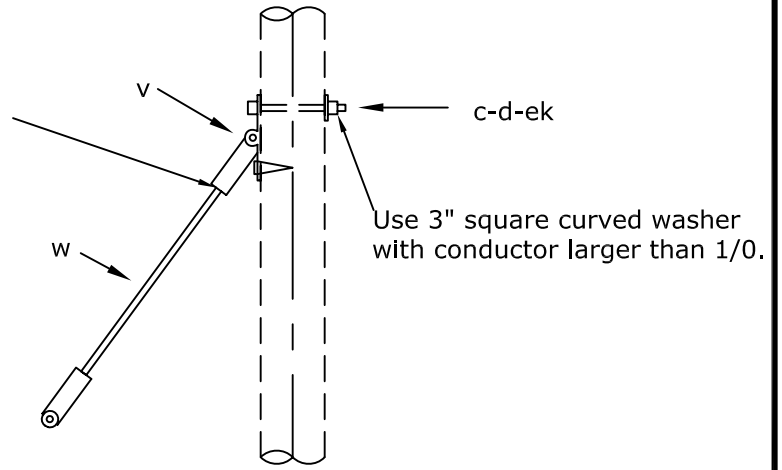
**MATERIAL LIST**

Item	COA Commodity Code	Qty.	Description
c	28574020XM	1	Bolt, Machine, 5/8" x Required Length
d	2857402322	1	Washer, 2 1/4" or 3" Square With 13/16" Hole
j	2857402320	1	Lag Screw, 1/2" x 4"
p	28574022XX	2	Connector, Compression, Sized as Required
u	2857402213	2	Deadend for Galvanized Steel Strand, 3/8"
y	2804002116	60	Galvanized Steel Strand, 3/8" EHS
at	2859902328	1	Guy Guard, 8', Yellow
av	NA	1	Jumper, #6 Cu
ek	285740XXXX	1	Locknut, 5/8"
va	2857402471	1	Guy Attachment

<p><i>City of Alexandria</i></p> <p><i>Electric Distribution</i></p>	<p>SINGLE DOWN GUY THROUGH BOLT TYPE</p>	DATE: 04-18-07
		<p>STANDARD NUMBER</p> <p><b>E1-2</b></p>

Attach Guy Strain Insulator to Guy Attachment only when all energized conductors are above the Guy Attachment.

For guys adjacent to energized conductors: position Guy Strain Insulator centered along energized conductor.



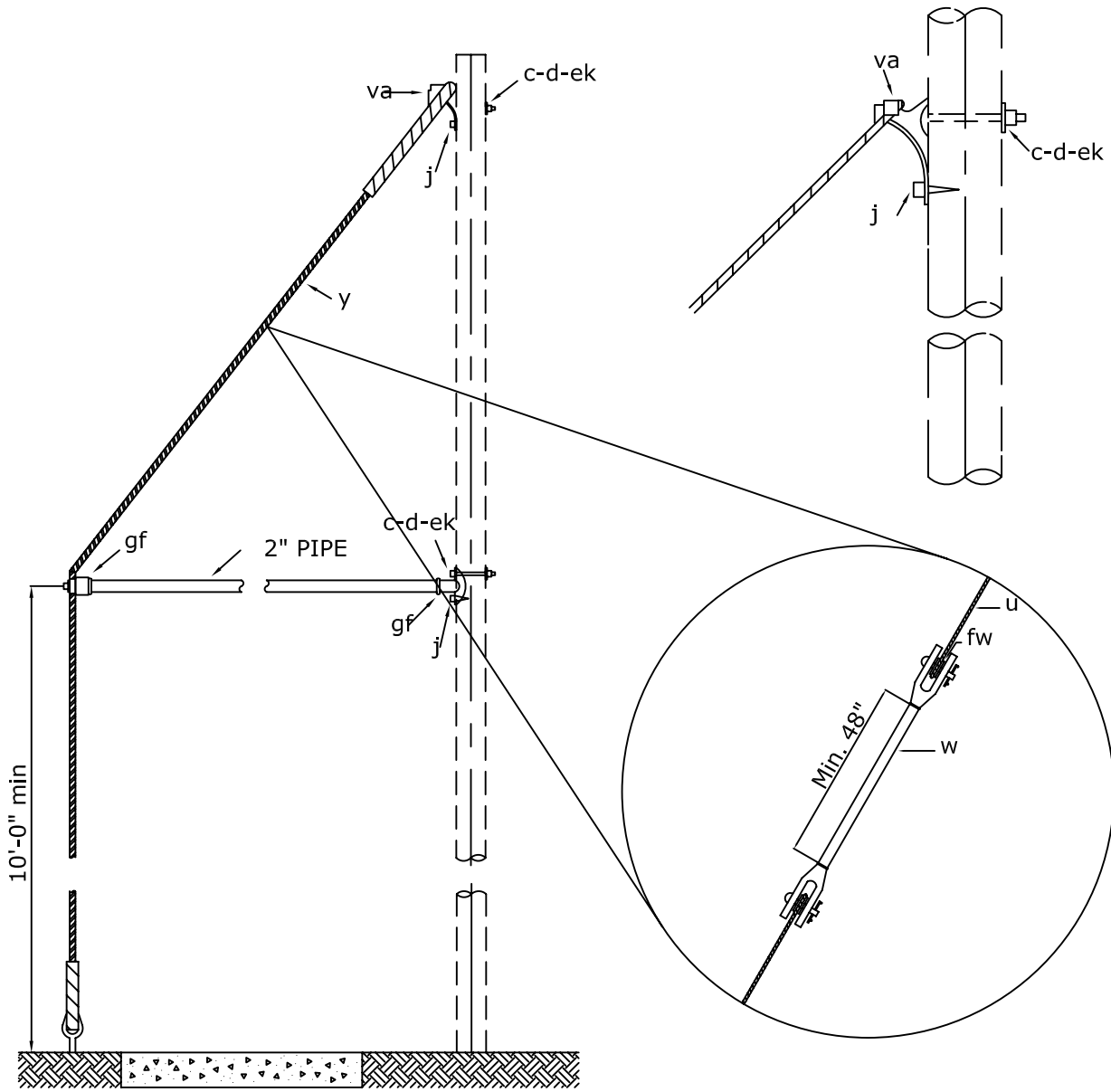
**MATERIAL LIST**

Item	COA Commodity Code	Qty.	Description
c	28574020XM	1	Bolt, Machine, 5/8" x Required Length
d	2857402322	1	Washer, 2 1/4" or 3" Square With 13/16" Hole
j	2857402320	1	Lag Screw, 1/2" x 4"
u	2857402213	4	Deadend for Galvanized Steel Strand, 3/8"
w	2857402492	1	Guy Strain Insulator, 54"
y	2804002116	60	Galvanized Steel Strand, 3/8" EHS
at	2859902328	1	Guy Guard, 8', Yellow
ek	285740XXXX	1	Locknut, 5/8"
va	2857402471	1	Guy Attachment (For Guy Strain Insulator, If Required)

City of  
Alexandria  
  
Electric Distribution

INSULATED SINGLE DOWN GUY  
THROUGH BOLT TYPE

DATE: 04-18-07  
STANDARD NUMBER  
E1-2S

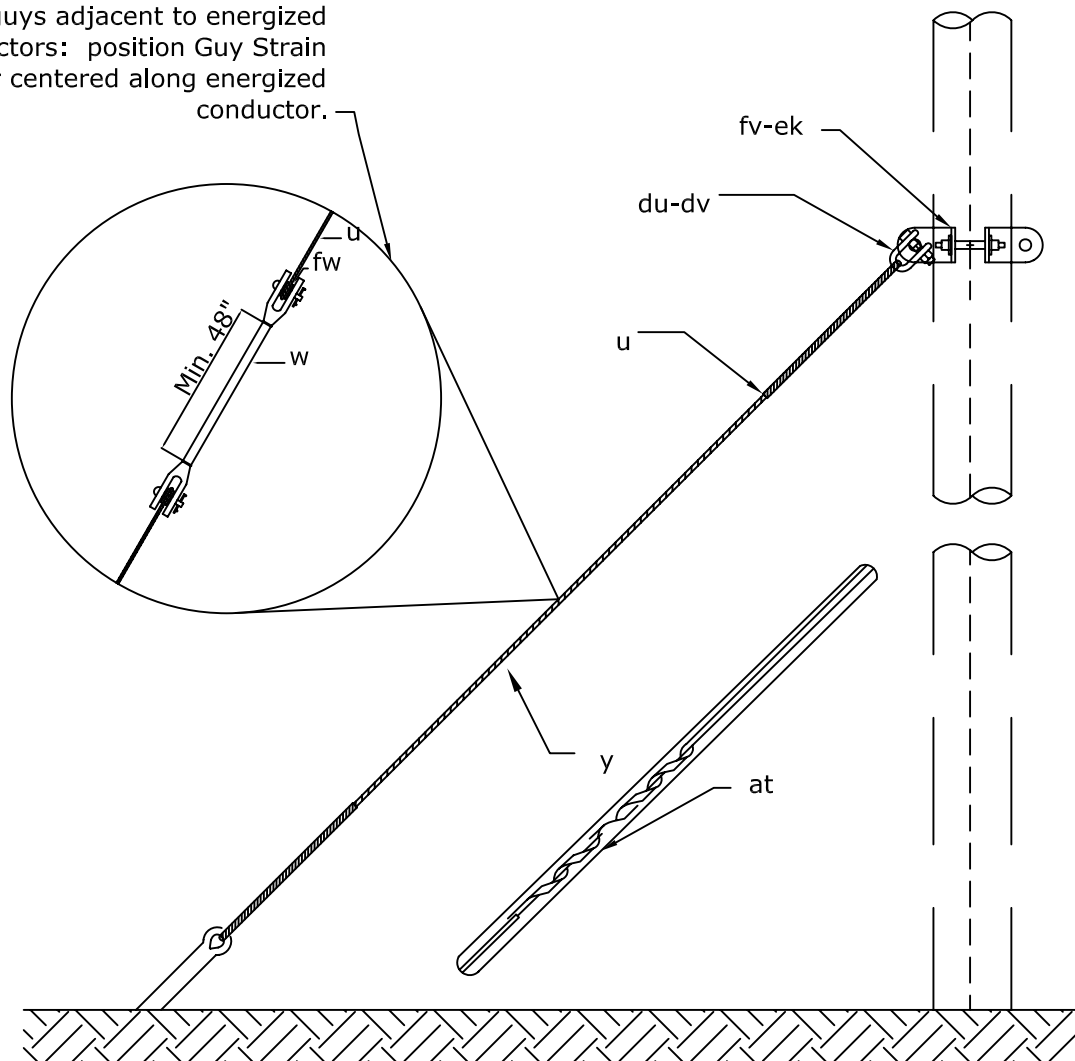


MATERIAL LIST

Item	COA Commodity Code	Qty.	Description
c	28574020XM	2	Bolt, Machine, 5/8" x Required Length
d	2857402322	1	Washer, 2 1/4" or 3" Square With 13/16" Hole
j	2857402320	2	Lag Screw, 1/2" x 4"
u	2857402213	4	Deadend for Galvanized Steel Strand, 3/8"
w	2857402492	1	Guy Strain Insulator, 54"
y	2804002116	60	Galvanized Steel Strand, 3/8" EHS
at	2859902328	1	Guy Guard, 8', Yellow
gf	2857802317	1	Plate, Pole
gf	2857802528	1	Clamp, End Fitting
-	2851902487	1	Strut Pipe Assembly, 2" Rigid Galvanized
ek	285740XXXX	2	Locknut, 5/8"
va	2857402471	1	Guy Attachment (For Guy Strain Insulator, If Required)

<p>City of Alexandria</p> <p>Electric Distribution</p>	<p>INSULATED SIDEWALK GUY THROUGH BOLT TYPE</p>	DATE: 04-18-07
		<p>STANDARD NUMBER</p> <p>E1-2SW</p>

For guys adjacent to energized conductors: position Guy Strain Insulator centered along energized conductor.



### MATERIAL LIST

Item	COA Commodity Code	Qty.	Description
u	SO-TH-U	4	Deadend for Galvanized Steel Strand, 1/2"
y	SO-TH-Y	75	Galvanized Steel Strand, 3/8" EHS
at	2859902328	1	Guy Guard, 8', Yellow
w	SO-TH-W	1	Guy Strain Insulator, 54", 30,000# Rating
du	SO-TH-DU	2	Connecting Link, 1/4" x 3" x 9 1/2" With 15/16" and 1 1/4" Chamfered Holes
dv	2857802525	1	Clevis, Thimble
ek	SO-TH-EK78	8	Locknut, 7/8"
fv	SO-TH-FV	1	Pole Band, 1/4" x 4" Steel, 4-Way 90° With 7/8" Bolts and Studs

City of  
Alexandria

Electric Distribution

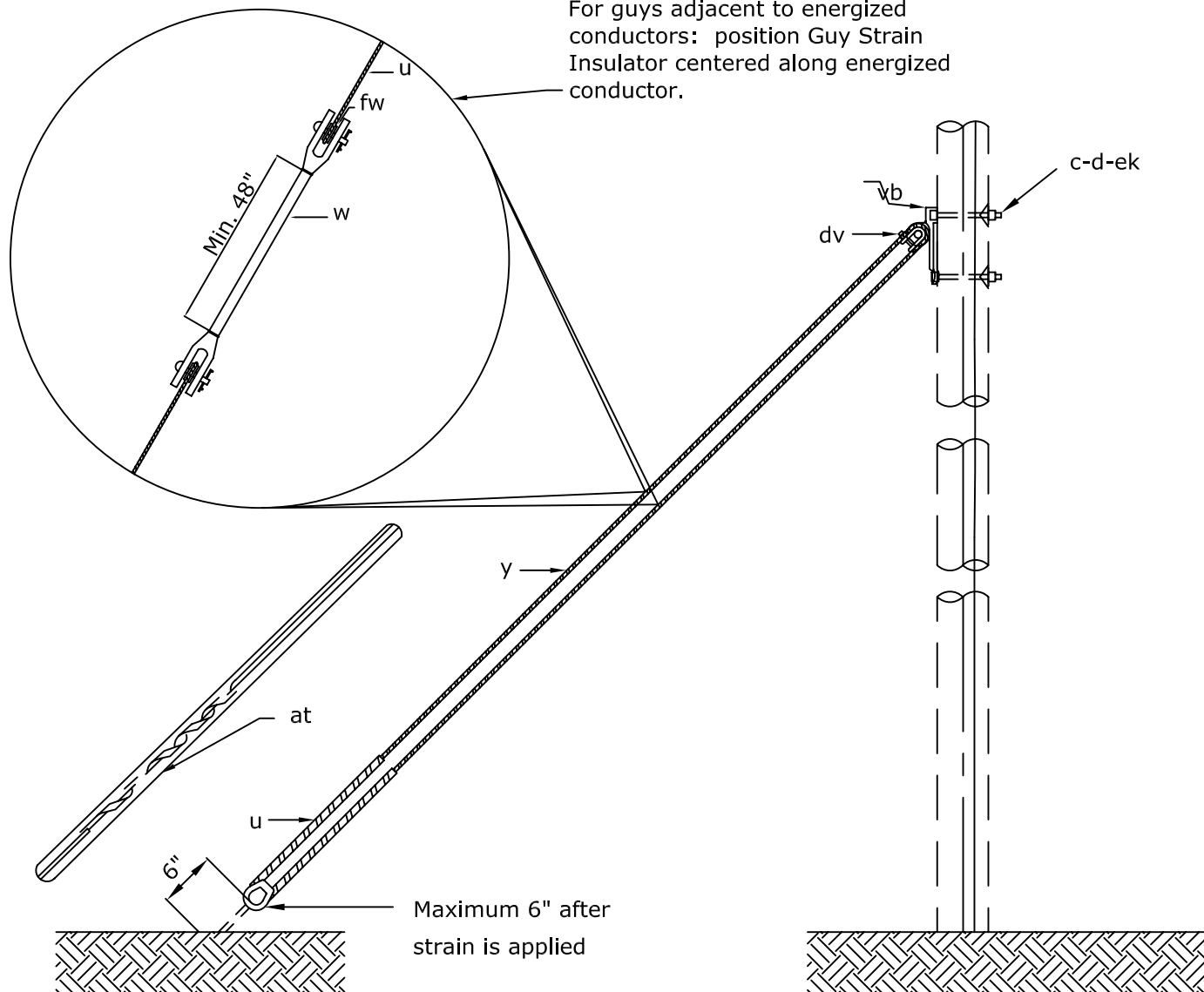
INSULATED SINGLE DOWN GUY  
POLE BAND TYPE

DATE: 04-19-07

STANDARD  
NUMBER

E1-3S

For guys adjacent to energized conductors: position Guy Strain Insulator centered along energized conductor.

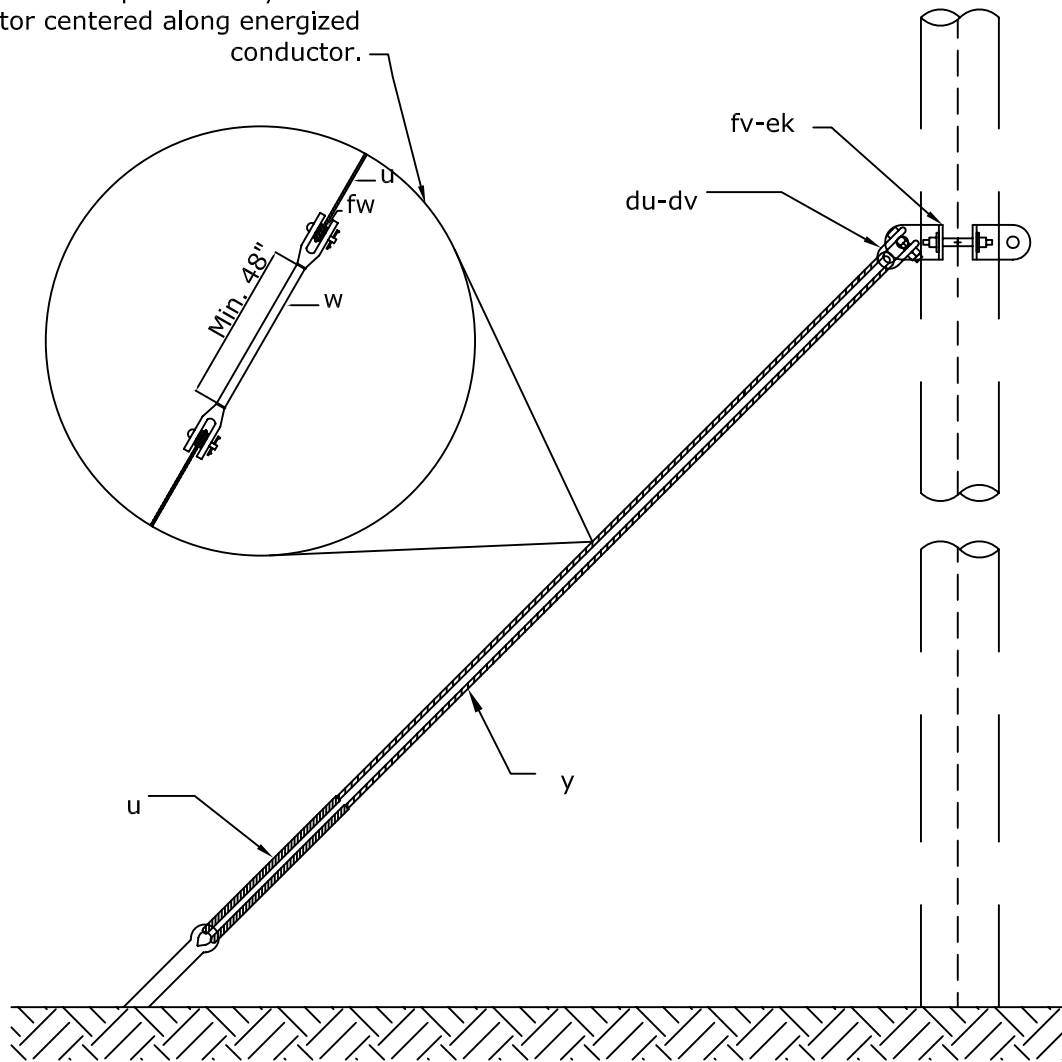


MATERIAL LIST

Item	COA Commodity Code	Qty.	Description
c	28574020XX	2	Bolt, Machine, 5/8" x Required Length
d	285740232X	2	Washer, 2 1/4" or 3" Square With 13/16" Hole
u	2857402213	6	Deadend for Galvanized Steel Strand, 3/8"
w	2857402492	2	Guy Strain Insulator, 54"
y	2804002116	120	Galvanized Steel Strand, 3/8" EHS
at	2859902328	1	Guy Guard, 8', Yellow
dv	2857802525	1	Clevis, Thimble
ek	285740XXXX	2	Locknut, 5/8"
vb	2857802527	1	Plate, Pole Eye

<p>City of Alexandria</p> <p>Electric Distribution</p>	<p>INSULATED DOUBLE DOWN GUY HEAVY DUTY THROUGH BOLT TYPE</p>	DATE: 04-18-07
		<p>STANDARD NUMBER</p> <p>E1-4S</p>

For guys adjacent to energized conductors: position Guy Strain Insulator centered along energized conductor.



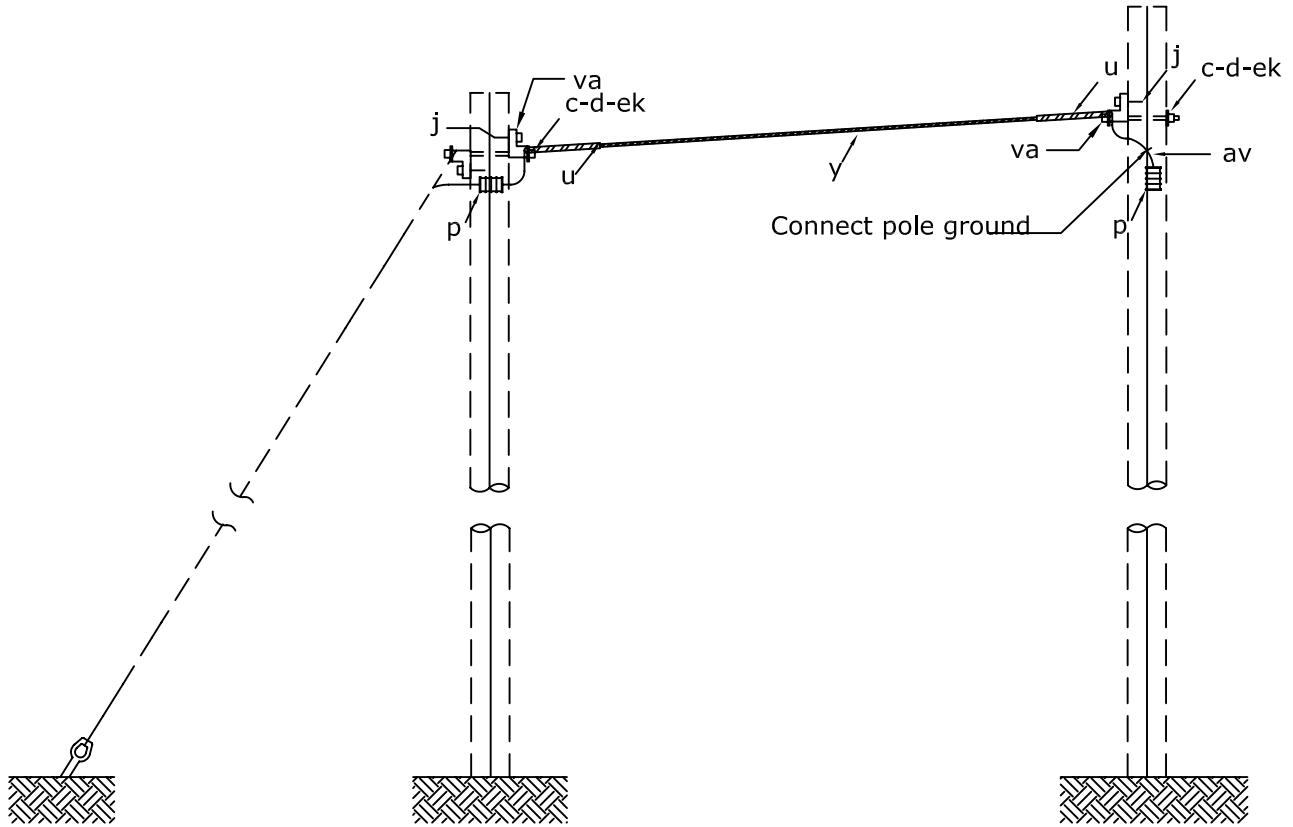
MATERIAL LIST

Item	COA Commodity Code	Qty.	Description
u	SO-TH-U	6	Deadend for Galvanized Steel Strand, 1/2"
y	SO-TH-Y	150	Galvanized Steel Strand, 3/8" EHS
at	2859902328	1	Guy Guard, 8', Yellow
w	SO-TH-W	2	Guy Strain Insulator, 54", 30,000# Rating
du	SO-TH-DU	2	Connecting Link, 1/4" x 3" x 9 1/2" With 15/16" and 1 1/4" Chamfered Holes
dv	2857802525	1	Clevis, Thimble
ek	SO-TH-EK78	8	Locknut, 7/8"
fv	SO-TH-FV	1	Pole Band, 1/4" x 4" Steel, 4-Way 90° With 7/8" Bolts and Studs

<p>City of Alexandria</p> <p>Electric Distribution</p>	<p>INSULATED DOUBLE DOWN GUY POLE BAND TYPE</p>	DATE: 04-19-07
		<p>STANDARD NUMBER</p> <p>E1-5S</p>



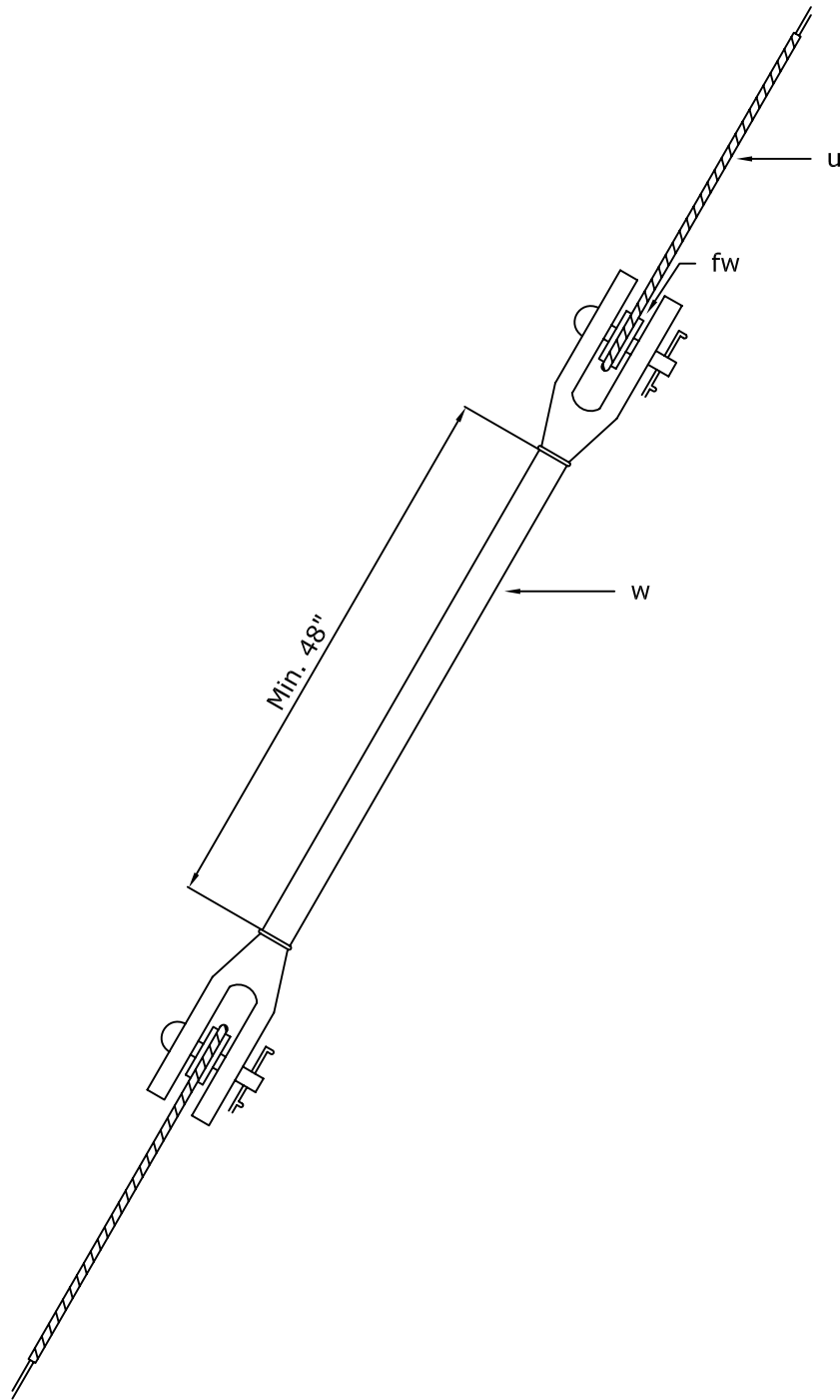
NOTE: Use 3" washer behind Guy Attachment for conductors larger than 1/0.



MATERIAL LIST

Item	COA Commodity Code	Qty.	Description
c	28574020XM	2	Bolt, Machine, 5/8" x Required Length
d	2857402322	2	Washer, 2 1/4" or 3" Square With 13/16" Hole
j	2857402320	2	Lag Screw, 1/2" x 4"
p	28574022XX	2	Connector, Compression, Sized as Required
u	2857402213	2	Deadend for Galvanized Steel Strand, 3/8"
y	2804002116	75	Galvanized Steel Strand, 3/8" EHS
av	NA	1	Jumper, #6 Cu
ek	285740XXXX	2	Locknut, 5/8"
va	2857402471	2	Guy Attachment (For Guy Strain Insulator, If Required)

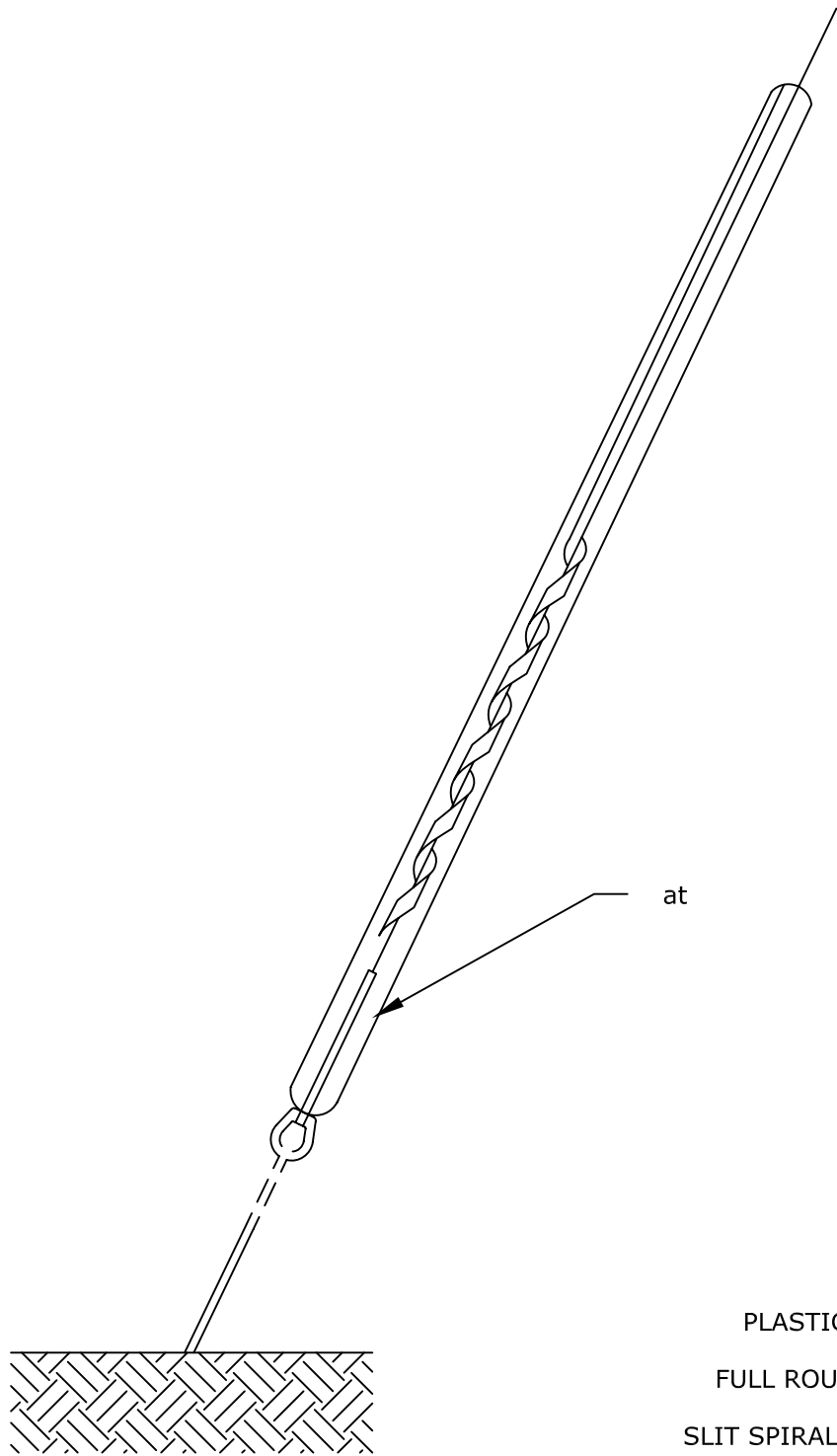
<p>City of Alexandria</p> <p>Electric Distribution</p>	<p>SINGLE OVERHEAD GUY THROUGH BOLT TYPE</p>	DATE: 04-18-07
		<p>STANDARD NUMBER</p> <p>E2-2</p>



MATERIAL LIST

Item	COA Commodity Code	Qty.	Description
u	2857402213	2	Deadend for Galvanized Steel Strand, 3/8"
w	2857402492	1	Guy Strain Insulator, 54"

<p>City of Alexandria</p> <p>Electric Distribution</p>	<p>GUY STRAIN INSULATOR</p>	DATE: 04-18-07
		<p>STANDARD NUMBER</p> <p>E-INS</p>

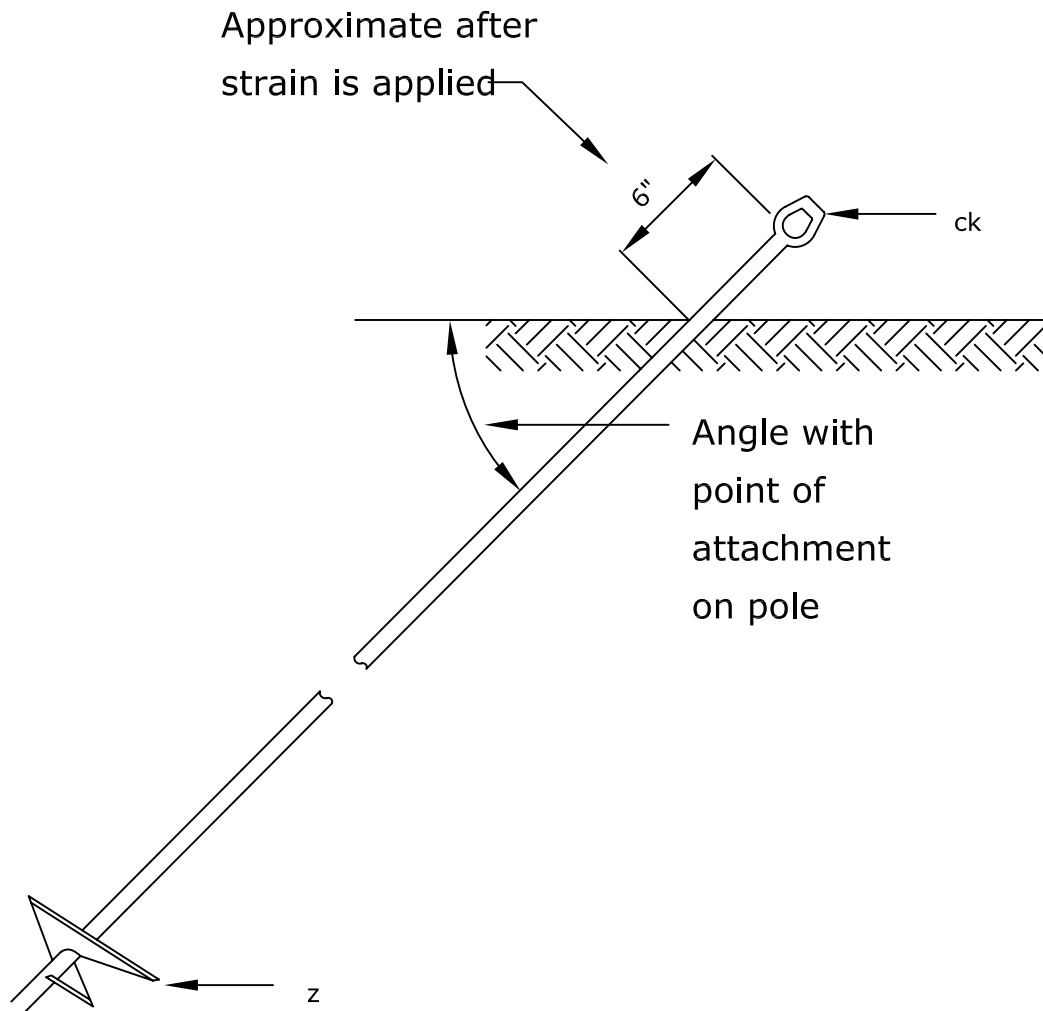


PLASTIC  
 FULL ROUND  
 SLIT SPIRAL TYPE

MATERIAL LIST

Item	COA Commodity Code	Qty.	Description
at	2859902328	1	Guy Guard, 8', Yellow

<p><i>City of Alexandria</i>  <i>Electric Distribution</i></p>	<p>GUY MARKER</p>	<p>DATE: 04-18-07</p>
		<p>STANDARD NUMBER  E-M</p>

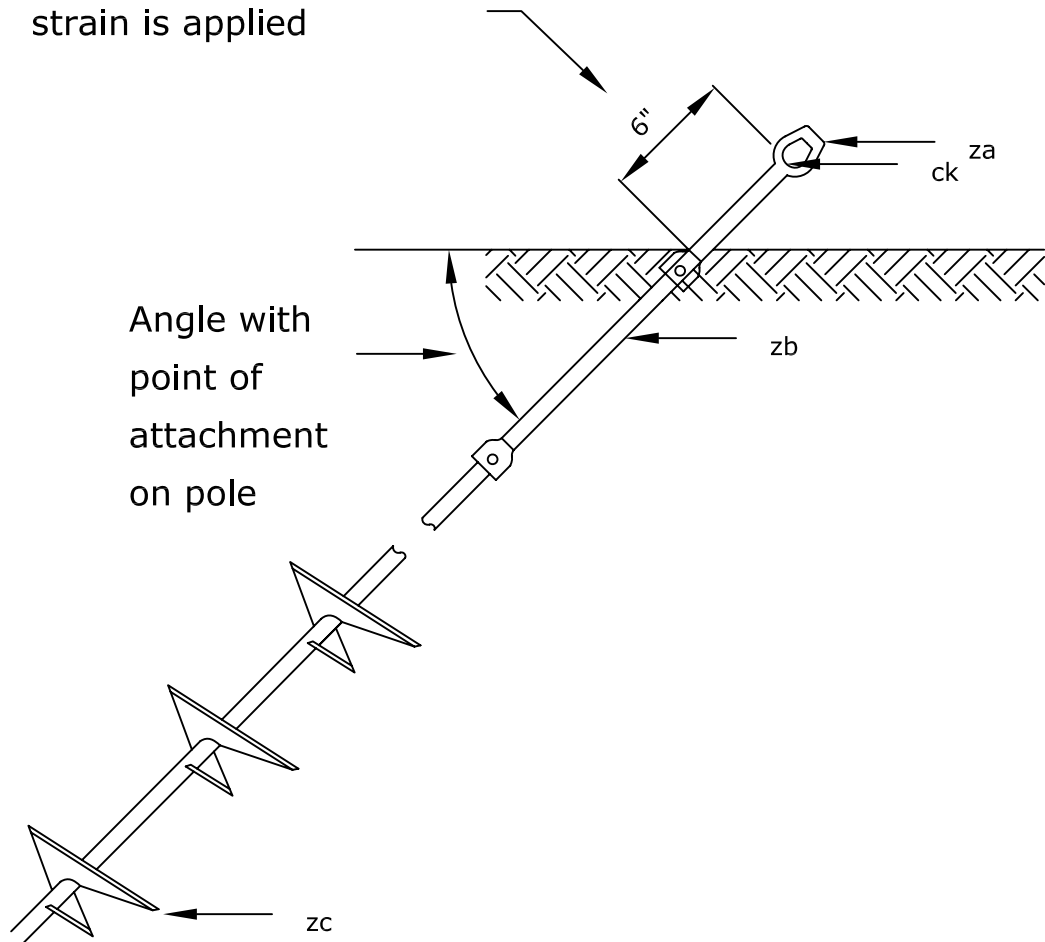


MATERIAL LIST

Item	COA Commodity Code	Qty.	Description
z	2807502297	1	Anchor, PISA, 8" Helix
ck	2851002503	1	Clamp, Anchor Rod Bonding

<p>City of Alexandria</p> <p>Electric Distribution</p>	<p>POWER INSTALLED ANCHOR 8" SINGLE HELIX</p>	DATE: 04-18-07
		<p>STANDARD NUMBER</p> <p>FP-1</p>

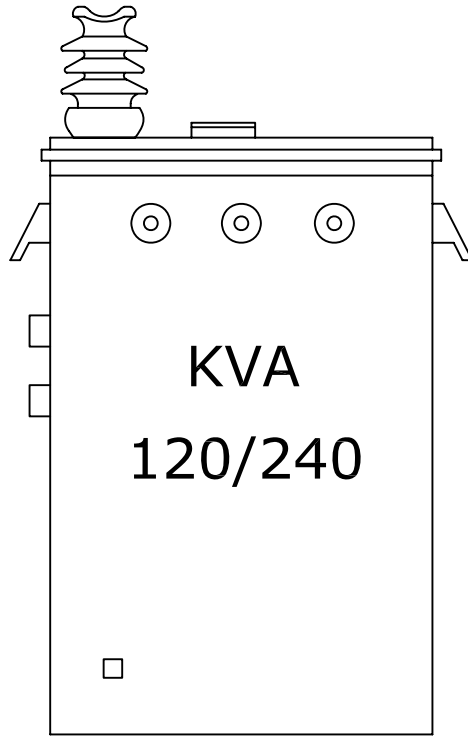
Approximate after strain is applied



MATERIAL LIST

Item	COA Commodity Code	Qty.	Description
za	2807502324	1	Anchor, Guy Adapter, 1.5" Shaft
zb	2807502325	1	Anchor, Extension 1.5" x 5'
zc	2807502323	1	Anchor, Triple Helix, 1.5" Shaft
ck	2851002503	1	Clamp, Anchor Rod Bonding

<p>City of Alexandria</p> <p>Electric Distribution</p>	<p>TRIPLE HELIX ANCHOR WITH 5' EXTENSION AND GUY ADAPTER</p>	DATE: 04-18-07
		<p>STANDARD NUMBER</p> <p>FP-3</p>

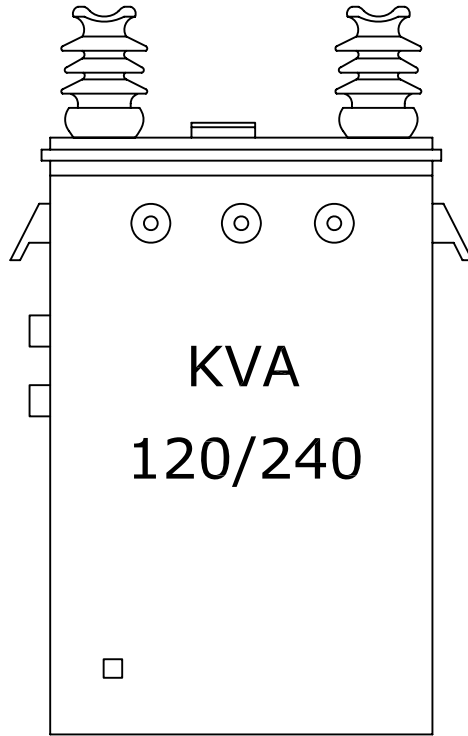


NOTE: All secondary leads shall be THHN or THW insulated.

**MATERIAL LIST**

Transformer Information		Material Commodity Codes			
Unit Name	Transformer	Tank Ground #2851002136	1/0 Cu Sec. Leads #2801602500	4/0 Cu Sec. Leads #2802402121	500 Cu Sec. Leads #2802402122
G1B72-120-5	G1B721205	1	12 Feet		
G1B72-120-10	G1B7212010	1	12 Feet		
G1B72-120-15	G1B7212015	1	12 Feet		
G1B72-120-25	G1B7212025	1	12 Feet		
G1B72-120-37	G1B7212037	1		12 Feet	
G1B72-120-50	G1B7212050	1		15 Feet	
G1B72-120-75	G1B7212075	1		15 Feet	
G1B72-120-100	G1B72120100	1			18 Feet
G1B72-120-167	G1B72120167	1			18 Feet

<p><i>City of Alexandria</i></p> <p><i>Electric Distribution</i></p>	<p>TRANSFORMER, ONE BUSHING, 7200V PRIMARY 120/240V SECONDARY</p>	DATE: 04-11-07
		<p>STANDARD NUMBER</p> <p><b>G1B72-120-KVA</b></p>



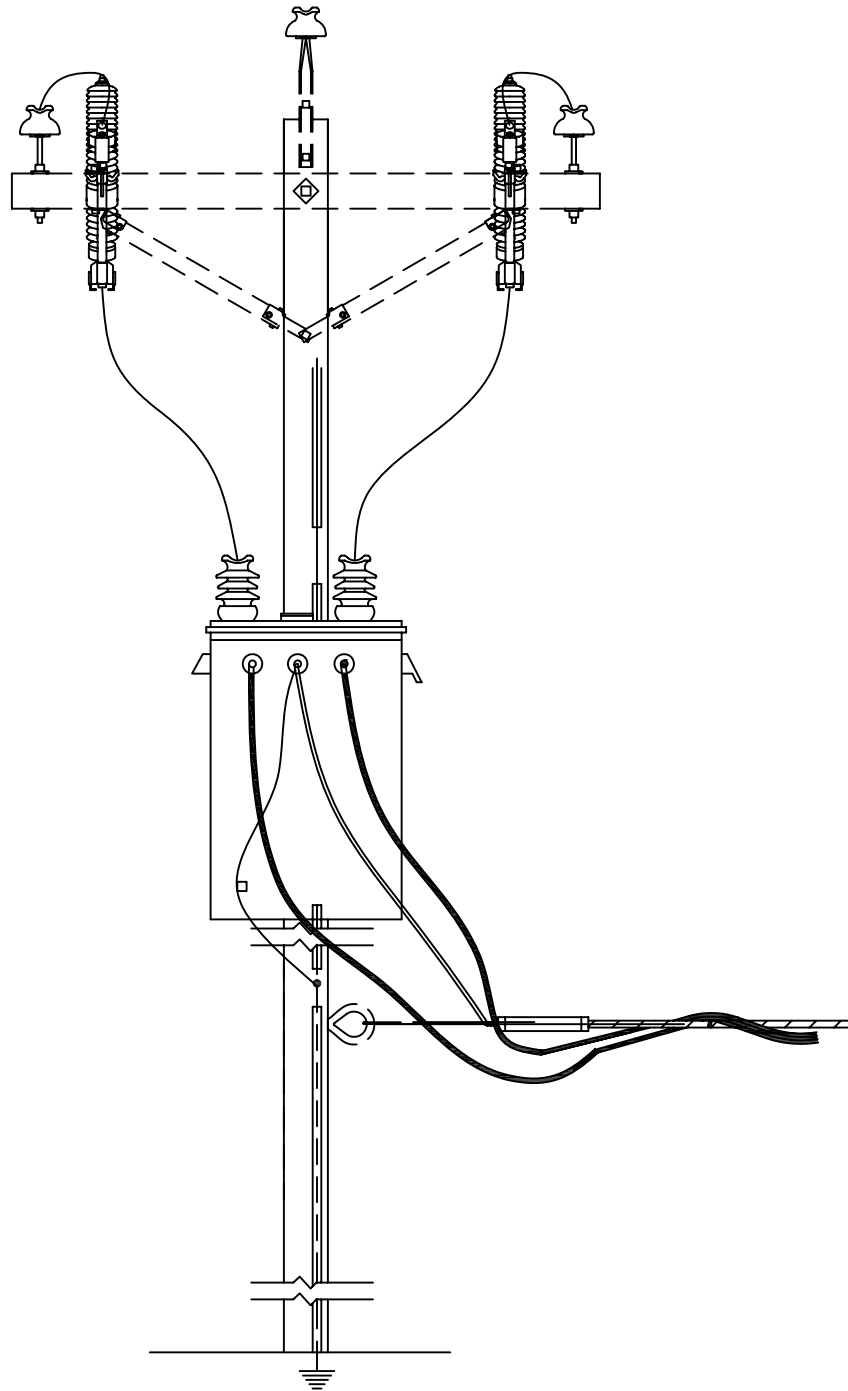
NOTE: All secondary leads shall be THHN or THW insulated.

**MATERIAL LIST**

Transformer Information		Material Commodity Codes			
Unit Name	Transformer	Tank Ground #2851002136	1/0 Cu Sec. Leads #2801602500	4/0 Cu Sec. Leads #2802402121	500 Cu Sec. Leads #2802402122
G2B24-120-5	G2B241205	1	12 Feet		
G2B24-120-10	G2B2412010	1	12 Feet		
G2B24-120-15	G2B2412015	1	12 Feet		
G2B24-120-25	G2B2412025	1	12 Feet		
G2B24-120-37	G2B2412037	1		12 Feet	
G2B24-120-50	G2B2412050	1		15 Feet	
G2B24-120-75	G2B2412075	1		15 Feet	
G2B24-120-100	G2B24120100	1			18 Feet
G2B24-120-167	G2B24120167	1			18 Feet

<p><i>City of Alexandria</i></p> <p><i>Electric Distribution</i></p>	<p>TRANSFORMER, 2 BUSHING, 2400V PRIMARY 120/240V SECONDARY</p>	DATE: 04-11-07
		<p>STANDARD NUMBER</p> <p>G2B24-120-KVA</p>

# RETIREMENT ONLY



City of  
Alexandria

Electric Distribution

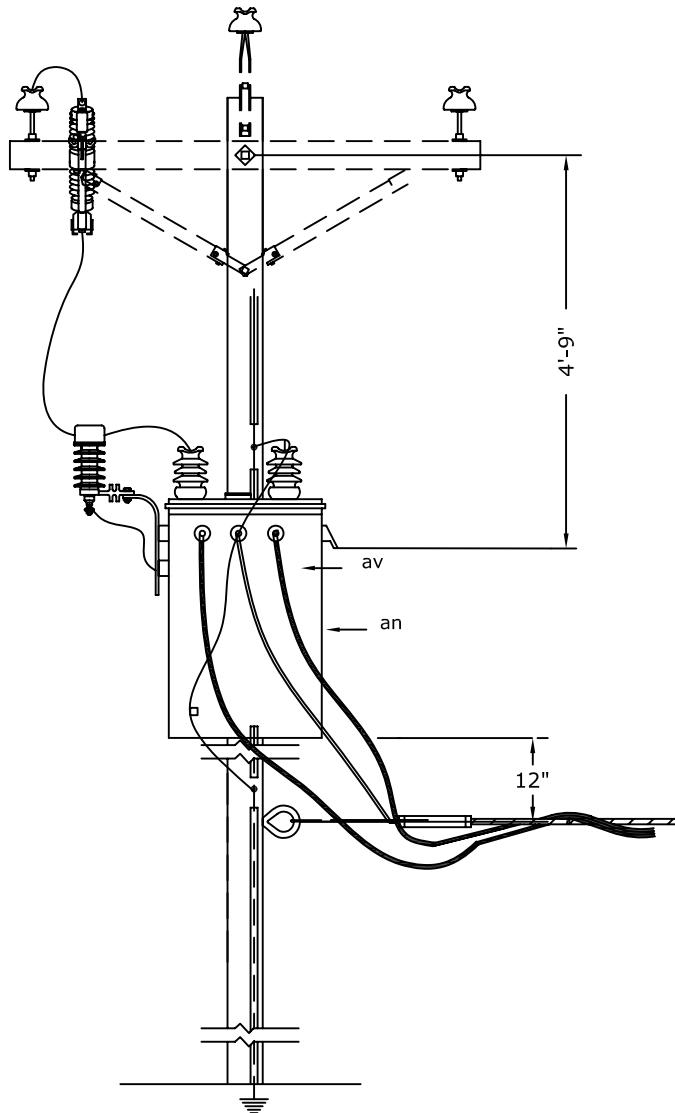
2,400V DELTA CONNECTED  
SINGLE PHASE TRANSFORMER

DATE: 08-04-05

STANDARD  
NUMBER

G10





**NOTES:**

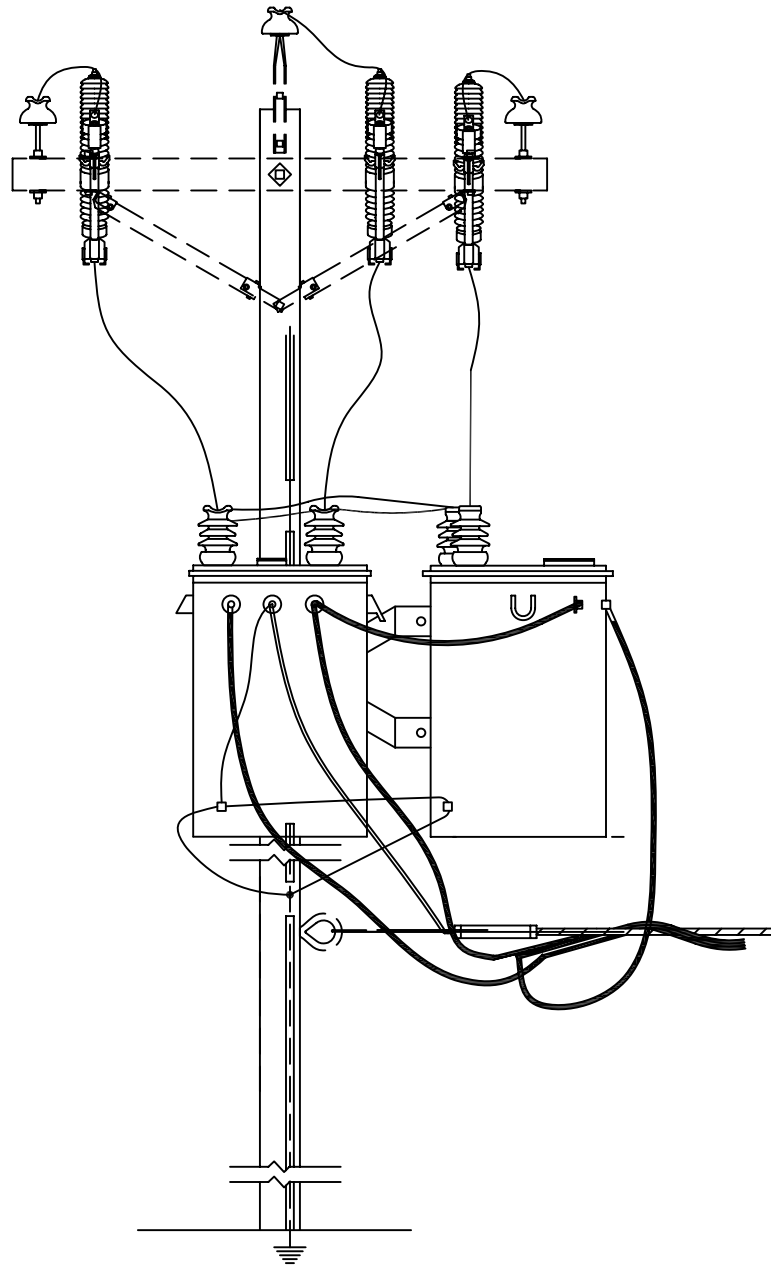
- 1- Connect transformer neutral to system ground.
- 2- Install M-AG assembly on all installed or relocated transformers.

**MATERIAL LIST**

Item	COA Commodity Code	Qty.	Description
c	28574020XM	2	Bolt, Machine, 1/2" x Required Length
d	2857402322	2	Washer, 2 1/4" Square With 13/16" Hole
p	28574022XX	4	Connector, Compression or Bolted, Sized as Required
ae	2850302004	1	Lightning Arrester, Distribution Class, 10kV (Tank Mounted)
af	2852820010	1	Cutout, 15kV Single Shot with Mounting Bracket
ap	2851002131	1	Clamp, Hot Line
av	2801602118	10	Jumper, #6 Solid Copper
av	2801602475	6	Jumper, #6 Solid Copper, 5kV Coated
ek	285740XXXX	2	Locknut, 5/8"
wg	2859902329	1	Wildlife Guard, 5.5"

<p><i>City of Alexandria</i></p> <p><i>Electric Distribution</i></p>	<p>SINGLE PHASE TRANSFORMER 120/240V SERVICE</p>	DATE: 04-19-07
		<p>STANDARD NUMBER</p> <p><b>G11</b></p>

# RETIREMENT ONLY



City of  
Alexandria

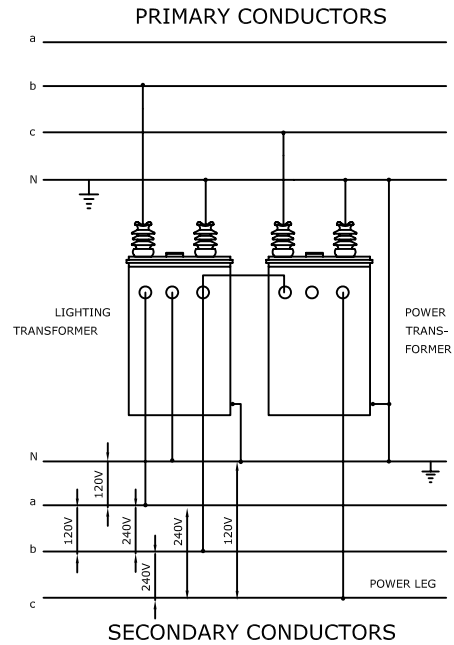
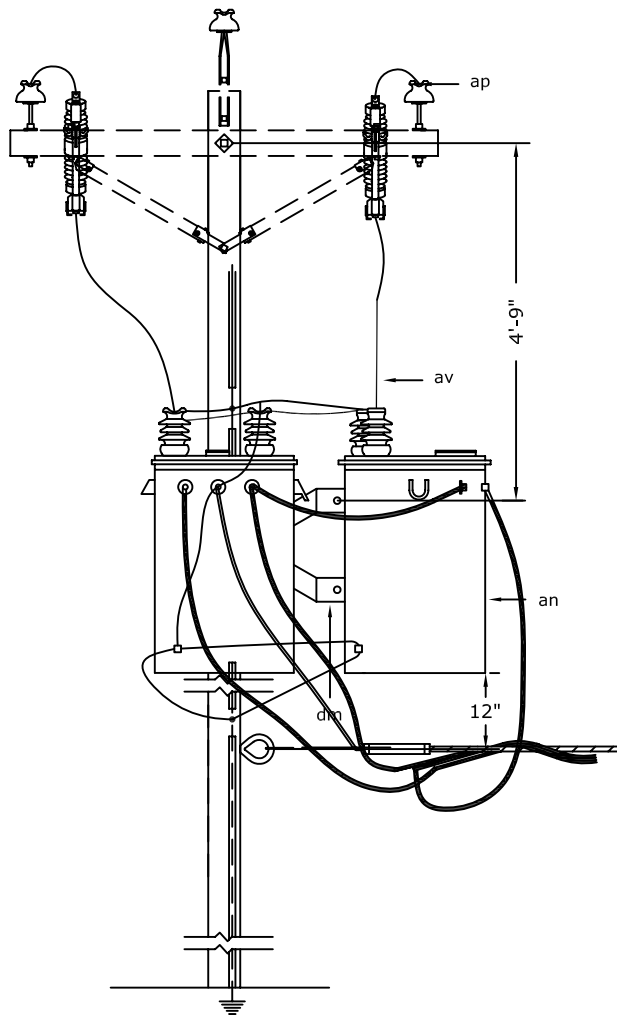
Electric Distribution

2,400V DELTA CONNECTED  
THREE PHASE TRANSFORMER BANK  
120/240V OPEN DELTA SERVICE

DATE: 08-04-05

STANDARD  
NUMBER

G20



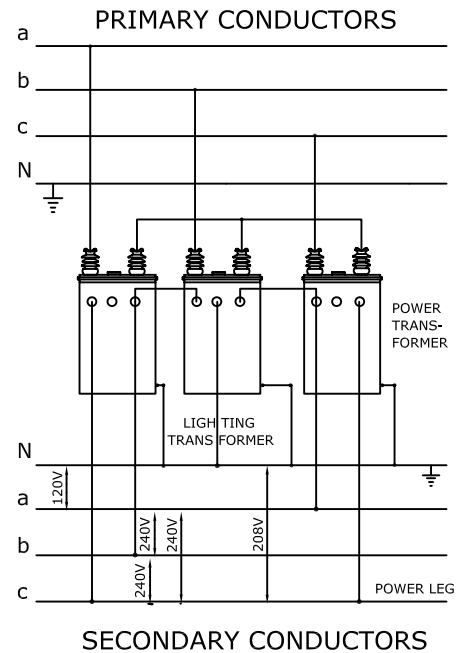
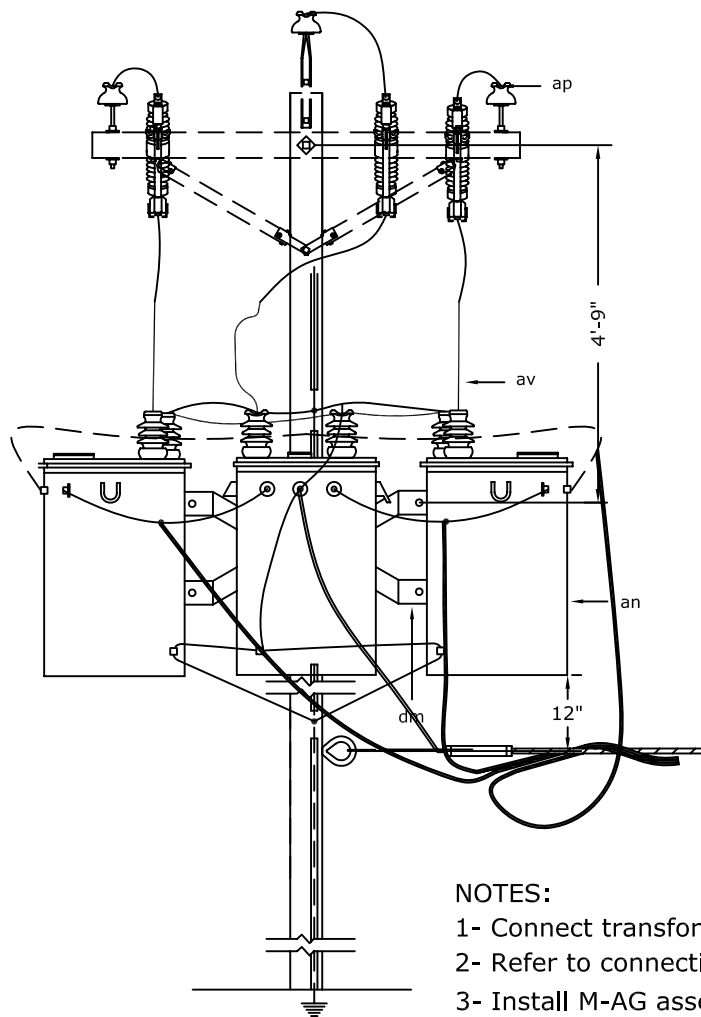
**NOTES:**

- 1- Connect transformer neutral to system ground.
- 2- Refer to connection details for transformer wiring schematics.
- 3- Increase spacing for cluster mount to 5'-9" for transformers over 50KVA.
- 4- Install M-AG assembly on all installed or relocated transformers.
- 5- All lightning arresters shall be mounted on the transformer tank.

**MATERIAL LIST**

Item	COA Commodity Code	Qty.	Description
c	28574020XM	2	Bolt, Machine, 1/2" x Required Length
d	2857402322	2	Washer, 2 1/4" Square With 13/16" Hole
p	28574022XX	5	Connector, Compression or Bolted, Sized as Required
ae	2850302004	2	Lightning Arrester, Distribution Class, 10kV (Tank Mounted)
af	2852820010	2	Cutout, 15kV Single Shot with Mounting Bracket
ap	2851002131	2	Clamp, Hot Line
av	2801602118	20	Jumper, #6 Solid Copper
av	2801602475	12	Jumper, #6 Solid Copper, 5kV Coated
dm	2857402308	1	Bracket, Transformer Cluster Mount
ek	285740XXXX	2	Locknut, 5/8"
wg	2859902329	2	Wildlife Guard, 5.5"

<p><i>City of Alexandria</i></p> <p><i>Electric Distribution</i></p>	<p>THREE PHASE TRANSFORMER BANK</p> <p>120/240V OPEN-DELTA SERVICE</p>	DATE: 04-19-07
		<p>STANDARD NUMBER</p> <p><b>G21</b></p>



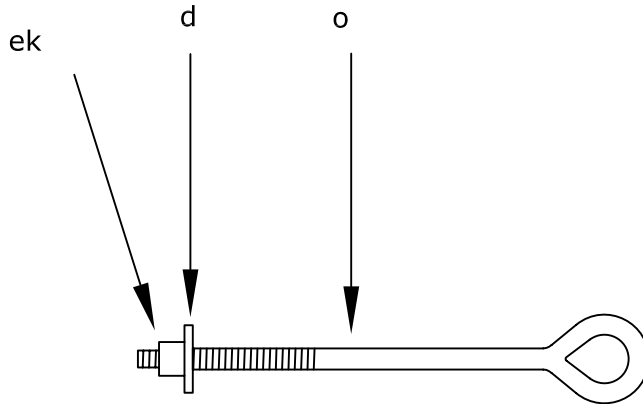
**NOTES:**

- 1- Connect transformer neutral to system ground.
- 2- Refer to connection details for transformer wiring schematics.
- 3- Install M-AG assembly on all installed or relocated transformers.
- 4- All lightning arresters shall be mounted on the transformer tank.

**MATERIAL LIST**

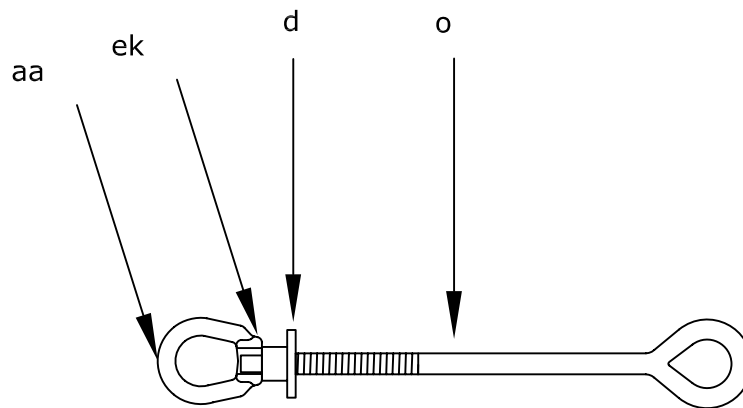
Item	COA Commodity Code	Qty.	Description
a	2857402299	1	Insulator, Pin Type
c	28574020XM	2	Bolt, Machine, 1/2" x Required Length
d	2857402322	2	Washer, 2 1/4" Square With 13/16" Hole
n	28574020XD	1	Bolt, Double Arming, 5/8" x Required Length
p	28574022XX	5	Connector, Compression or Bolted, Sized as Required
ae	2850302004	3	Lightning Arrester, Distribution Class, 10kV (Tank Mounted)
af	2852820010	3	Cutout, 15kV Single Shot with Mounting Bracket
ap	2851002131	3	Clamp, Hot Line
av	2801602118	30	Jumper, #6 Solid Copper
av	2801602475	18	Jumper, #6 Solid Copper, 5kV Coated
dm	2857402308	1	Bracket, Transformer Cluster Mount, Small
ek	285740XXXX	3	Locknut, 5/8"
pa	2857402316	1	Adapter Pin
wg	2859902329	3	Wildlife Guard, 5.5"

<p><i>City of Alexandria</i></p> <p><i>Electric Distribution</i></p>	<p>THREE PHASE TRANSFORMER BANK (SMALL)</p> <p>120/240V OR 240/480V DELTA SERVICE</p>	DATE: 04-19-07
		<p>STANDARD NUMBER</p> <p><b>G31</b></p>



**J1 - MATERIAL LIST**

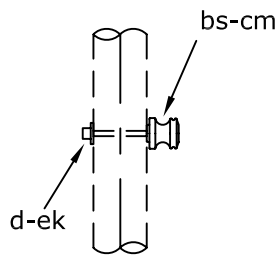
Item	COA Commodity Code	Qty.	Description
d	2857402322	1	Washer, 2 1/4" Square With 13/16" Hole
o	28574020XE	1	Bolt, Oval Eye, 5/8" x Required Length
ek	285740XXXX	1	Locknut, 5/8"



**J2 - MATERIAL LIST**

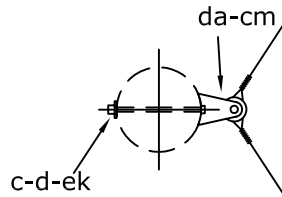
Item	COA Commodity Code	Qty.	Description
d	2857402322	1	Washer, 2 1/4" Square With 13/16" Hole, As Required
o	28574020XE	1	Bolt, Oval Eye, 5/8" x Required Length
aa	2857402310	1	Nut, Oval Eye, 5/8"
ek	285740XXXX	1	Locknut, 5/8"

<p><i>City of Alexandria</i></p> <p><i>Electric Distribution</i></p>	<p>MISCELLANEOUS SECONDARY ASSEMBLIES</p>	DATE: 04-20-07
		<p>STANDARD NUMBER</p> <p>J1 J2</p>



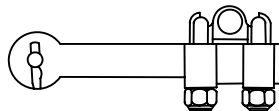
**J5 - MATERIAL LIST**

Item	COA Commodity Code	Qty.	Description
d	2857402322	1	Washer, 2 1/4" Square With 13/16" Hole, As Required
ah	2801602124	5	Tie Wire, #4 Al (Feet)
bs	28574020XU	1	Bolt, Single Upset, 5/8" x Required Length
cm	2857402304	1	Insulator, Spool
ek	285740XXXX	1	Locknut, 5/8"



**J6 - MATERIAL LIST**

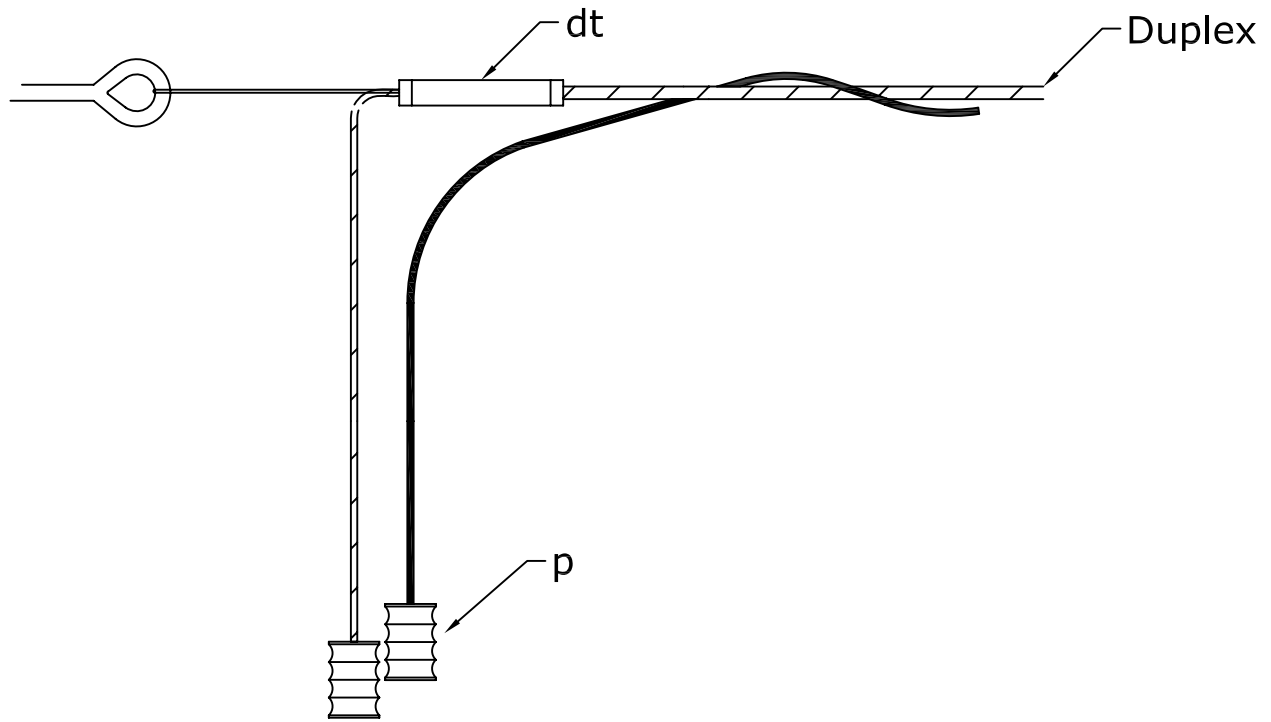
Item	COA Commodity Code	Qty.	Description
c	28574020XM	1	Bolt, Machine, 5/8" x Required Length
d	2857402322	1	Washer, 2 1/4" Square With 13/16" Hole, As Required
ah	2801602124	6	Tie Wire, #4 Al (Feet)
cm	2857402304	1	Insulator, Spool
da	2857402307	1	Bracket, Rigid Clevis
ek	285740XXXX	1	Locknut, 5/8"



**J8 & J8L MATERIAL LIST**

Item	COA Commodity Code	Description	J8	J8L
l	2857402140	Clamp, Deadend, Small	1	
l	2857402142	Clamp, Deadend, Large		1

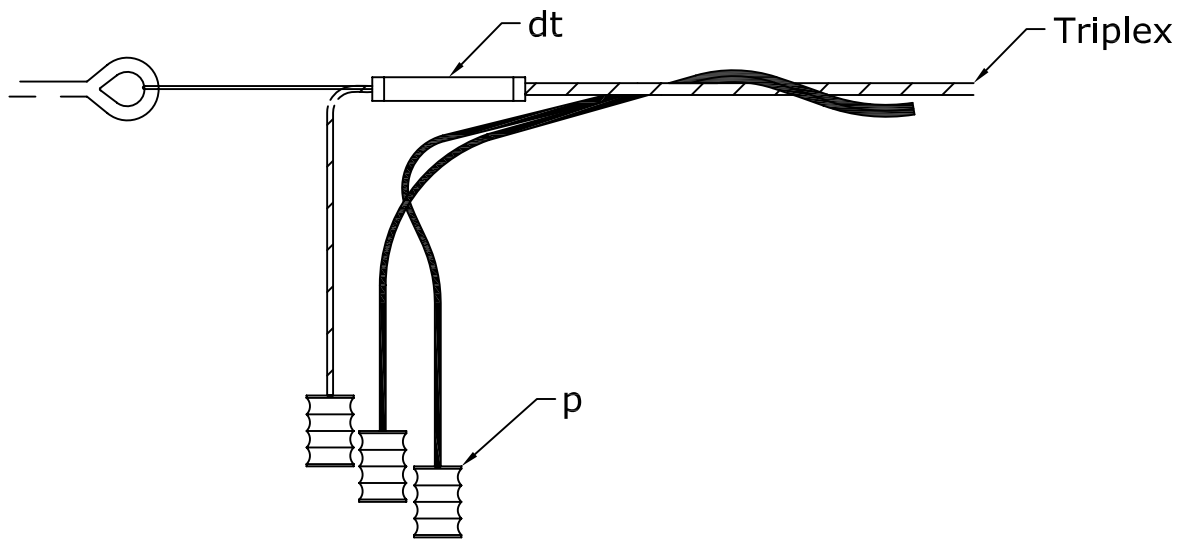
<b>City of Alexandria</b>  <i>Electric Distribution</i>	<b>MISCELLANEOUS SECONDARY ASSEMBLIES</b>	DATE: 04-20-07
		STANDARD NUMBER J5 J6 J8, J8L



MATERIAL LIST

Item	COA Commodity Code	Qty.	Description
p	2857402237	2	Connector, Compression, YHO-150
dt	2851002129	1	Service Deadend, Wedge Type, Small

<i>City of Alexandria</i>  <i>Electric Distribution</i>	DUPLEX SERVICE DEADEND	DATE: 04-18-07
		STANDARD NUMBER  K1

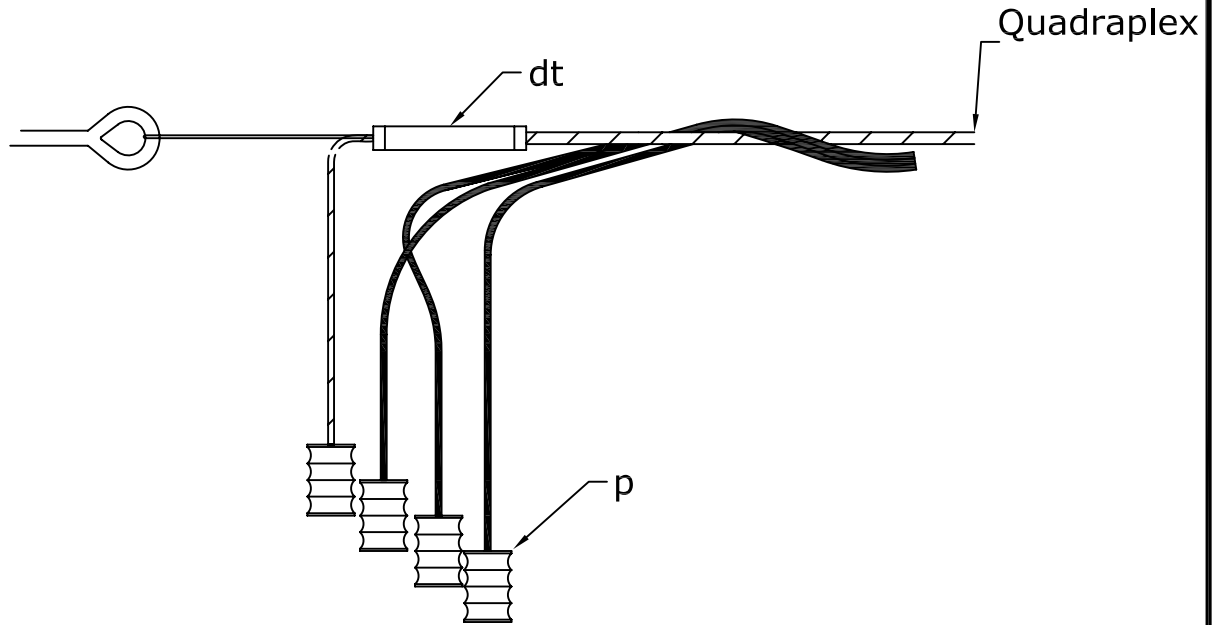


MATERIAL LIST

Item	COA Commodity Code	Description	K2-2	K2-1/0	K2-4/0	K2-336
l	2857402142	Clamp, Deadend, Large				1
p	2857402237	Connector, Compression, YH0-150	3			
p	2857402234	Connector, Compression, YHD-300		3		
p	2857402232	Connector, Compression, YHD-400			3	
p	2857402231	Connector, Compression, YHN-450				3
dt	2851002129	Service Deadend, Wedge Type, Small	1			
dt	2851002130	Service Deadend, Wedge Type, Large		1	1	

<p><i>City of Alexandria</i></p> <p><i>Electric Distribution</i></p>	<p>TRIPLEX SERVICE DEADEND</p>	DATE: 04-18-07
		<p>STANDARD NUMBER</p> <p>K2</p>

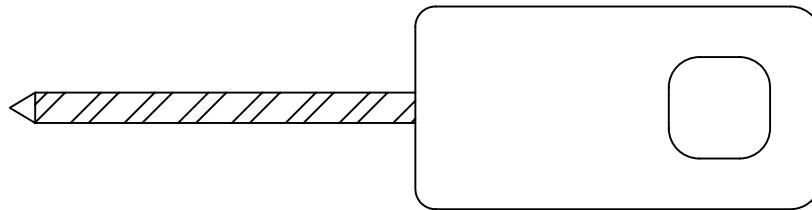




MATERIAL LIST

Item	COA Commodity Code	Description	K3-2	K3-1/0	K3-4/0	K3-336
l	2857402142	Clamp, Deadend, Large				1
p	2857402237	Connector, Compression, YH0-150	4			
p	2857402234	Connector, Compression, YHD-300		4		
p	2857402232	Connector, Compression, YHD-400			4	
p	2857402231	Connector, Compression, YHN-450				4
dt	2851002129	Service Deadend, Wedge Type, Small	1			
dt	2851002130	Service Deadend, Wedge Type, Large		1	1	

City of Alexandria  Electric Distribution	QUADRAPLEX SERVICE DEADEND	DATE: 04-18-07
		STANDARD NUMBER  K3

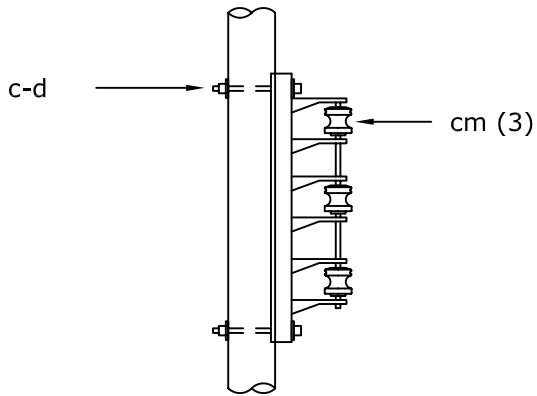


K10 - MATERIAL LIST

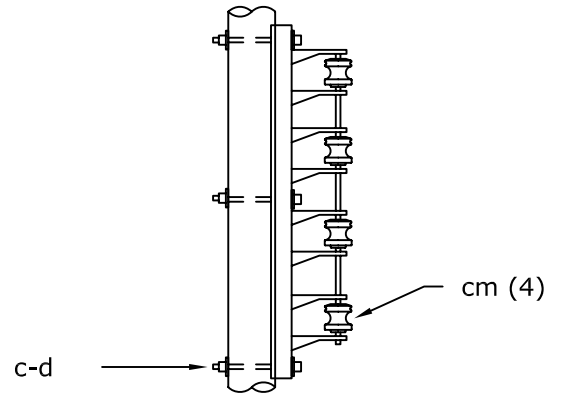
Item	COA Commodity Code	Qty.	Description
ar	2857402298	1	Wireholder (House Knob)

<p><i>City of Alexandria</i></p> <p><i>Electric Distribution</i></p>	<p>MISCELLANEOUS SECONDARY ASSEMBLIES</p>	<p>DATE: 04-20-07</p>
		<p>STANDARD NUMBER</p> <p>K10</p>

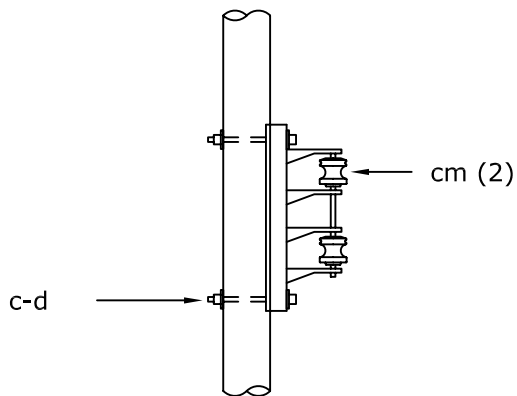
# RETIREMENT ONLY



SR-3

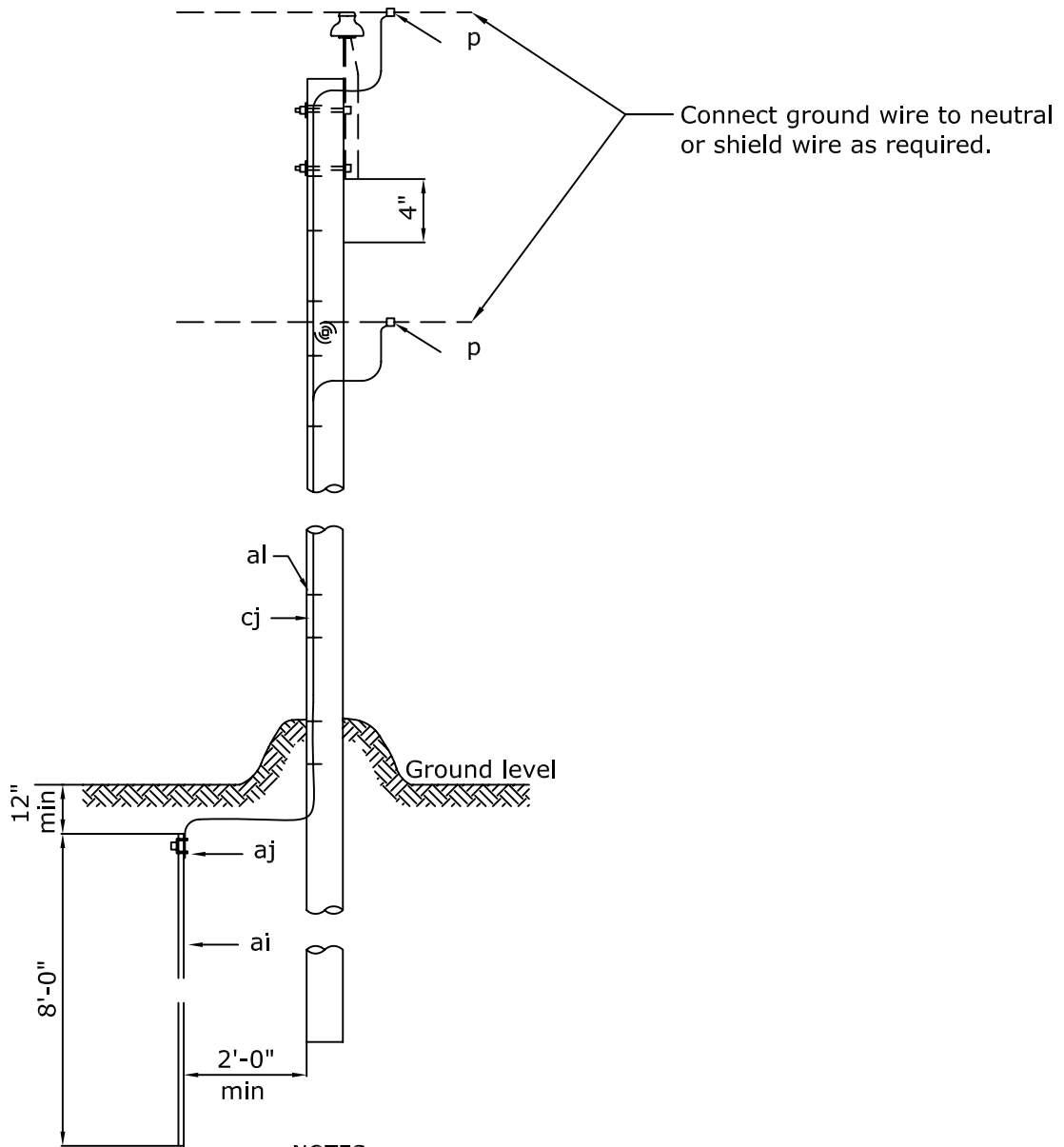


SR-4



SR-2

<p>City of Alexandria</p> <p>Electric Distribution</p>	<p>SECONDARY RACKS</p>	<p>DATE: 12-21-04</p> <p>STANDARD NUMBER</p> <p>SR</p>
------------------------------------------------------------	------------------------	------------------------------------------------------------



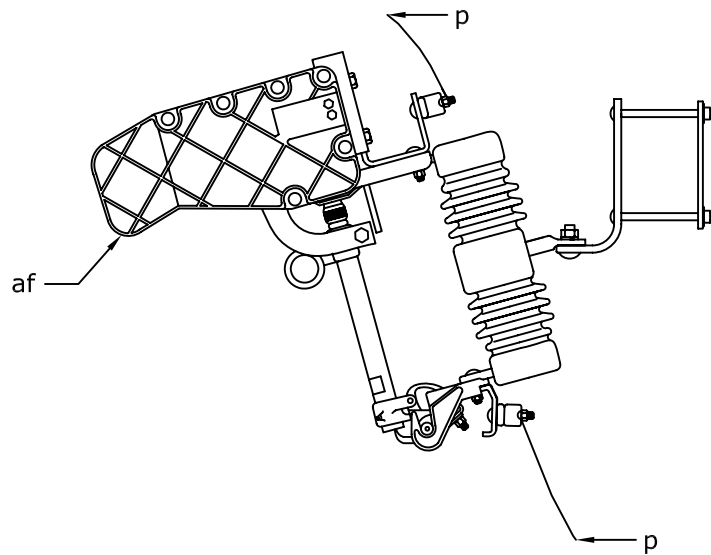
**NOTES:**

- 1- Ground wire to be located on same side as neutral conductor and in quadrant opposite climbing space or pole top pin.
- 2- Staples on ground wire shall be 2'-0" apart. Except for a distance of 8'-0" above ground and 8'-0" from top of pole, where they shall be 6" apart.
- 3- Ground wire to clear all hardware by 2" minimum, and shall be stapled to maintain this position.

**MATERIAL LIST**

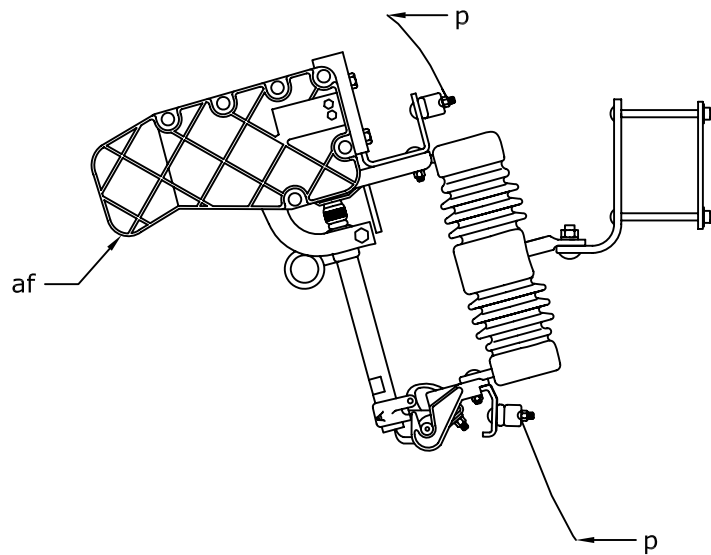
Item	COA Commodity Code	Qty.	Description
p	28574022XX	1	Connector, Sized As Required
ai	2854002319	1	Ground Rod, 5/8" x 8', Copperweld
aj	2854002133	1	Clamp, Ground Rod
al	2857402330	1	Staples, Ground Wire (per pound)
cj	2801602118	60	Ground Wire, #6 Soft Drawn Copper (or equal)

<p><i>City of Alexandria</i></p> <p><i>Electric Distribution</i></p>	<p><b>GROUNDING ASSEMBLY</b></p> <p><b>GROUND ROD TYPE</b></p>	DATE: 04-20-07
		<p>STANDARD NUMBER</p> <p><b>M2-1</b></p>



MATERIAL LIST

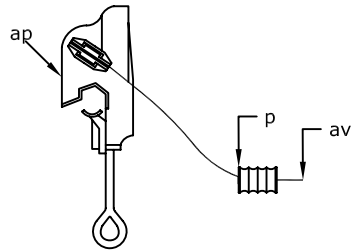
Item	COA Commodity Code	Qty.	Description
p	28574022XX	2	Connector, Sized As Required (if required)
af	2852820002	1	Cutout, 15kV 100A Loadbreak, with Mounting Bracket



MATERIAL LIST

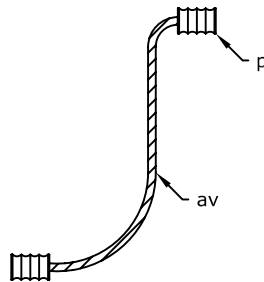
Item	COA Commodity Code	Qty.	Description
p	28574022XX	2	Connector, Sized As Required (If Required)
af	2852820003	1	Cutout, 15kV 200A Loadbreak, with Mounting Bracket

<p>City of Alexandria</p> <p>Electric Distribution</p>	<p>100A LOADBREAK CUTOUT</p> <p>200A LOADBREAK CUTOUT</p>	DATE: 04-20-07
		<p>STANDARD NUMBER</p> <p>M3-5A</p> <p>M3-5B</p>



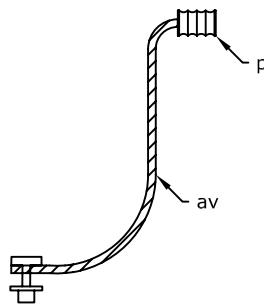
M5-1 - MATERIAL LIST

Item	COA Commodity Code	Qty.	Description
p	28574022XX	1	Connector, Compression, Sized as Required
ap	2851002131	1	Clamp, Hot Line
av	2801602118	6	Jumper, #6 Soft Drawn Copper



M5-1A - MATERIAL LIST

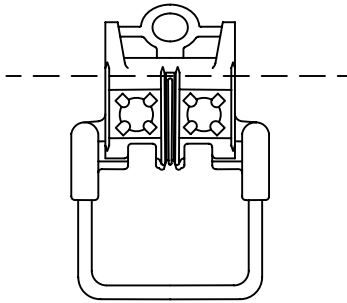
Item	COA Commodity Code	Qty.	Description
p	28574022XX	2	Connector, Compression, Sized as Required
av	NA	1	Jumper, Sized As Required



M5-1CU - MATERIAL LIST

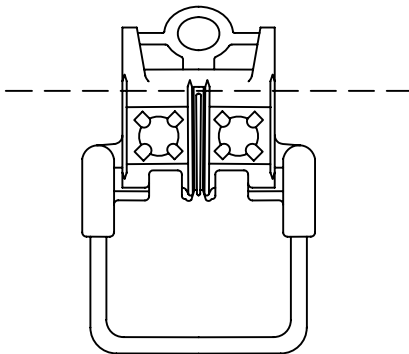
Item	COA Commodity Code	Qty.	Description
p	28574022XX	2	Connector, Compression or Bolted, Sized as Required
av	NA	1	Jumper, Sized As Required

<p>City of Alexandria</p> <p>Electric Distribution</p>	<p>PRIMARY AND SECONDARY JUMPERS</p>	DATE: 04-20-07
		<p>STANDARD NUMBER</p> <p>M5-1 M5-1A M5-1CU</p>



M5-1KS - MATERIAL LIST

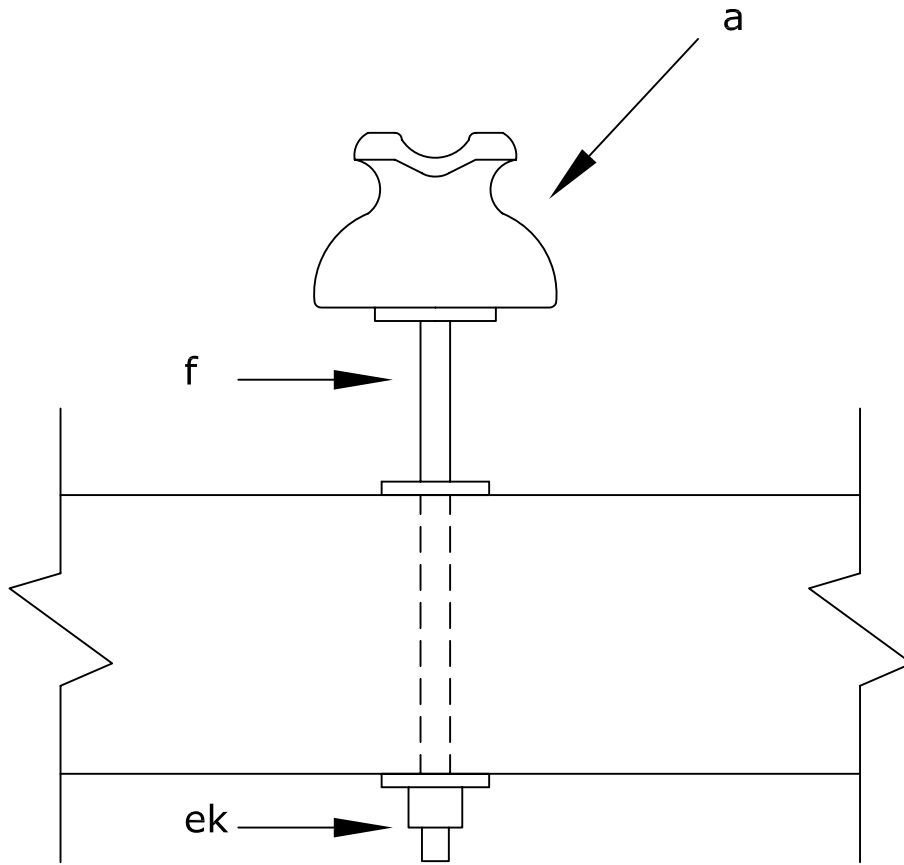
Item	COA Commodity Code	Qty.	Description
-	2851002128	1	Bolted Stirrup, 477 AAC



M5-1KS - MATERIAL LIST

Item	COA Commodity Code	Qty.	Description
-	285100213_	1	Compression Stirrup

<p><i>City of Alexandria</i></p> <p><i>Electric Distribution</i></p>	<p>SMALL CONDUCTOR BOLTED STIRRUP LARGE CONDUCTOR BOLTED STIRRUP</p>	DATE: 04-20-07
		<p>STANDARD NUMBER</p> <p>M5-1X M5-1XL</p>

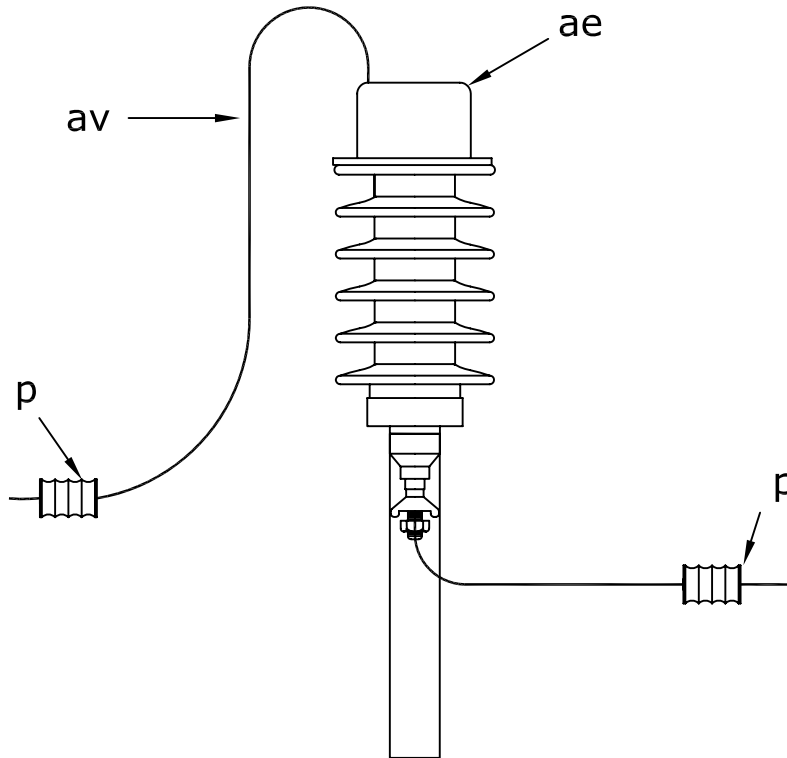


MATERIAL LIST

Item	COA Commodity Code	Qty.	Description
a	2857402299	1	Insulator, Pin Type
f	2857802046	1	Steel Crossarm Pin
ek	285740XXXX	1	Locknut, 5/8"

<p><i>City of Alexandria</i></p> <p><i>Electric Distribution</i></p>	<p>INSULATOR ASSEMBLIES</p>	DATE: 04-20-07
		<p>STANDARD NUMBER</p> <p>M5-5</p>

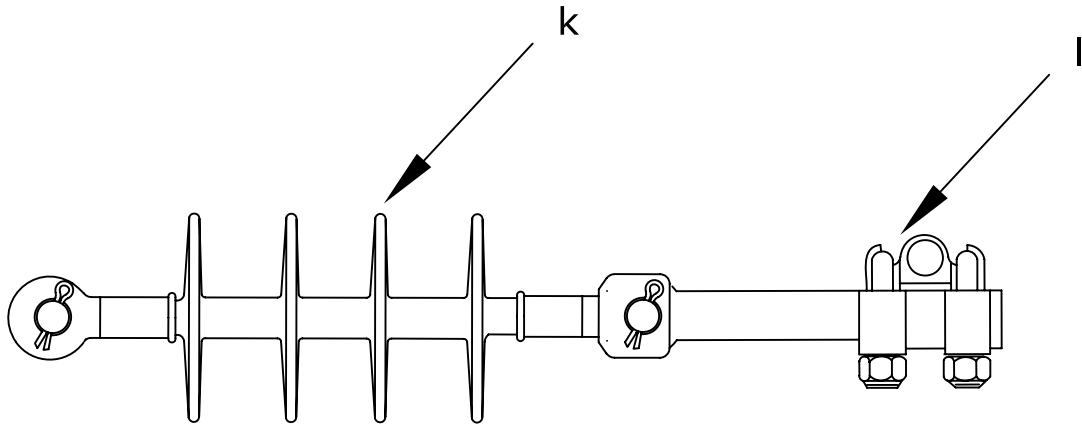




MATERIAL LIST

Item	COA Commodity Code	Description	M5-6A	M5-6B
p	28574022XX	Connector, Compression or Bolted, Sized as Required	2	2
ae	2850302005	Lightning Arrester, Distribution Class, 3kV (With Bracket)	1	
ae	2850302004	Lightning Arrester, Distribution Class, 10kV (With Bracket)		1
av	2801602118	Jumper, #6 Solid Copper	8	8

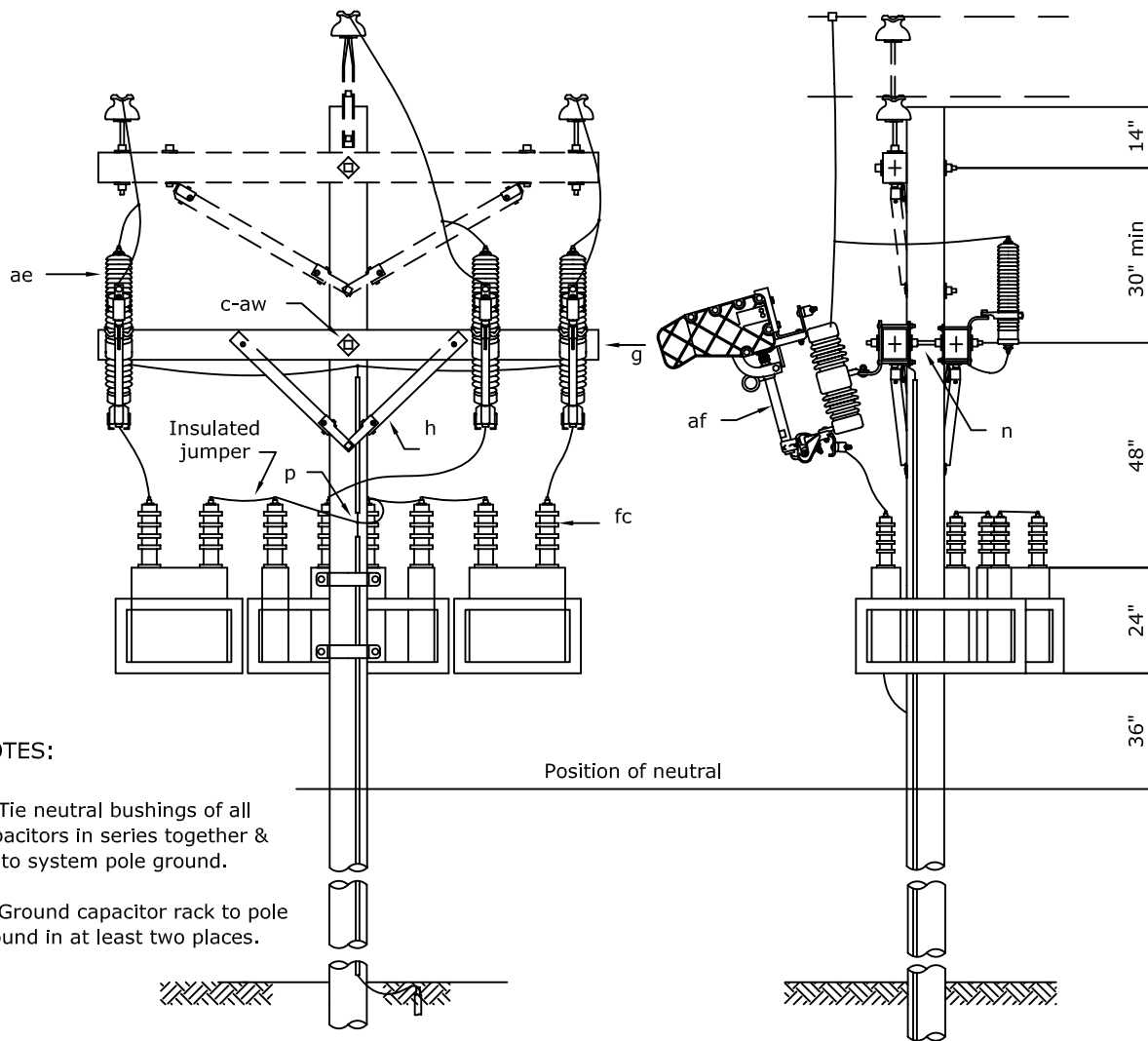
<i>City of Alexandria</i>  <i>Electric Distribution</i>	LIGHTNING ARRESTERS	DATE: 04-20-07
		STANDARD NUMBER  M5-6A M5-6B



MATERIAL LIST

Item	COA Commodity Code	Description	M5-8	M5-8L
k	2857402300	Insulator, Suspension, Polymer	1	1
l	2857402140	Clamp, Deadend, Small	1	
l	2857402142	Clamp, Deadend, Large		1

<p>City of Alexandria</p> <p>Electric Distribution</p>	<p>DEADEND INSULATOR ASSEMBLIES</p>	DATE: 04-20-07
		<p>STANDARD NUMBER</p> <p>M5-8 M5-8L</p>



**NOTES:**

1- Tie neutral bushings of all capacitors in series together & tie to system pole ground.

2- Ground capacitor rack to pole ground in at least two places.

**MATERIAL LIST**

Item	COA Commodity Code	Qty.	Description
c	2857402021	4	Carriage Bolt, 3/8" x 4 1/2"
c	2857402008	4	Bolt, Machine, 1/2" x Required Length
c	28574020XM	6	Bolt, Machine, 5/8" x Required Length
d	2857402322	6	Washer, 2 1/4" Square With 13/16" Hole
g	2857802041	1	Crossarm, 3 3/4" x 4 3/4" x 8' or 10', Wood
h	2857802044	4	Brace, 28", Wood
j	2857402320	2	Lag Screw, 1/2" x 4"
n	28574020XD	4	Bolt, Double Arming, 5/8" x Required Length
p	28574022XX	8	Connector, Sized As Required (If Required)
ae	2850302004	3	Lightning Arrester, Distribution Class, 10kV (With Bracket)
af	2852820010	3	Cutout, 15kV, 100A Loadbreak with Mounting Bracket
fc	SO-DH-FC	1	Capacitor Assembly, Sized as Specified

City of  
Alexandria

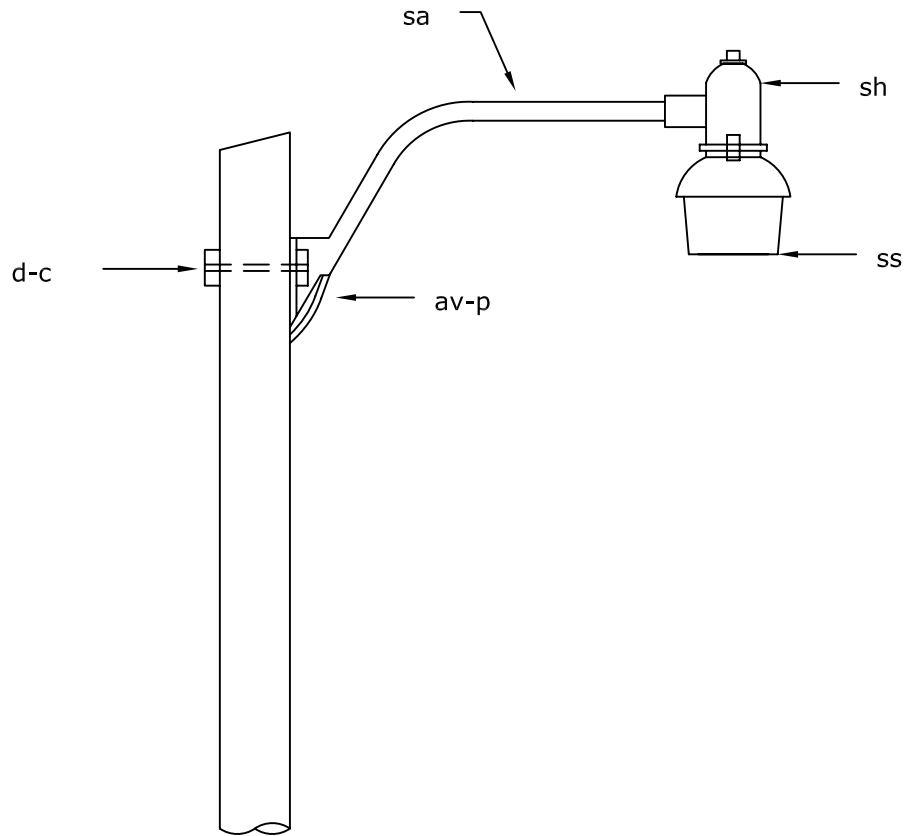
Electric Distribution

**CAPACITOR ASSEMBLY**

DATE: 04-20-07

STANDARD  
NUMBER

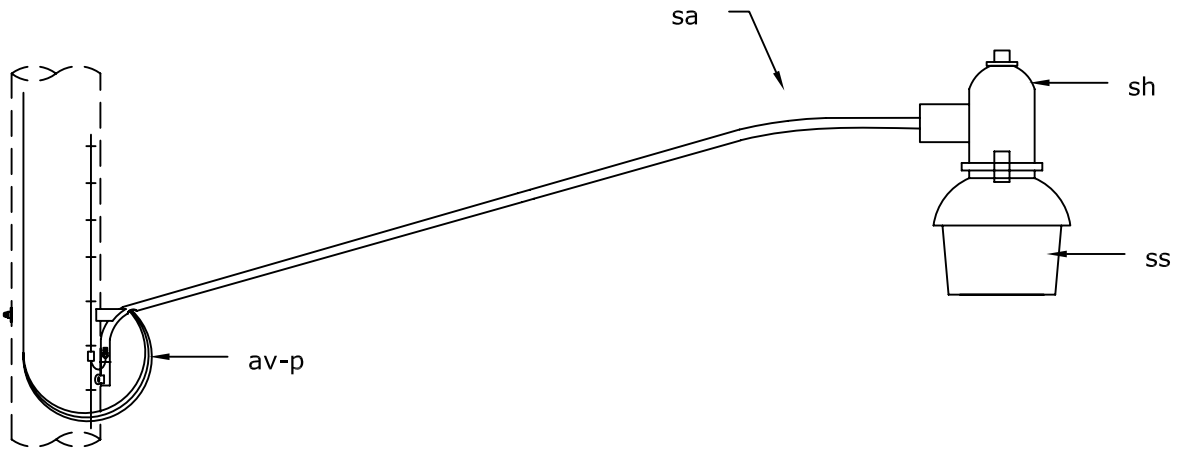
M9-13



MATERIAL LIST

Item	COA Commodity Code	Qty.	Description
p	28574022XX	2	Connector, Sized As Required
av	2802402115	10	Jumper, #12 THHN, Black
av	2802402117	10	Jumper, #12 THHN, White
sa	2857602050	1	Street Light Arm, 30"
sh	2857602047	1	Street Light Head, 100W HPS
ss	2857602048	1	Shade, Acrylic
-	2855002370	1	Lamp, 100W High Pressure Sodium
-	2852702052	1	Photo Cell

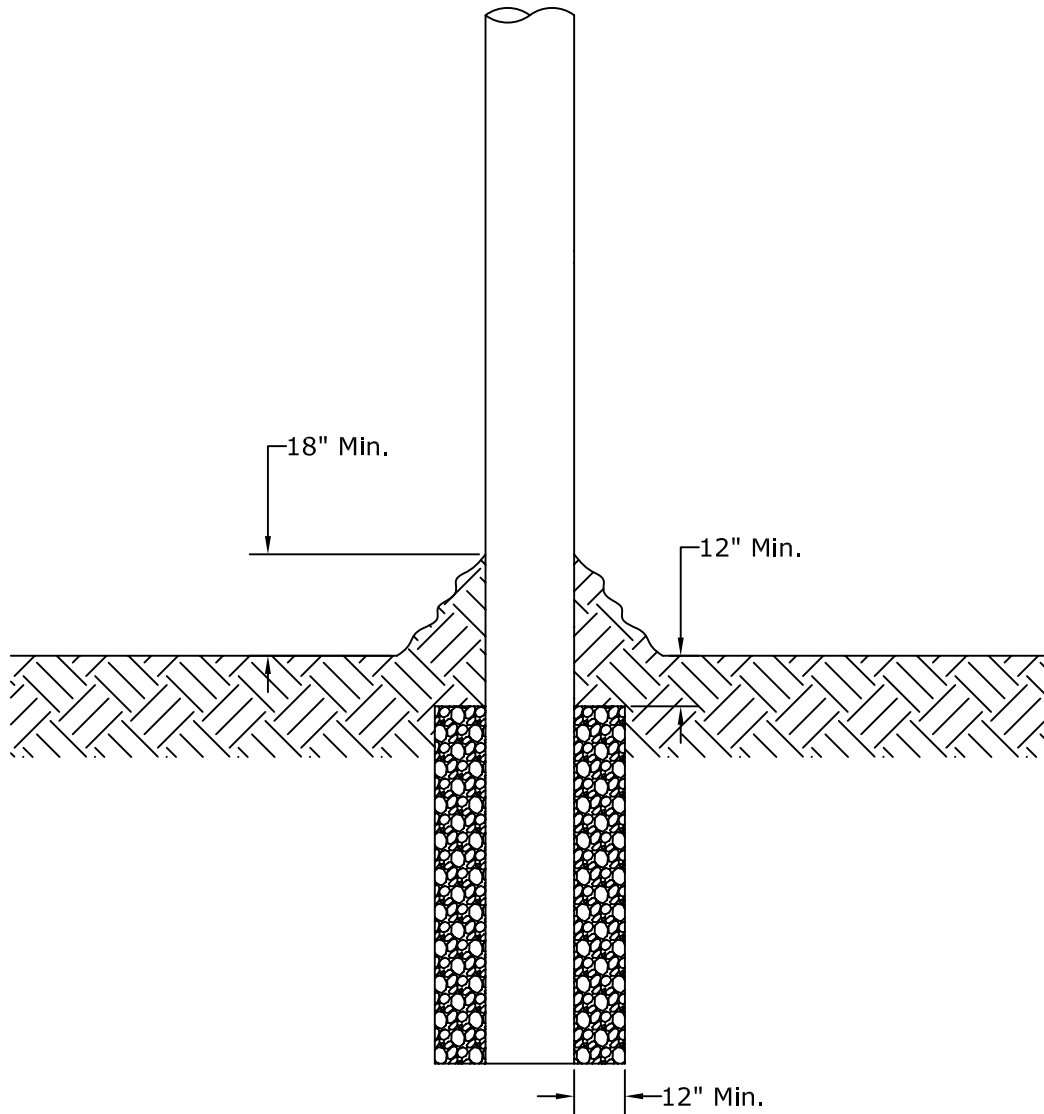
<p>City of Alexandria</p> <p>Electric Distribution</p>	<p>SECURITY LIGHT 100W HIGH PRESSURE SODIUM</p>	DATE: 04-20-07
		<p>STANDARD NUMBER</p> <p>M26-1</p>



MATERIAL LIST

Item	COA Commodity Code	Qty.	Description
p	28574022XX	2	Connector, Sized As Required
av	2802402115	12	Jumper, #12 THHN, Black
av	2802402117	12	Jumper, #12 THHN, White
sa	2857602051	1	Street Light Arm, 6'
sh	2857602047	1	Street Light Head, 100W HPS
ss	2857602048	1	Shade, Acrylic
-	2855002370	1	Lamp, 100W High Pressure Sodium
-	2852702052	1	Photo Cell

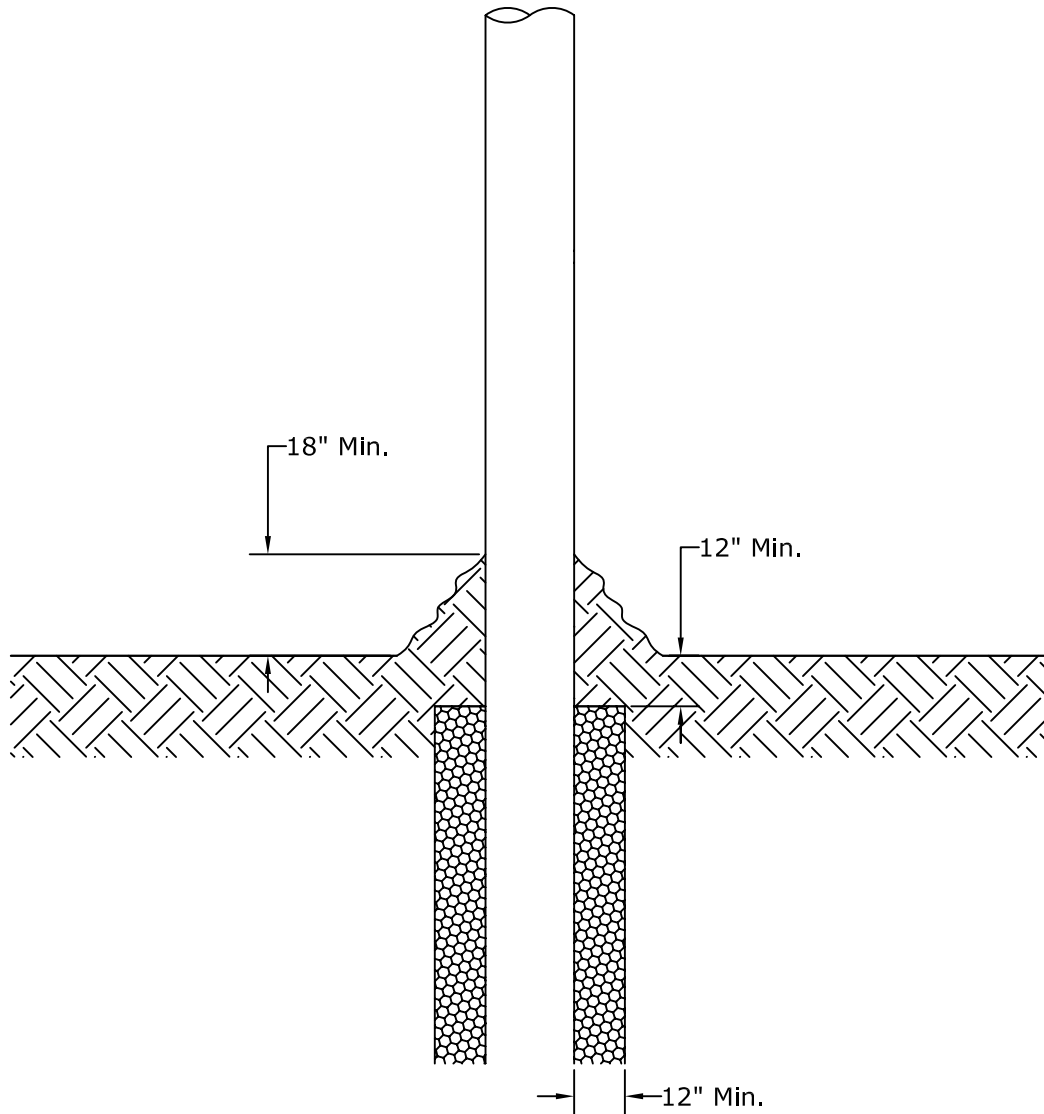
<p>City of Alexandria</p> <p>Electric Distribution</p>	<p>NEIGHBORHOOD LIGHT 100W HIGH PRESSURE SODIUM</p>	DATE: 04-20-07
		<p>STANDARD NUMBER</p> <p>M26-2</p>



MATERIAL LIST

Item	COA Commodity Code	Qty.	Description
-	SO-MISC-LA610	2	Crushed Rock Backfill, DGA or Better (Per Cubic Yard)

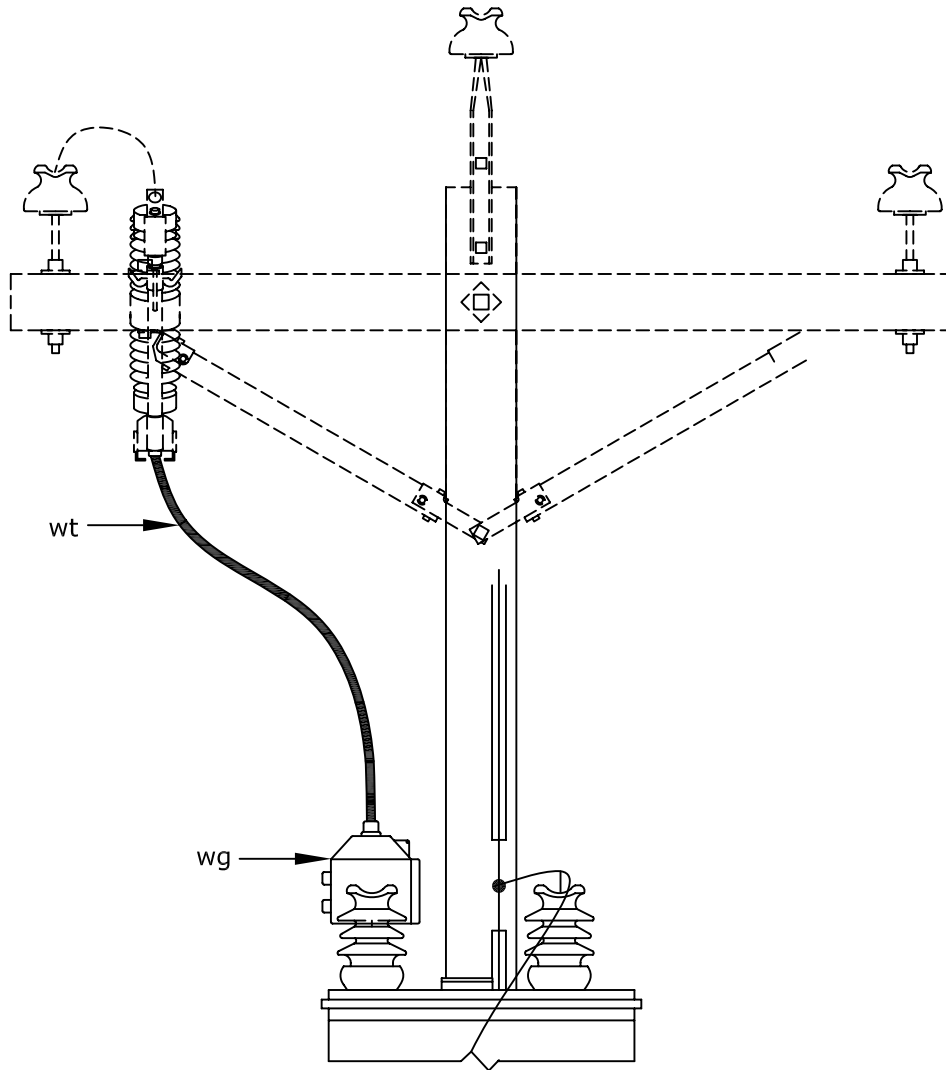
<p><i>City of Alexandria</i></p> <p><i>Electric Distribution</i></p>	<p>CRUSHED ROCK BACKFILL</p>	DATE: 02-07-05
		<p>STANDARD NUMBER</p> <p>M-101</p>



MATERIAL LIST

Item	COA Commodity Code	Description	M-102	M-102L
-	2851502496	Polecrete Stabilizer, 1 Gallon Kit	1	
-	2851502497	Polecrete Stabilizer, 3 Gallon Kit		1

<p>City of Alexandria</p> <p>Electric Distribution</p>	<p>EXPANDING FOAM BACKFILL</p>	DATE: 04-20-07
		<p>STANDARD NUMBER</p> <p>M-102</p>



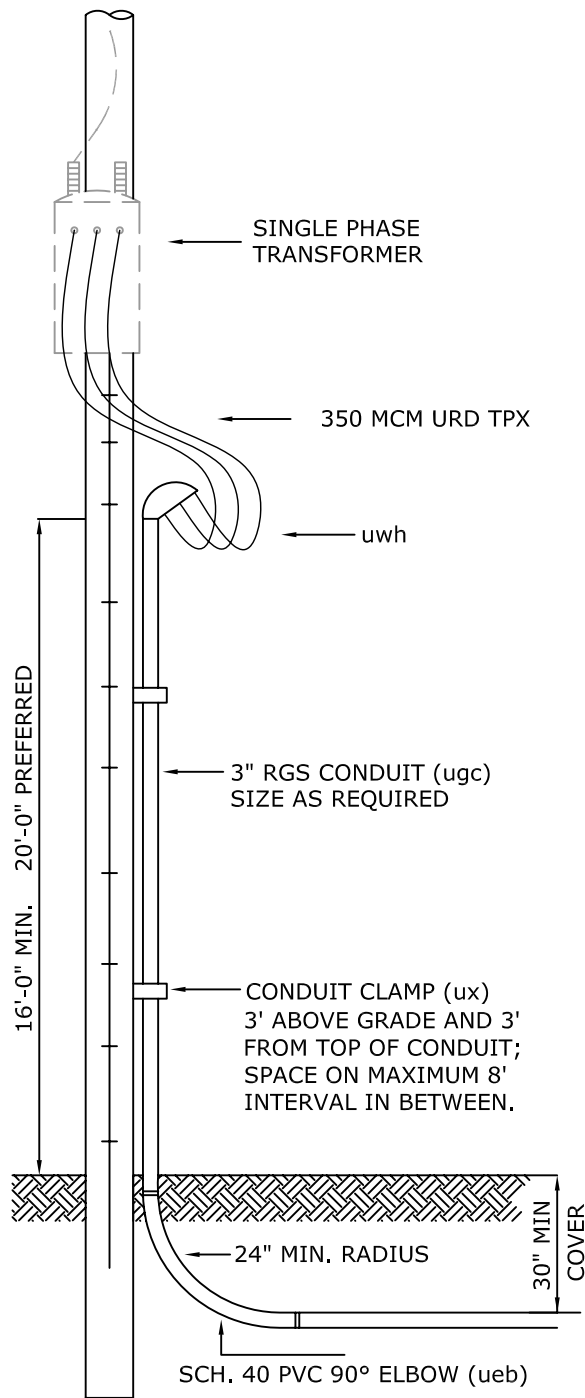
NOTE: Install wildlife guard over connector and first skirt of transformer bushing.  
Do not install guard lower than first bushing!

MATERIAL LIST

Item	COA Commodity Code	Qty.	Description
av	2801602475	6	Jumper, #6 Solid Copper, 5kV Coated
wg	2859902329	1	Wildlife Guard, 5.5"

<p>City of Alexandria</p> <p>Electric Distribution</p>	<p>WILDLIFE PROTECTION ASSEMBLY</p>	DATE: 04-19-07
		<p>STANDARD NUMBER</p> <p>M-AG</p>





NOTE:  
 SCHEDULE 40 PVC DUCT MAY BE  
 UTILIZED IN LIEU OF RIGID STEEL  
 BELOW GRADE ONLY.

MATERIAL LIST

Item	COA Commodity Code	Qty.	Description
p	28574022XX	3	Connector, Sized As Required
ucp3	2851902340	1	Coupling, 3", Drive-on
ueb	2851902346	1	3", Sch. 40 PVC, 90°, 24" Sweep Elbow
uwh	SO-UG-UWH3	1	Weather Head, 3" RGS
ugc	2851902507	3	RGS Conduit, 3" x 10' Length
ux	2857802458	4	Conduit Stand-off Bracket

City of Alexandria  Electric Distribution	SINGLE-PHASE SECONDARY RISER POLE	DATE: 03-28-08
		STANDARD NUMBER  UM5-3