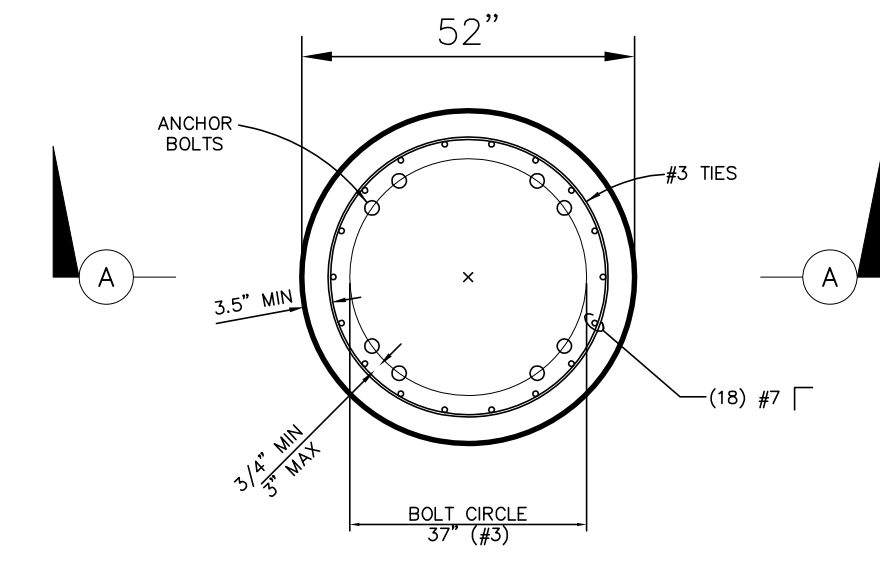


**Jackson (LA 1208-3) @ Horseshoe Roundabout
Distribution Line Relocation for State Project No. H.002672
Bid #2254 - Addendum #1**

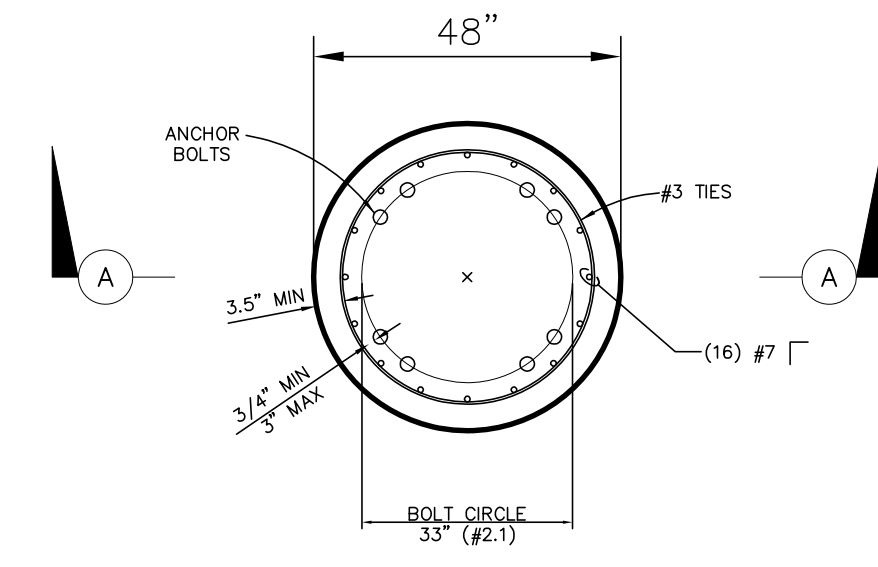
1. Steel pole foundation details are attached and incorporated by reference of this addendum.

BHA242.MXD 03/11/19



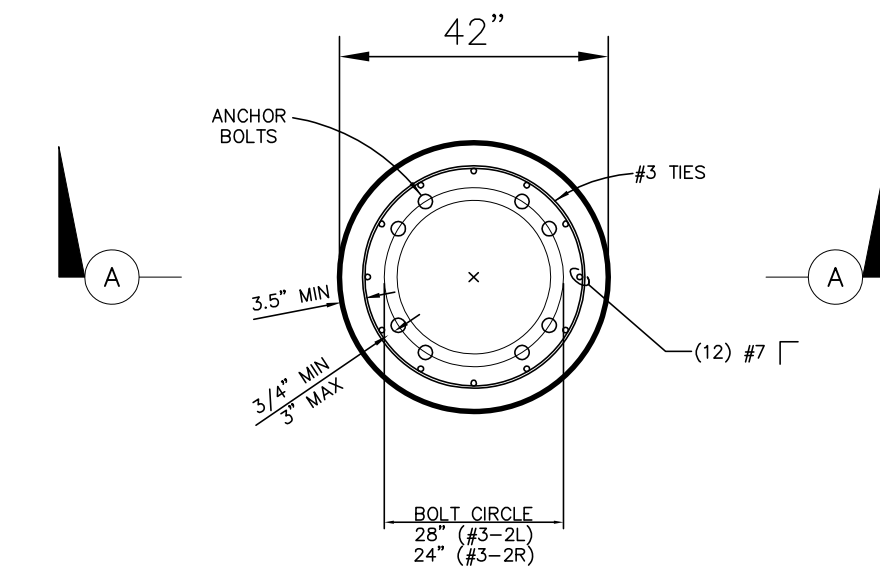
STRUCTURE #3

ANCHOR BOLT DIMENSIONS:
8 EA. 2.25" DIA. x 6'-9", PROJECTION= 9.00" (STR #3)



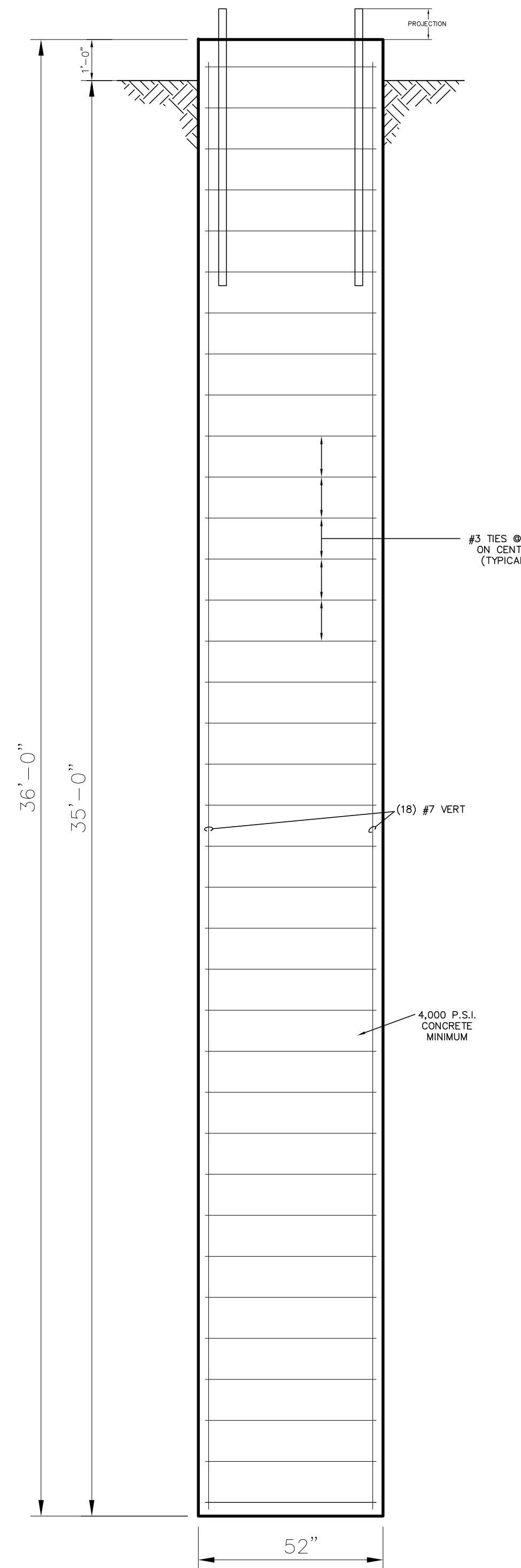
STRUCTURE #2.1

ANCHOR BOLT DIMENSIONS:
8 EA. 2.25" DIA. x 4'-3", PROJECTION= 9.00" (STR #2.1)



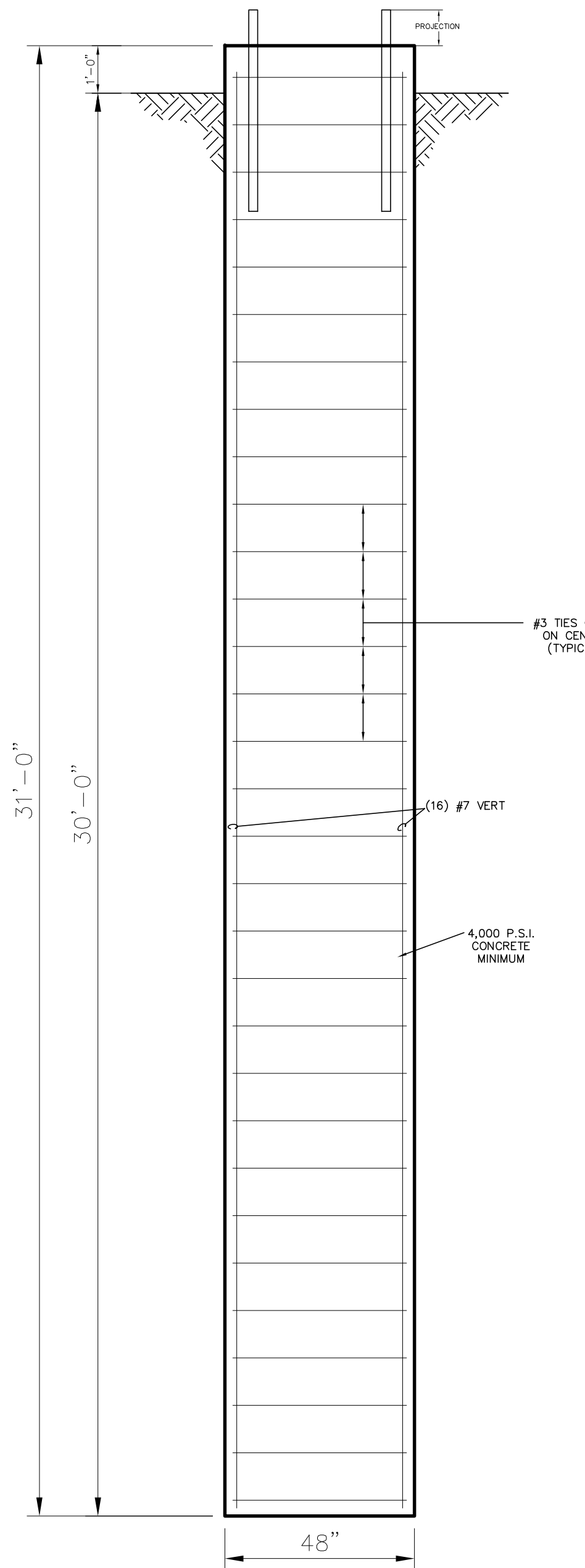
STRUCTURES #3-2L, 3-2R

ANCHOR BOLT DIMENSIONS:
8 EA. 2.25" DIA. x 4'-0", PROJECTION= 9.00" (STR #3-2L)
4 EA. 2.25" DIA. x 4'-3", PROJECTION= 8.00" (STR #3-2R)



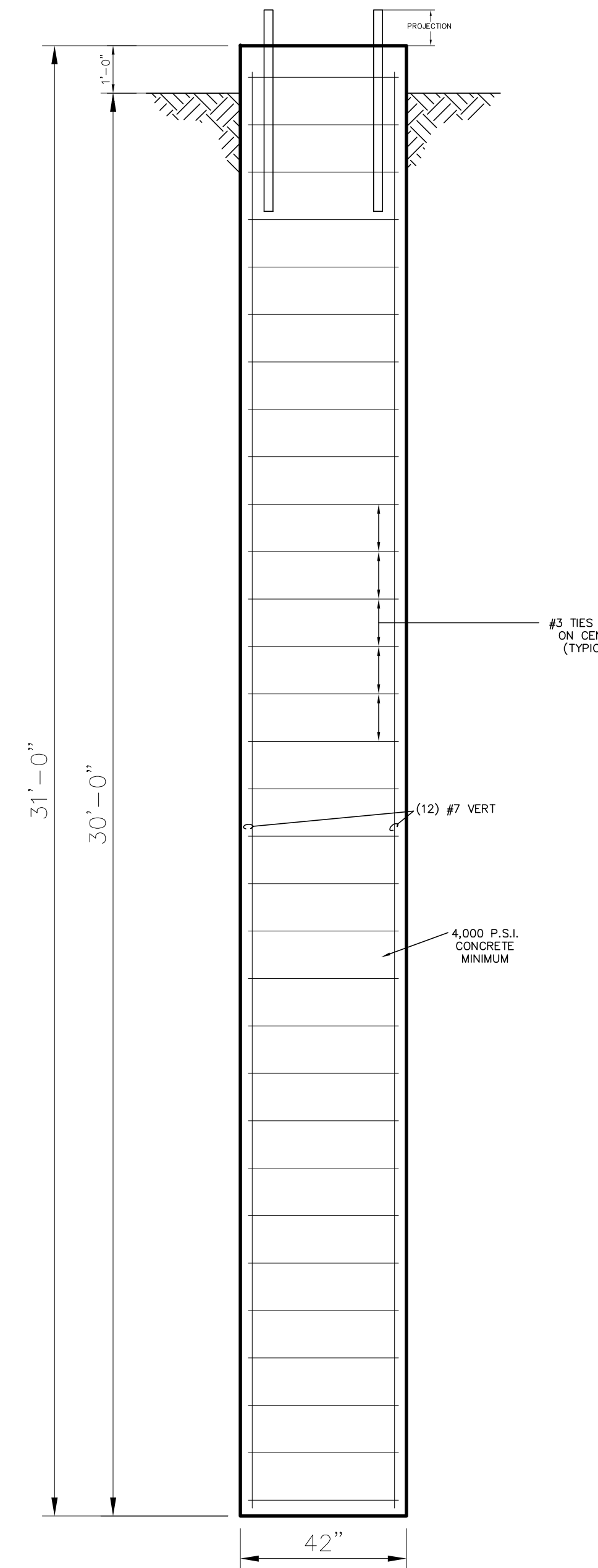
SECTION A-A
STRUCTURE #3

FND-52"X36'



SECTION A-A
STRUCTURE #2.1

FND-48"X31'



SECTION A-A
STRUCTURES #3-2L, 3-2R

FND-42"X31'

				JACKSON (LA 1208-3) @ HORSESHOE DRIVE ROUNDABOUT FOUNDATION DETAILS CITY OF ALEXANDRIA ALEXANDRIA, LOUISIANA			
SCALE: 1"=30"		DATE: 3/11/2019		DRAWN: DLM		APPROVED: WBS	
				PROJECT NO.: 2019H15A		DRAWING NO.: 1 OF 1	
				REV.:		0	
NO.	DATE	BY	REVISIONS				